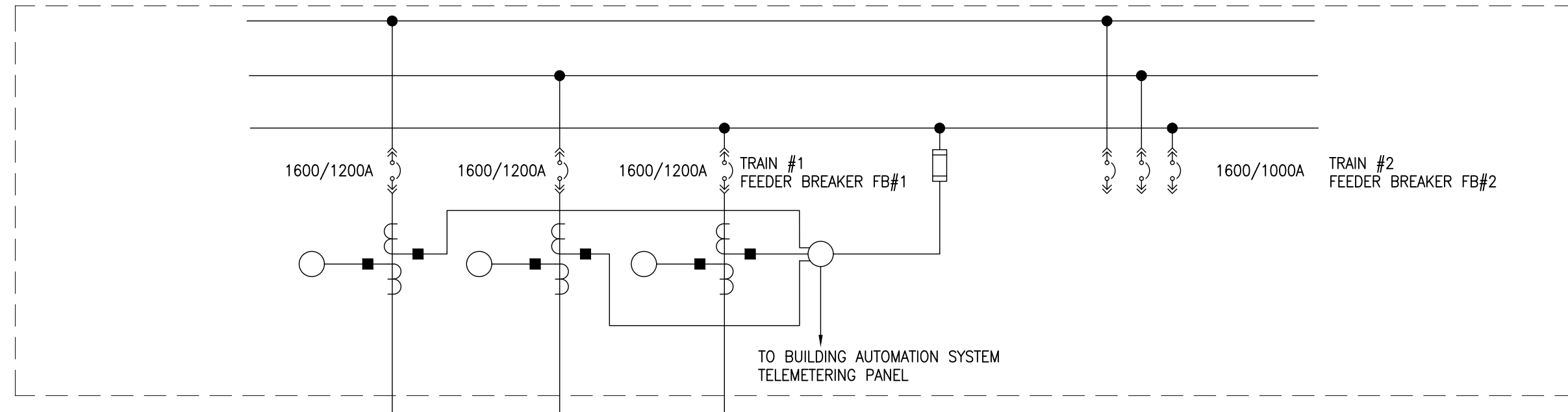


METRIC

ALL DIMENSIONS SHOWN ARE IN METRES AND/OR MILLIMETRES UNLESS OTHERWISE NOTED.

NOTE:  
THIS DRAWING IS PROVIDED FOR INSTRUCTIONAL DESIGN PURPOSES ONLY BASED ON METROLINX GO TRANSIT DESIGN GUIDELINES AND REQUIREMENTS. THE CONSULTANT SHALL VERIFY FOR LOCAL CODE COMPLIANCE, EXISTING SITE CONDITIONS AND INTER DISCIPLINARY DRAWING COORDINATION. ALL DIMENSIONS AND SPECIFICATIONS SHOULD BE VERIFIED BY CONSULTANT AND/OR CONTRACTOR BEFORE ACTUAL CONSTRUCTION BEGINS.

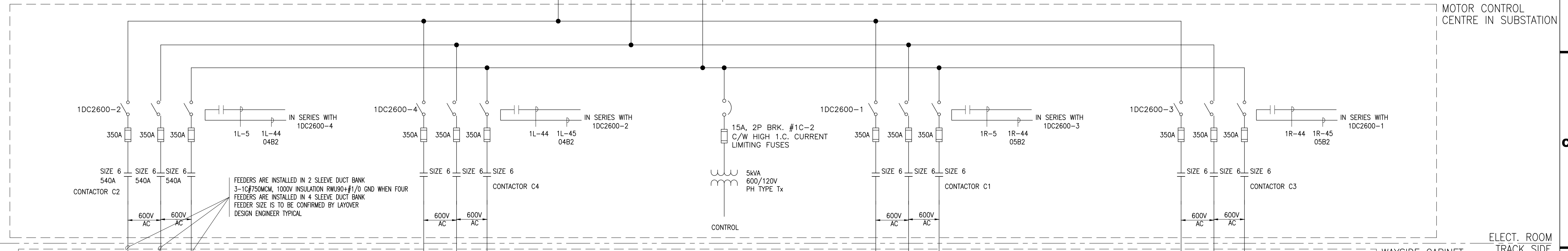


600V SWITCHGEAR IN SUBSTATION

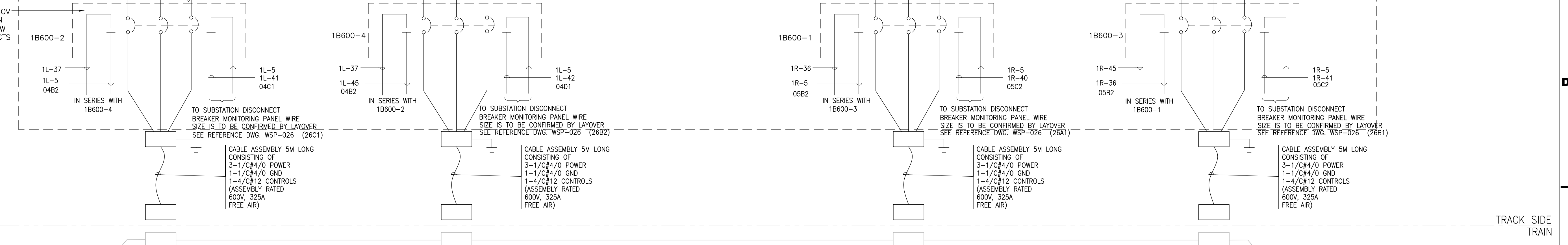
GENERAL NOTES:

- CONSULTANTS ARE TO REVIEW ALL WIRE SIZING TO TAKE INTO ACCOUNT; DERATING AND 3% MAXIMUM VOLTAGE DROP FACTORS. WIRE SIZES AND QUANTITIES ARE SUGGESTIONS ONLY! MAKE SURE THERE ARE SPARES.
- COMPONENT CROSS REFERENCES SHOWN AS: XXXY WHERE "XX" REPRESENTS FINAL 2 DIGITS OF REFERENCE DRAWING # AND "YY" REPRESENTS QUADRANT LOCATION ON DWG. I.E. 02C1 = WSP-001 QUAD. C1
- CONSULTANTS ARE TO RE NUMBER THE DRAWING TO FOLLOW THEIR DRAWING SET NUMBERING. THEY WILL MODIFY THE CO ORDINATE REFERENCES TO REFLECT THE DRAWING NUMBERING. THE DRAWINGS ARE TO BE STAMPED AS PART OF THE SET.
- REFER TO ELECTRIFICATION STANDARDS AND SPECIFICATIONS FOR GROUNDING AND BONDING, EM/EMF WITHSTAND REQUIREMENTS, CABLING REQUIREMENTS.

2 RUNS OF 3-1C#750MCM TECK CABLE IN CABLE TRAY. CONTRACTOR TO PROVIDE TERMINATION LUGS INCLUDING CONNECTION LUGS IN MCC. FEEDER SIZE IS TO BE CONFIRMED BY DESIGN ENGINEER



MOTOR CONTROL CENTRE IN SUBSTATION



WAYSIDE CABINET



TRACK SIDE TRAIN

EMS PLUG CONNECTED TO WAYSIDE CABINET FEEDS BACK THROUGH WAYSIDE CABINET & MCC TO TELEMETERING CABINET 2 CONDUCTOR 36V DC (30B5)

WAYSIDE CONTROL CIRCUIT 600 DISCONNECT CIRCUIT BREAKER #1DB-2 WIRING DIAGRAM (TYPICAL)

WAYSIDE CONTROL CIRCUIT 600 DISCONNECT CIRCUIT BREAKER #1DB-4 WIRING DIAGRAM (TYPICAL)

WAYSIDE CONTROL CIRCUIT 600 DISCONNECT CIRCUIT BREAKER #1DB-1 WIRING DIAGRAM (TYPICAL)

WAYSIDE CONTROL CIRCUIT 600 DISCONNECT CIRCUIT BREAKER #1DB-3 WIRING DIAGRAM (TYPICAL)

GO TRANSIT PROJECT NO. XXXXX

AutoCAD drawing: WSP-001.dwg Aug 15/18 12:25pm

DWG NO.	TITLE	REV.	DATE	ISSUED FOR

REV.	DATE	DESCRIPTION
5	FEB. 2018	UPDATES AND ADDITIONS
4	DEC 2013	DISCLAIMER NOTE
3	MAR 2013	UPDATES AND ADDITONS
2	JULY 2012	NOMENCLATURE REVISION
1	SEPT.2010	GENERAL REVISIONS

DRAWN BY:	DESIGNED BY:
CHECKED BY:	APPROVED BY:
SCALE: N.T.S.	FULL SIZE ONLY



<p>XXXXXX WAYSIDE POWER THREE LINE DIAGRAM</p>			
CONTRACT NO. XX-20XX-EN-XXX	DWG. NO. WSP-001	REV. 5	SHEET XX