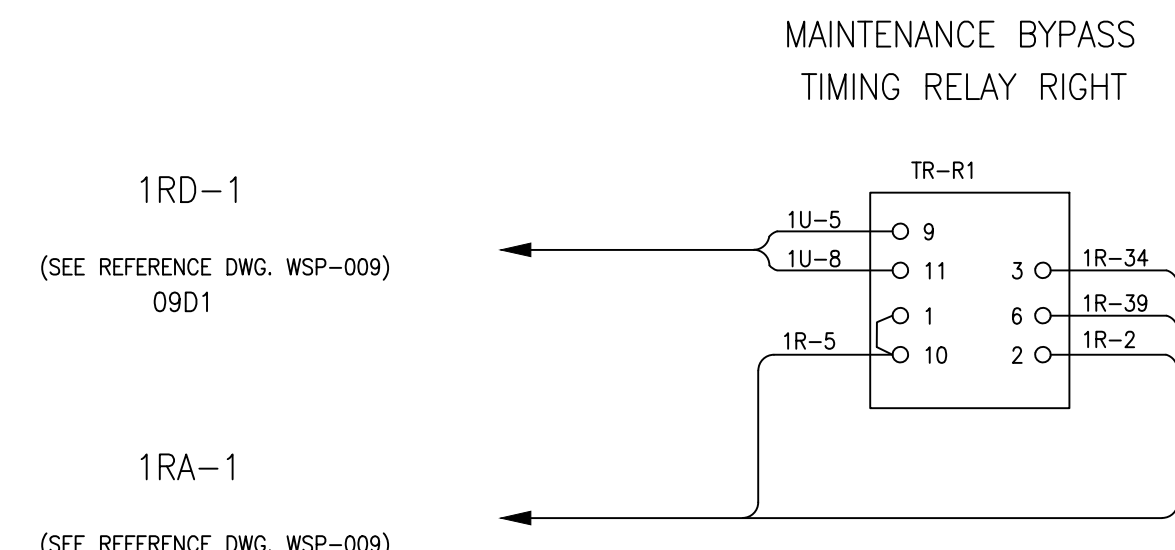


ELECTRICAL ROOM
MOTOR CONTROL CENTRE
UVR PANELS

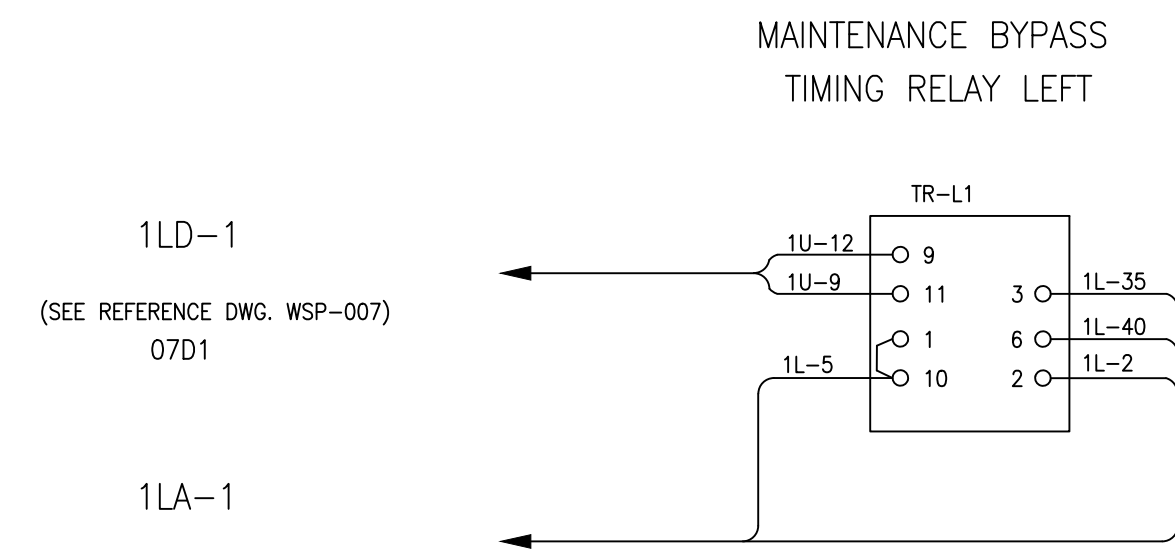
ELECTRICAL ROOM
MOTOR CONTROL CENTRE
DVR PANEL

ELECTRICAL ROOM
MOTOR CONTROL CENTRE
TRANSFORMER PANEL

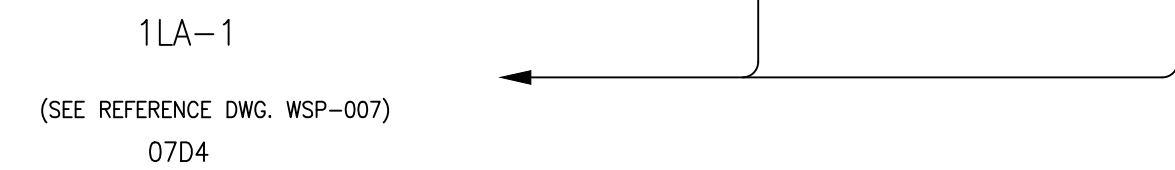
METRIC
ALL DIMENSIONS SHOWN ARE
IN METRES AND/OR MILLIMETRES
UNLESS OTHERWISE NOTED.



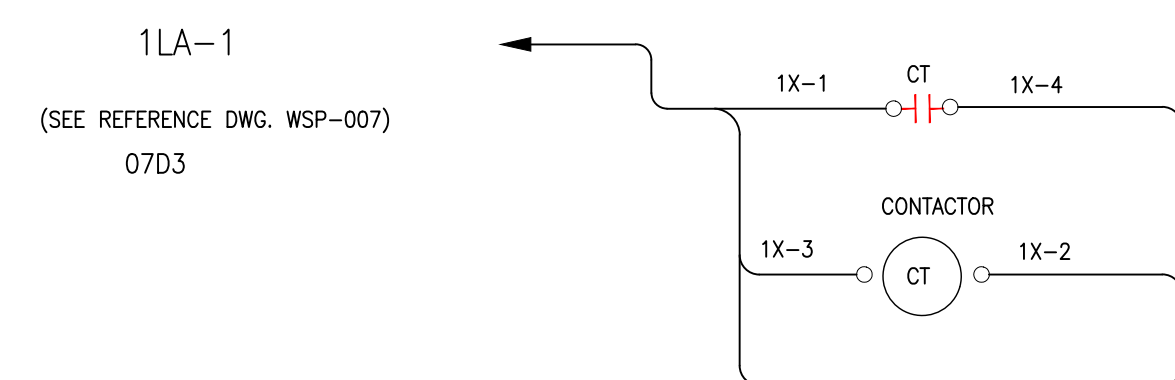
1RD-1
(SEE REFERENCE DWG. WSP-009)
09D1



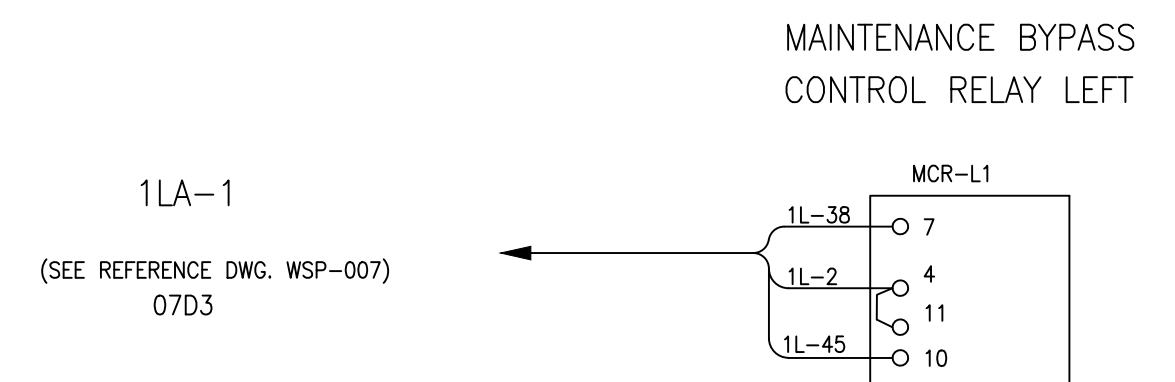
1LD-1
(SEE REFERENCE DWG. WSP-007)
07D1



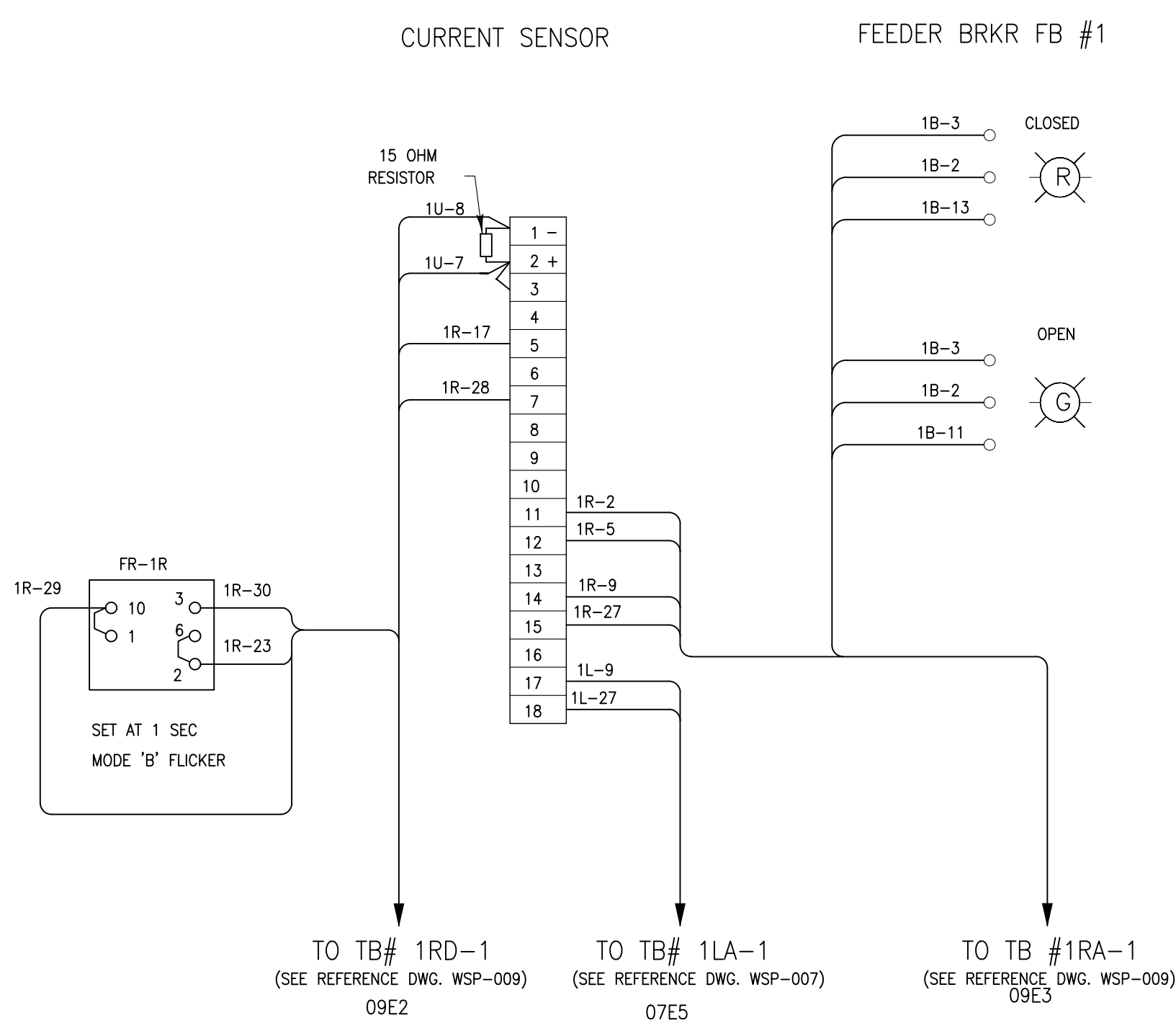
1LA-1
(SEE REFERENCE DWG. WSP-007)
07D4



1RA-1
(SEE REFERENCE DWG. WSP-009)
09D4



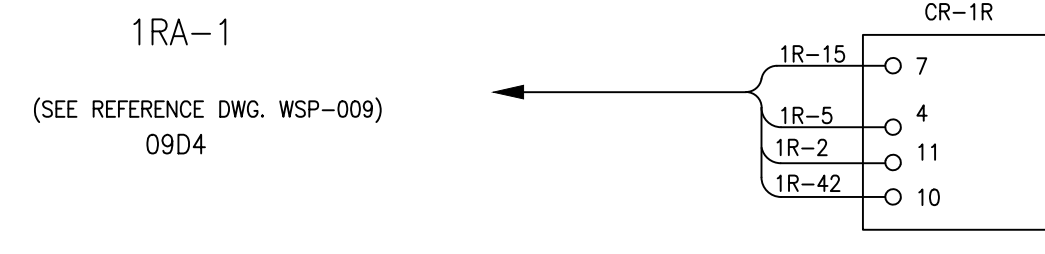
1LA-1
(SEE REFERENCE DWG. WSP-007)
07D3



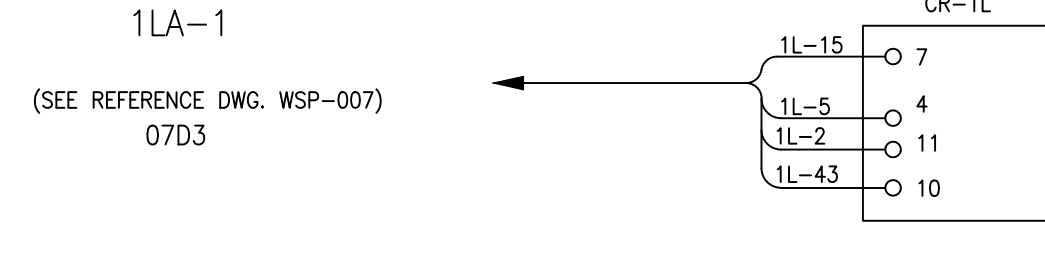
TO TB# 1RD-1
(SEE REFERENCE DWG. WSP-009)
09E2

TO TB# 1LA-1
(SEE REFERENCE DWG. WSP-007)
07E5

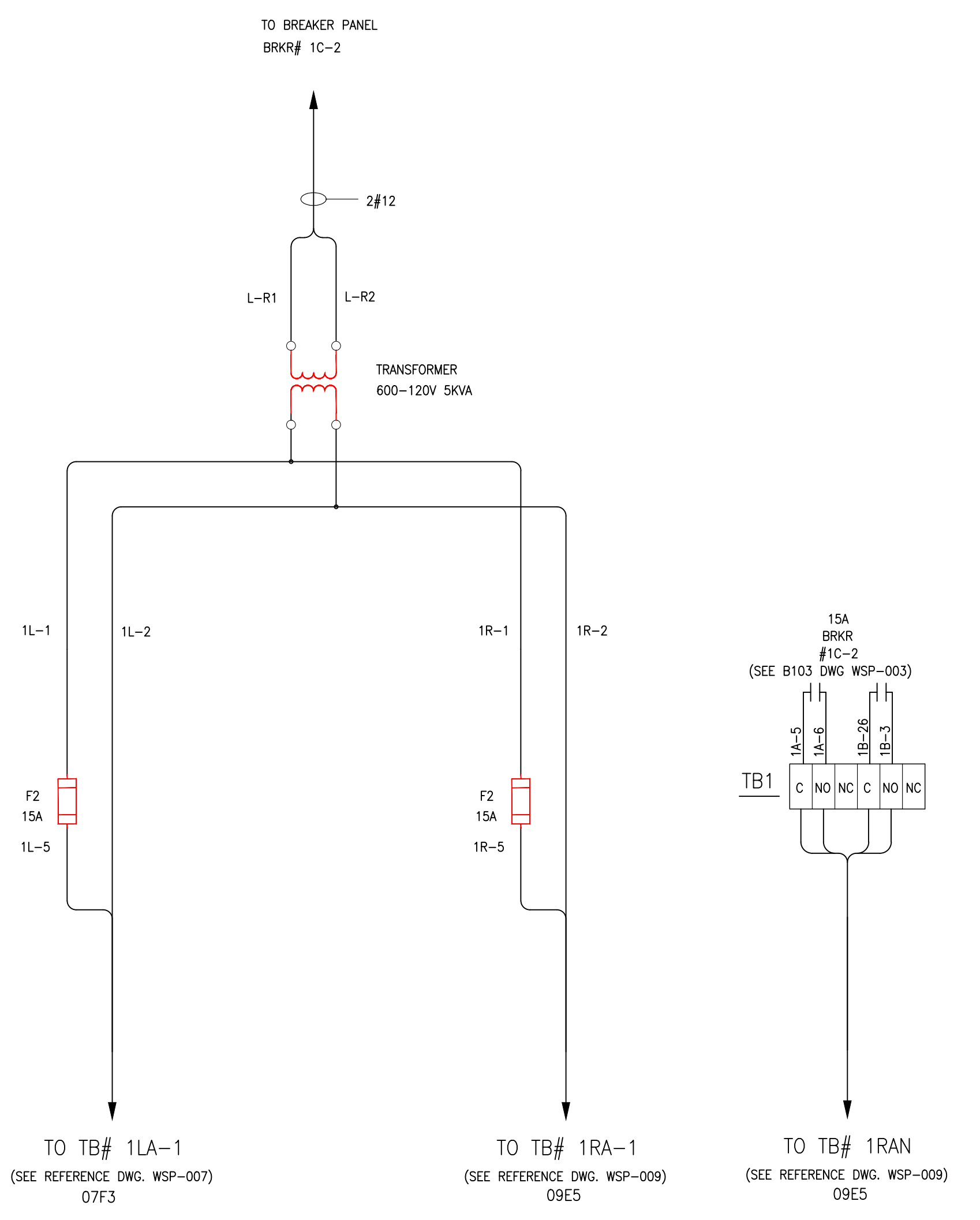
TO TB #1RA-1
(SEE REFERENCE DWG. WSP-009)
09E3



1RA-1
(SEE REFERENCE DWG. WSP-009)
09D4



1LA-1
(SEE REFERENCE DWG. WSP-007)
07D3



TO TB# 1LA-1
(SEE REFERENCE DWG. WSP-007)
07F3

TO TB# 1RA-1
(SEE REFERENCE DWG. WSP-009)
09E5

TO TB# 1RAN
(SEE REFERENCE DWG. WSP-009)
09E5

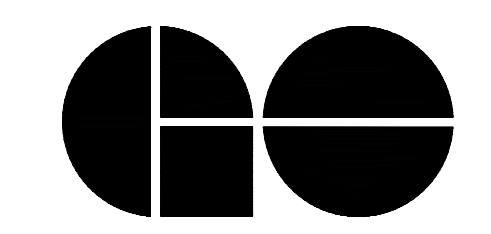
NOTE:
THIS DRAWING IS PROVIDED FOR INSTRUCTIONAL DESIGN PURPOSES ONLY BASED
ON METROLINK GO TRANSIT DESIGN GUIDELINES AND REQUIREMENTS. THE
CONSULTANT SHALL VERIFY FOR LOCAL CODE COMPLIANCE, EXISTING SITE
CONDITIONS AND INTER DISCIPLINARY DRAWING COORDINATION. ALL DIMENSIONS AND
SPECIFICATIONS SHOULD BE VERIFIED BY CONSULTANT AND/OR CONTRACTOR
BEFORE ACTUAL CONSTRUCTION BEGINS.

- GENERAL NOTES:
- CONSULTANTS ARE TO REVIEW ALL WIRE SIZING TO TAKE INTO ACCOUNT; DERATING AND 3% MAXIMUM VOLTAGE DROP FACTORS. WIRE SIZES ARE SUGGESTIONS ONLY!
 - COMPONENT CROSS REFERENCES SHOWN AS: XXXY WHERE "XX" REPRESENTS FINAL 2 DIGITS OF REFERENCE DRAWING # AND "YY" REPRESENTS QUADRANT LOCATION ON DWG. I.E. 02C1 = WSP-001 QUAD. C1
 - REFER TO ELECTRIFICATION STANDARDS AND SPECIFICATIONS FOR GROUNDING AND BONDING, EMI/EMF WITHSTAND REQUIREMENTS, CABLING REQUIREMENTS.

GO TRANSIT PROJECT NO. XXXXX

AutoCAD drawing: WSP-010.dwg Aug 15/18 12:26pm

REFERENCE DRAWINGS		ISSUE		REVISIONS		DRAWN BY:	DESIGNED BY:
WSP-014	MOTOR CONTROL CENTRE ELEVATION						
				5	FEB. 2018	UPDATES AND ADDITIONS	CHECKED BY:
				4	DEC 2013	DISCLAIMER NOTE	APPROVED BY:
				3	MAR 2013	UPDATES AND ADDITIONS	
				2	JULY 2012	NOMENCLATURE REVISION	SCALE: N.T.S. FULL SIZE ONLY
				1	SEPT.2010	GENERAL REVISIONS	
DWG. NO.	TITLE	REV.	DATE	ISSUED FOR	REV.	DATE	



A Division of Metrolinx

XXXXXX PROJECT TITLE MOTOR CONTROL CENTRE DVR & TRANSFORMER PANEL WIRING DIAGRAM			
CONTRACT NO. XXXXXXXXXXXX	DWG. NO. WSP-010	REV. 5	SHEET XX