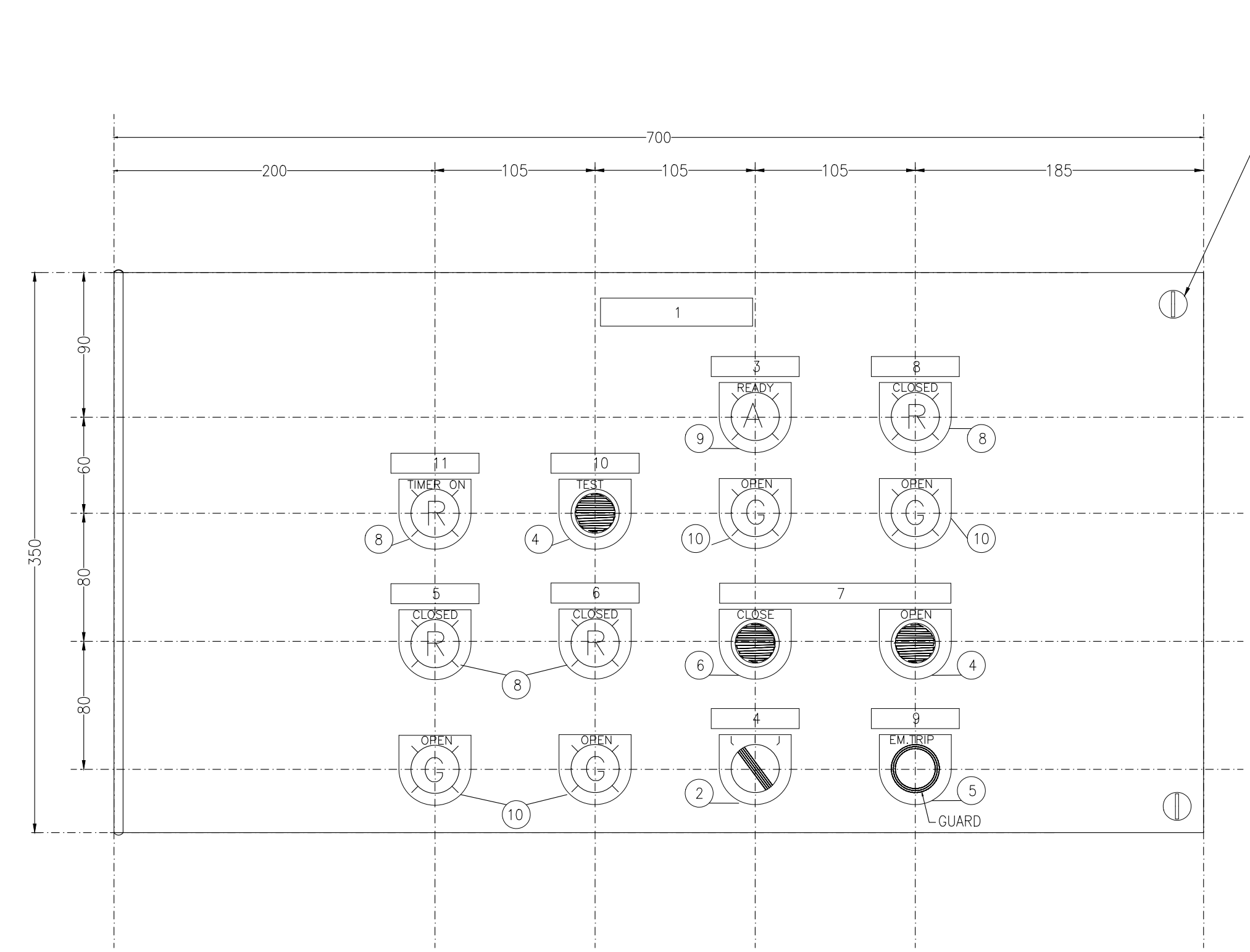
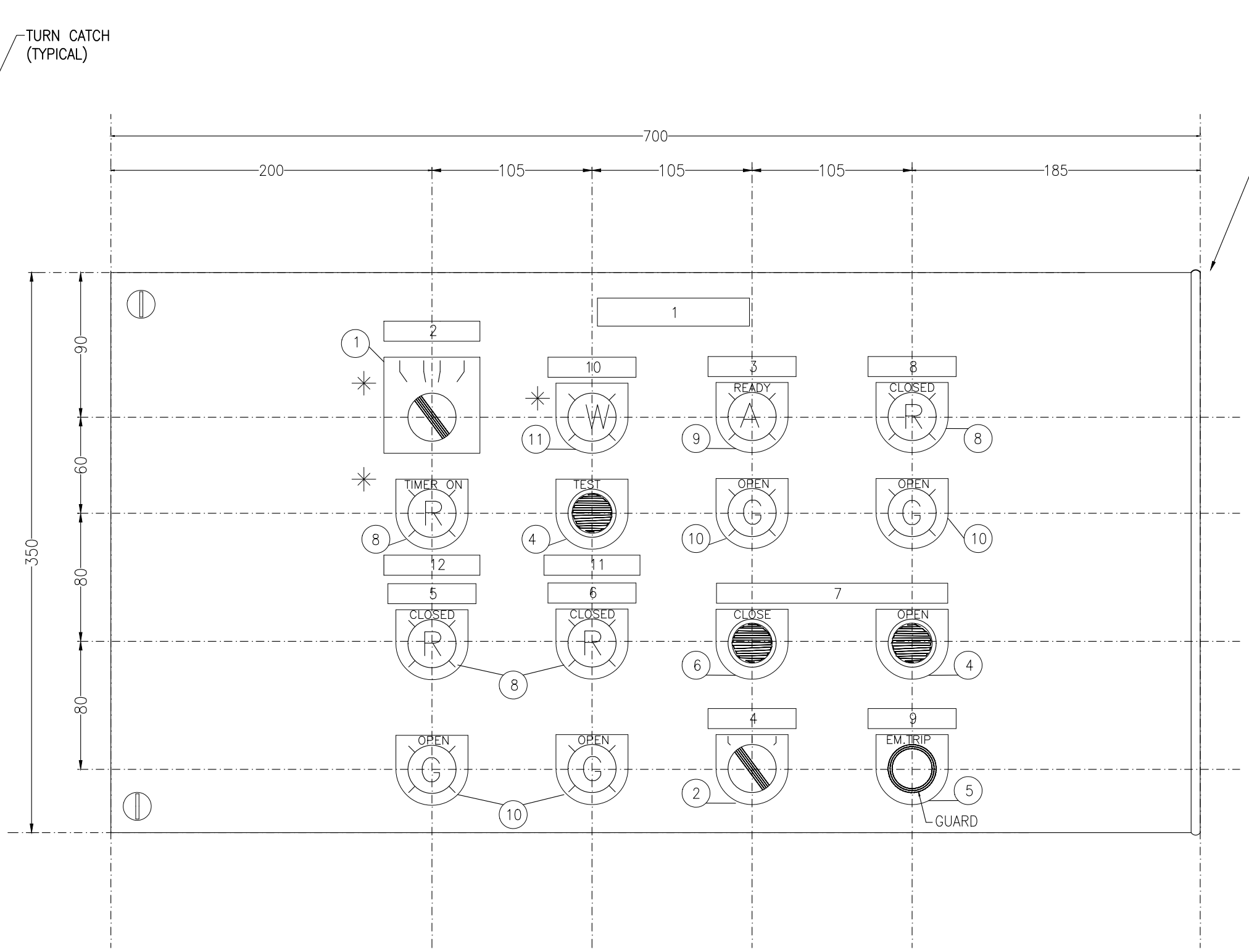


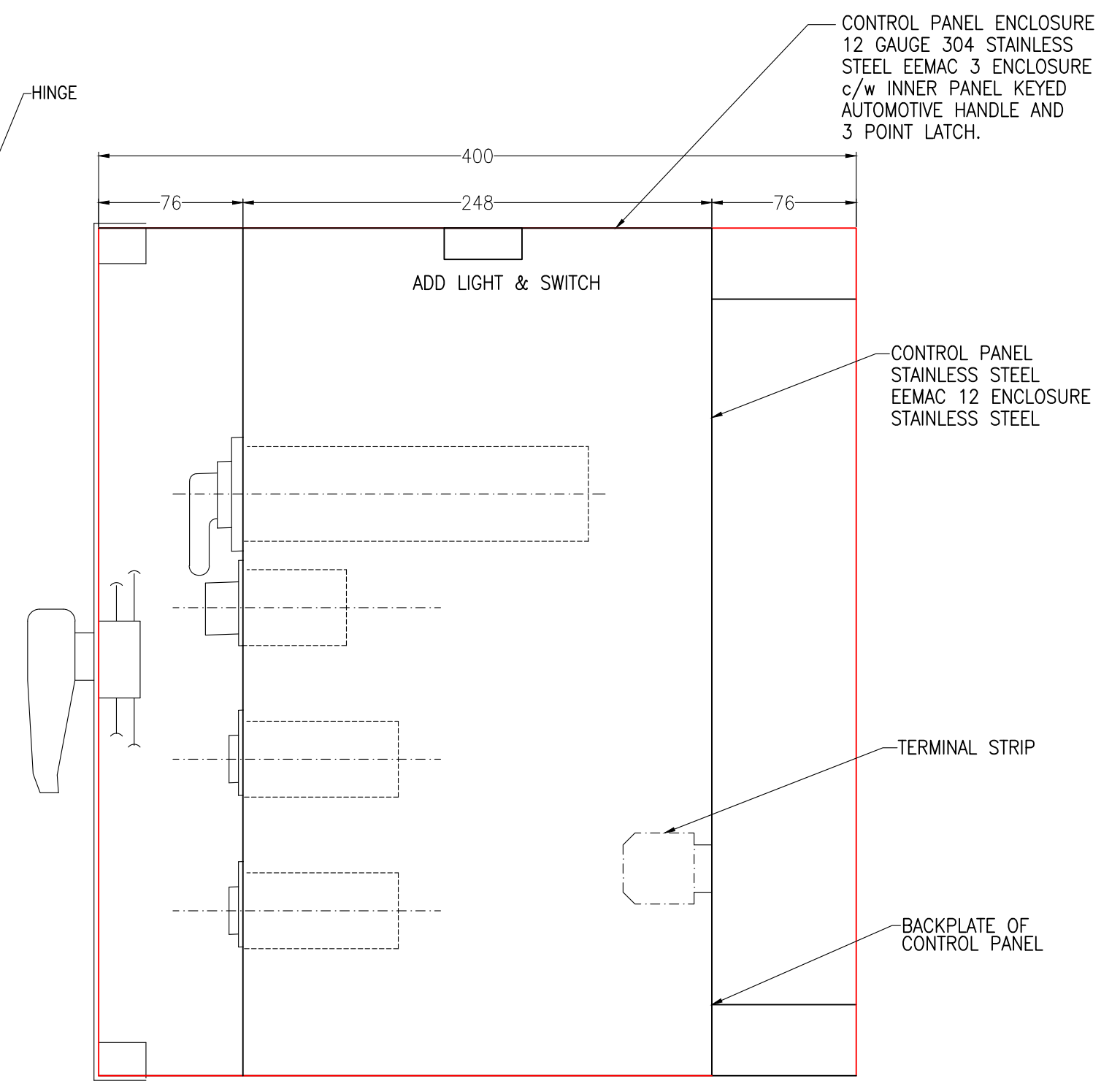
METRIC
ALL DIMENSIONS SHOWN ARE IN METRES AND/OR MILLIMETRES UNLESS OTHERWISE NOTED.



LEFT



RIGHT



SIDE DETAIL

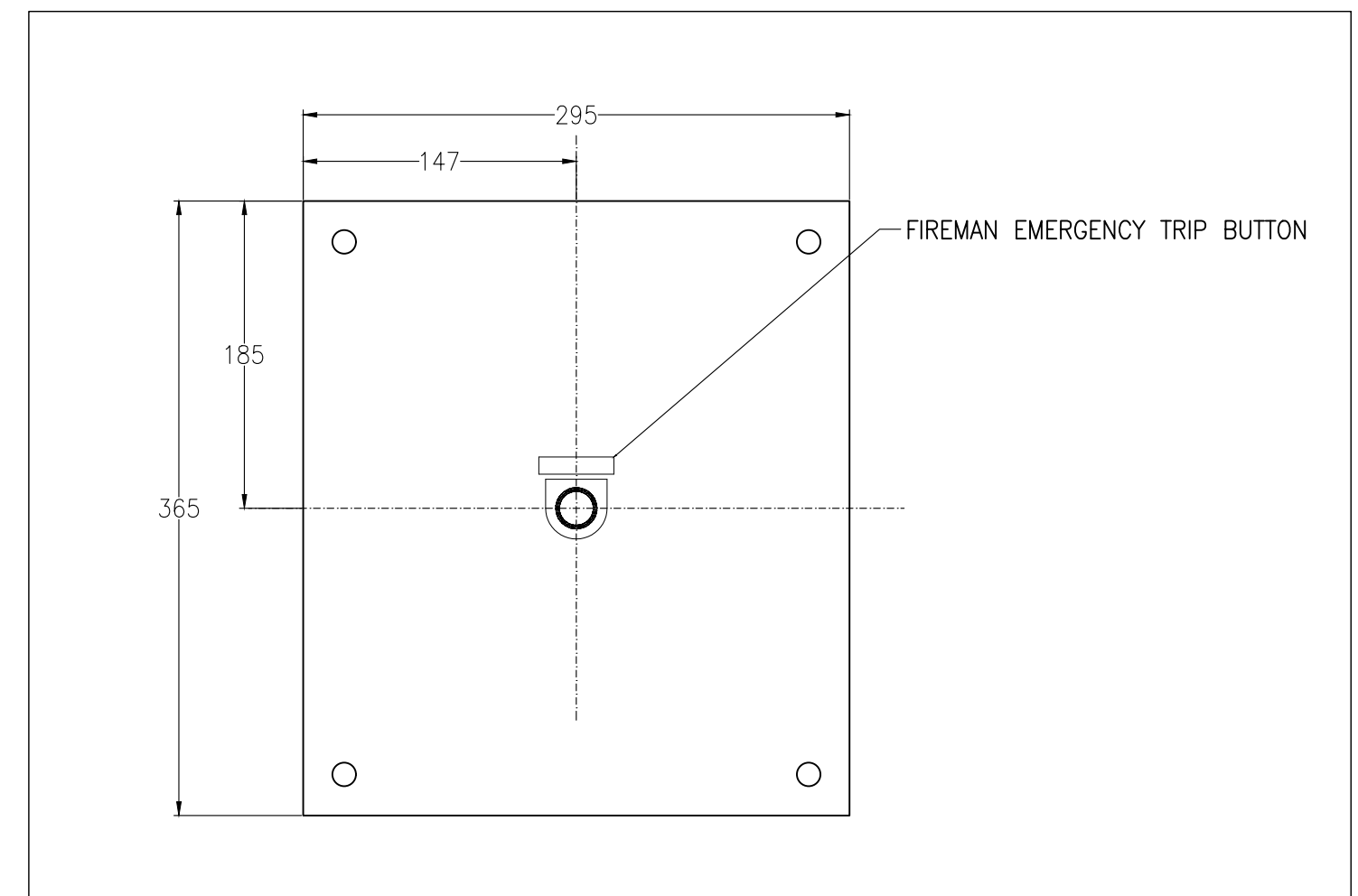
- NAME PLATE DATA FOR LEFT SIDE**
- TRAIN No.1 LEFT
 - UVR LOOP
 - CONTROL SSW-1L
OFF- CONTROL- CONTROL - POWER
STATUS ON ON
 - CONTACTOR No.2
 - CONTACTOR No.4
 - CONTACTOR No.2 & No.4
 - FEEDER BRKR No. FB #1 MAIN SWITCHGEAR
 - FEEDER BRKR No. FB #1 EM.TRIP
 - UVR TEST BUTTON
 - MAINTENANCE BYPASS TIMER INDICATOR LIGHT

- NOTE:**
- CONTROL PANEL COVERS SHALL BE ON HINGES AND BOLTS.
 - ALL INDICATOR LIGHTS AND TEST BUTTONS IN CONTROL PANELS SHALL BE LED TYPES.
 - BUTTON COLOUR FOR OPEN/CLOSED CONTROL PANELS SHALL BE LED TYPES. COLOUR.

- NAME PLATE DATA FOR RIGHT SIDE**
- TRAIN No.1 RIGHT
 - UVR SELECTOR SSW-1U
OFF-2 PLUG-4 PLUG-4 PLUG
1 LOOP 1 LOOP 2 LOOP
 - UVR LOOP
 - CONTROL SSW-1R
OFF-CONTROL- CONTROL- POWER
STATUS ON ON
 - CONTACTOR No.1
 - CONTACTOR No.3
 - CONTACTOR No.1 & No.3
 - FEEDER BRKR No. FB #1 MAIN SWITCHGEAR
 - FEEDER BRKR No. FB #1 EM.TRIP
 - CABLES NOT CONNECTED PROPERLY
 - UVR TEST BUTTON
 - MAINTENANCE BYPASS TIMER INDICATOR LIGHT

- GENERAL NOTES:**
- ALL INDICATOR LIGHTS AND TEST BUTTONS IN CONTROL PANELS SHALL BE LED TYPES. GASKETED AND WATER PROOFED.
 - COMPONENT CROSS REFERENCES SHOWN AS: XXYY WHERE "XX" REPRESENTS FINAL 2 DIGITS OF REFERENCE DRAWING # AND "YY" REPRESENTS QUADRANT LOCATION ON DWG. I.E. 02C1 = WSP-002 QUAD. C1
 - UVR SELECTOR SWITCH, 'W' PILOT LIGHT IS NOT REQUIRED ON LEFT WAYSIDE CONTROL PANEL (MARKED WITH *)
 - CONTROL PANEL COVERS SHALL BE ON HINGES AND BOLTS.
 - REFER TO ELECTRIFICATION STANDARDS AND SPECIFICATIONS FOR GROUNDING AND BONDING, EMI/EMF WITHSTAND REQUIREMENTS, CABLING REQUIREMENTS.

NOTE:
THIS DRAWING IS PROVIDED FOR INSTRUCTIONAL DESIGN PURPOSES ONLY BASED ON METROLINX GO TRANSIT DESIGN GUIDELINES AND REQUIREMENTS. THE CONSULTANT SHALL VERIFY FOR LOCAL CODE COMPLIANCE, EXISTING SITE CONDITIONS AND INTER DISCIPLINARY DRAWING COORDINATION. ALL DIMENSIONS AND SPECIFICATIONS SHOULD BE VERIFIED BY CONSULTANT AND/OR CONTRACTOR BEFORE ACTUAL CONSTRUCTION BEGINS.



1 FIREMAN PULL BOX DETAIL
9 N.T.S.

GO TRANSIT PROJECT NO. XXXXX

AutoCAD drawing: WSP-012.dwg Aug 15/18 12:26pm

REFERENCE DRAWINGS	ISSUE	REVISIONS	DRAWN BY:	DESIGNED BY:			
WSP-011	WAYSIDE STATION EQUIPMENT ARRANGEMENT 1 OF 3						
WSP-013	WAYSIDE STATION EQUIPMENT ARRANGEMENT 3 OF 3						
		5 FEB. 2018					
		4 DEC 2013					
		3 MAR 2013					
		2 JULY 2012					
		1 SEPT.2010					
DWG. NO.	TITLE	REV.	DATE	ISSUED FOR	REV.	DATE	GENERAL REVISIONS

CHECKED BY:	APPROVED BY:
SCALE: N.T.S.	FULL SIZE ONLY



XXXXXX WAYSIDE POWER WAYSIDE CABINET EQUIPMENT ARRANGEMENT 2 OF 3			
CONTRACT NO. XXXXXXXXXX	DWG. NO. WSP-012	REV. 5	SHEET XX