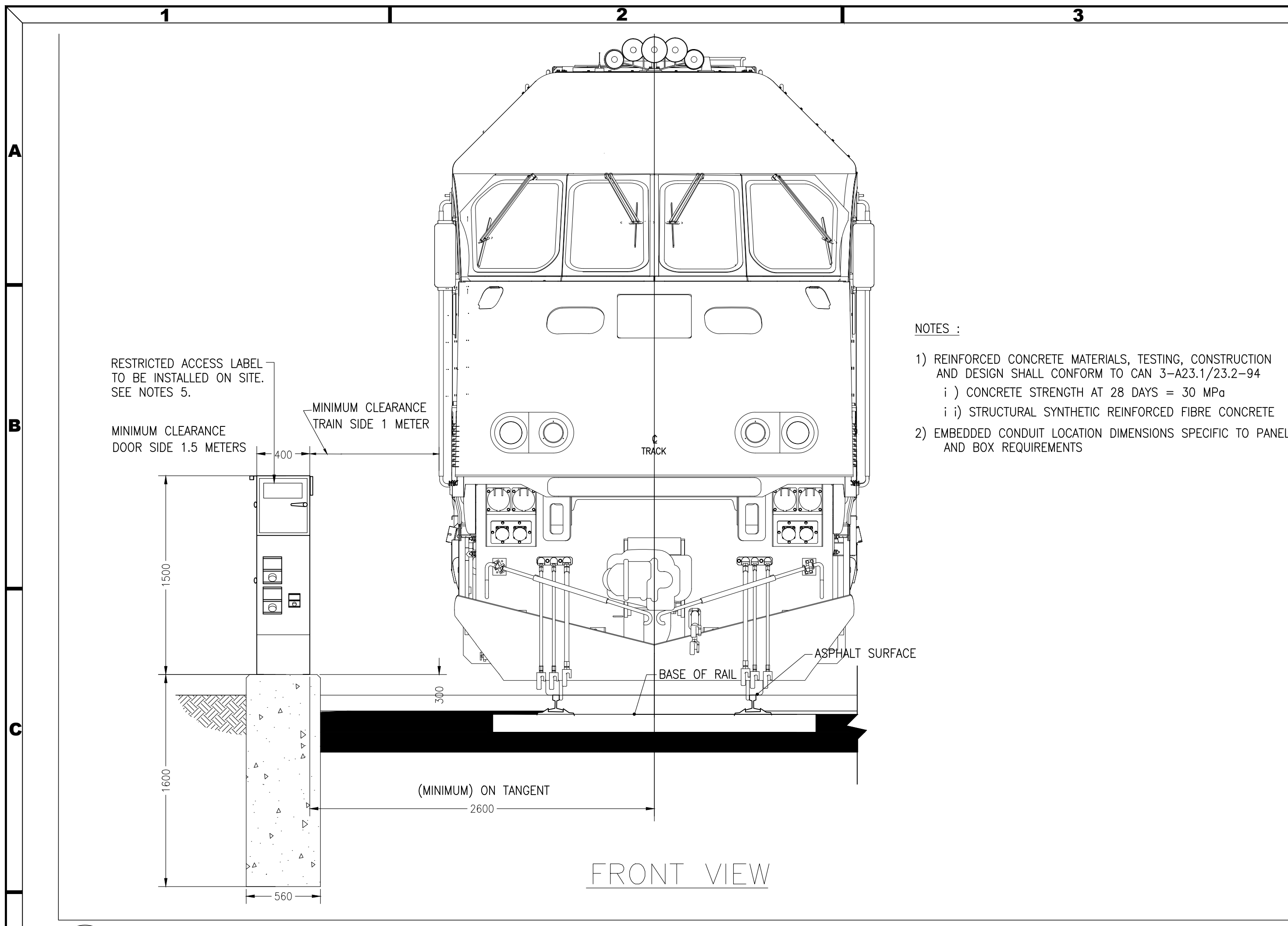
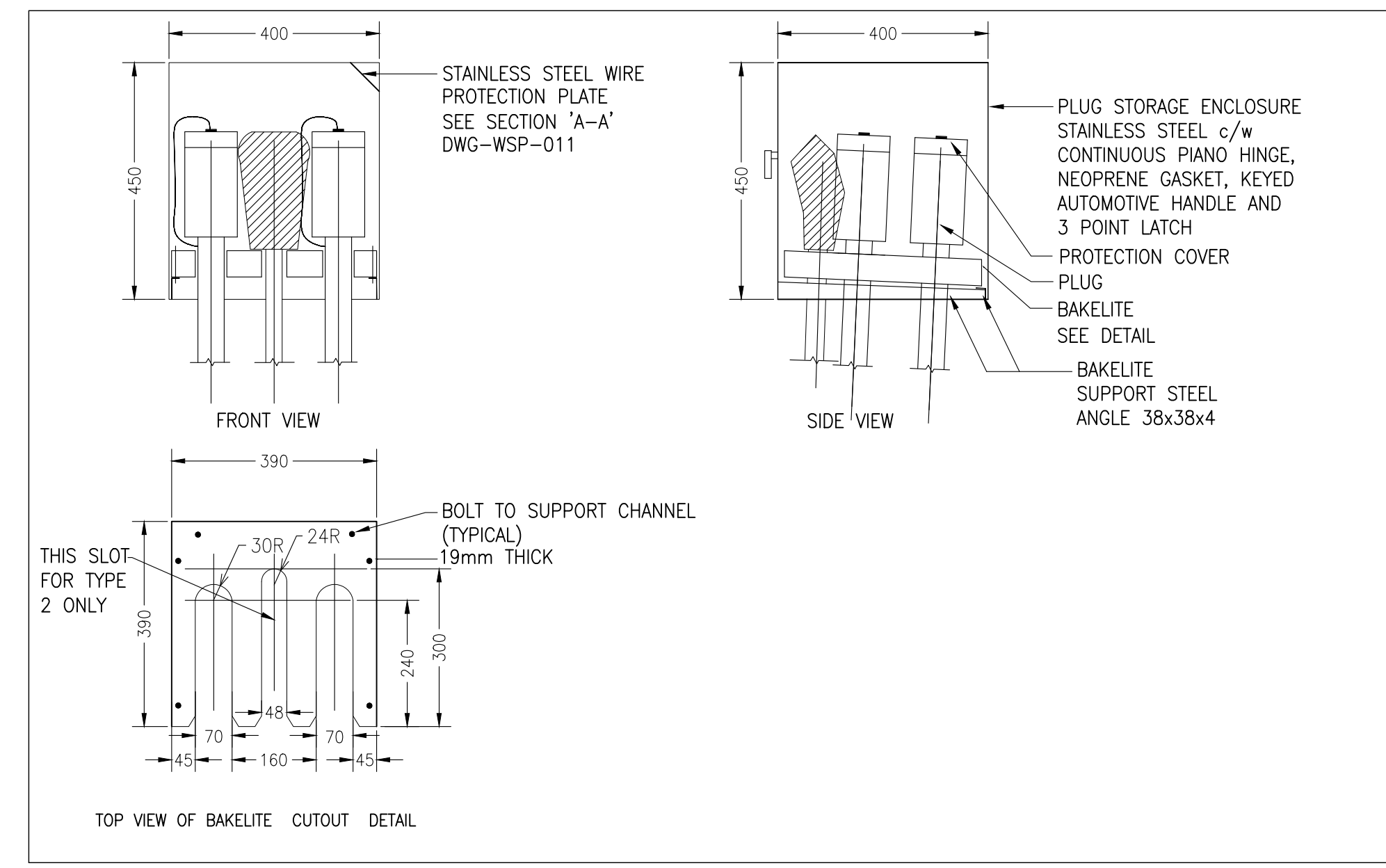


METRIC

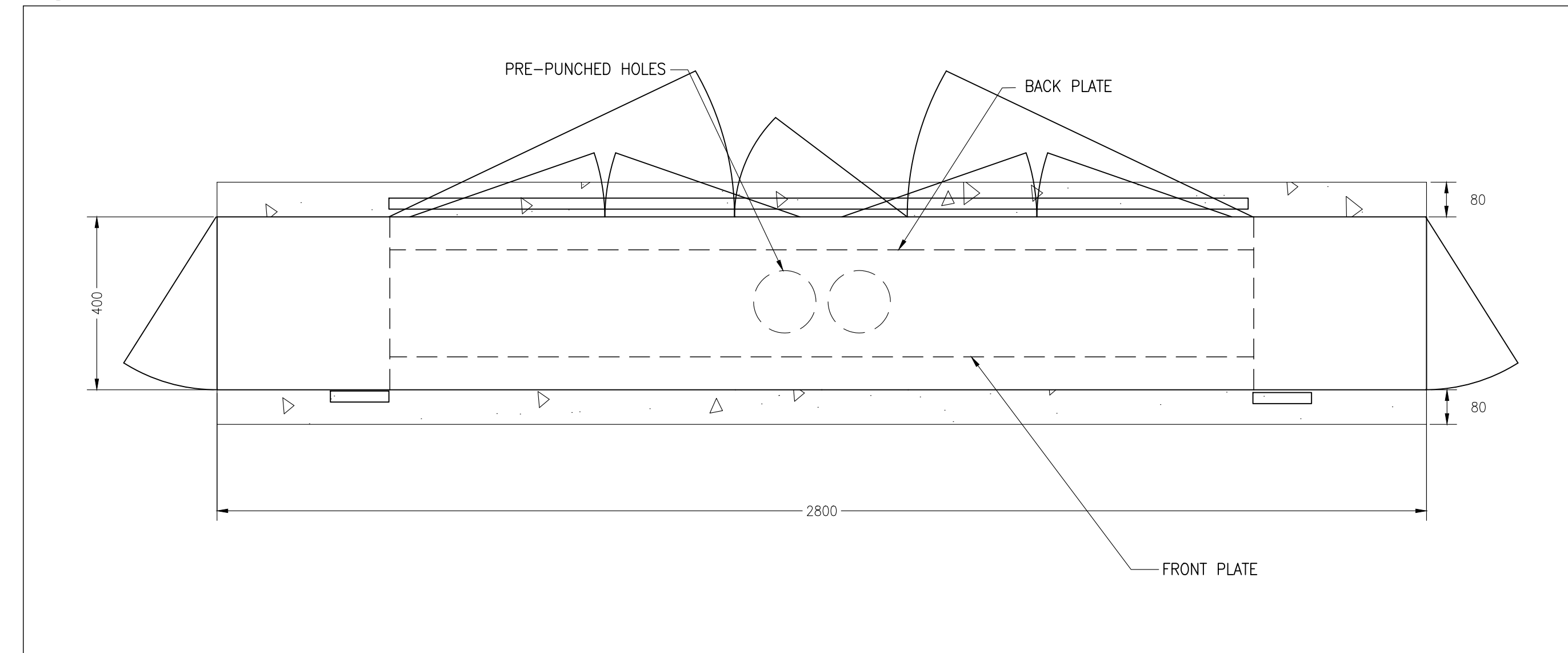
ALL DIMENSIONS SHOWN ARE IN METRES AND/OR MILLIMETRES UNLESS OTHERWISE NOTED.



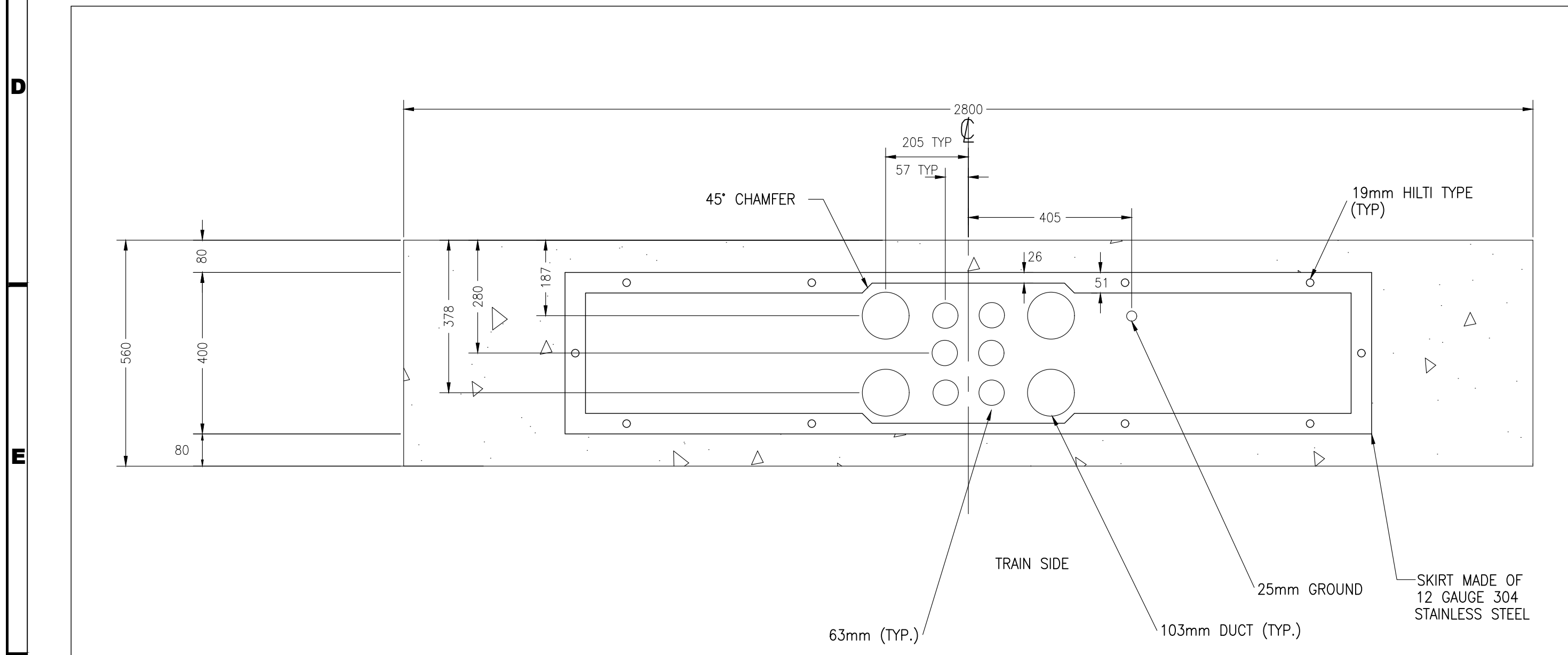
- NOTES :
- 1) REINFORCED CONCRETE MATERIALS, TESTING, CONSTRUCTION AND DESIGN SHALL CONFORM TO CAN 3-A23.1/23.2-94
 - i) CONCRETE STRENGTH AT 28 DAYS = 30 MPa
 - i i) STRUCTURAL SYNTHETIC REINFORCED FIBRE CONCRETE
 - 2) EMBEDDED CONDUIT LOCATION DIMENSIONS SPECIFIC TO PANEL AND BOX REQUIREMENTS



2 PLUG-STORAGE ENCLOSURE DETAIL
10 1:10



4 CABINET DOOR SWING LAYOUT
10 1:10



3 CABINET BASE DETAIL LAYOUT
10 1:10

- GENERAL NOTES:
1. CONSULTANTS ARE TO REVIEW ALL WIRE SIZING TO TAKE INTO ACCOUNT; DERATING AND 3% MAXIMUM VOLTAGE DROP FACTORS. WIRE SIZES ARE SUGGESTIONS ONLY!
 2. COMPONENT CROSS REFERENCES SHOWN AS: XXXY WHERE "XX" REPRESENTS FINAL 2 DIGITS OF REFERENCE DRAWING # AND "YY" REPRESENTS QUADRANT LOCATION ON DWG. I.E. 02C1 = WSP-002 QUAD. C1
 3. ALL DIMENSIONS ARE TO BE CONFIRMED AFTER THE WAYSIDE ASSEMBLY CONFIGURATION IS FINALIZED.
 4. SEAL DUCT OPENINGS WITH DUXSEAL AT WAYSIDE CABINET BASE.
 5. LABEL SUPPLIED AND INSTALLED BY CONTRACTOR.
 6. REFER TO ELECTRIFICATION STANDARDS AND SPECIFICATIONS FOR GROUNDING AND BONDING, EMI/EMFF WITHSTAND REQUIREMENTS, CABLING REQUIREMENTS.

NOTE:
THIS DRAWING IS PROVIDED FOR INSTRUCTIONAL DESIGN PURPOSES ONLY BASED ON METROLINX GO TRANSIT DESIGN GUIDELINES AND REQUIREMENTS. THE CONSULTANT SHALL VERIFY FOR LOCAL CODE COMPLIANCE, EXISTING SITE CONDITIONS AND INTER DISCIPLINARY DRAWING COORDINATION. ALL DIMENSIONS AND SPECIFICATIONS SHOULD BE VERIFIED BY CONSULTANT AND/OR CONTRACTOR BEFORE ACTUAL CONSTRUCTION BEGINS.

GO TRANSIT PROJECT NO. XXXXX

Aug 15/18 12:26pm
AutoCAD drawing: WSP-013.dwg

DWG. NO.	TITLE	REV.	DATE	ISSUED FOR	REV.	DATE	GENERAL REVISIONS
WSP-011	EQUIPMENT ARRANGEMENT 1 OF 3				5	FEB. 2018	UPDATES AND ADDITIONS
WSP-012	EQUIPMENT ARRANGEMENT 2 OF 3				4	DEC 2013	DISCLAIMER NOTE
					3	MAR 2013	UPDATES AND ADDITIONS
					2	JULY 2012	NOMENCLATURE REVISION
					1	SEPT.2010	GENERAL REVISIONS

DRAWN BY:	DESIGNED BY:
CHECKED BY:	APPROVED BY:
SCALE: N.T.S	FULL SIZE ONLY



XXXXXX WAYSIDE POWER WAYSIDE CABINET EQUIPMENT ARRANGEMENT 3 OF 3			
CONTRACT NO. XXXXXXXXXXXX	DWG. NO. WSP-013	REV. 5	SHEET XX