

TRAIN #1

RIGHT RELAY PANEL  
LOCATED IN MCC

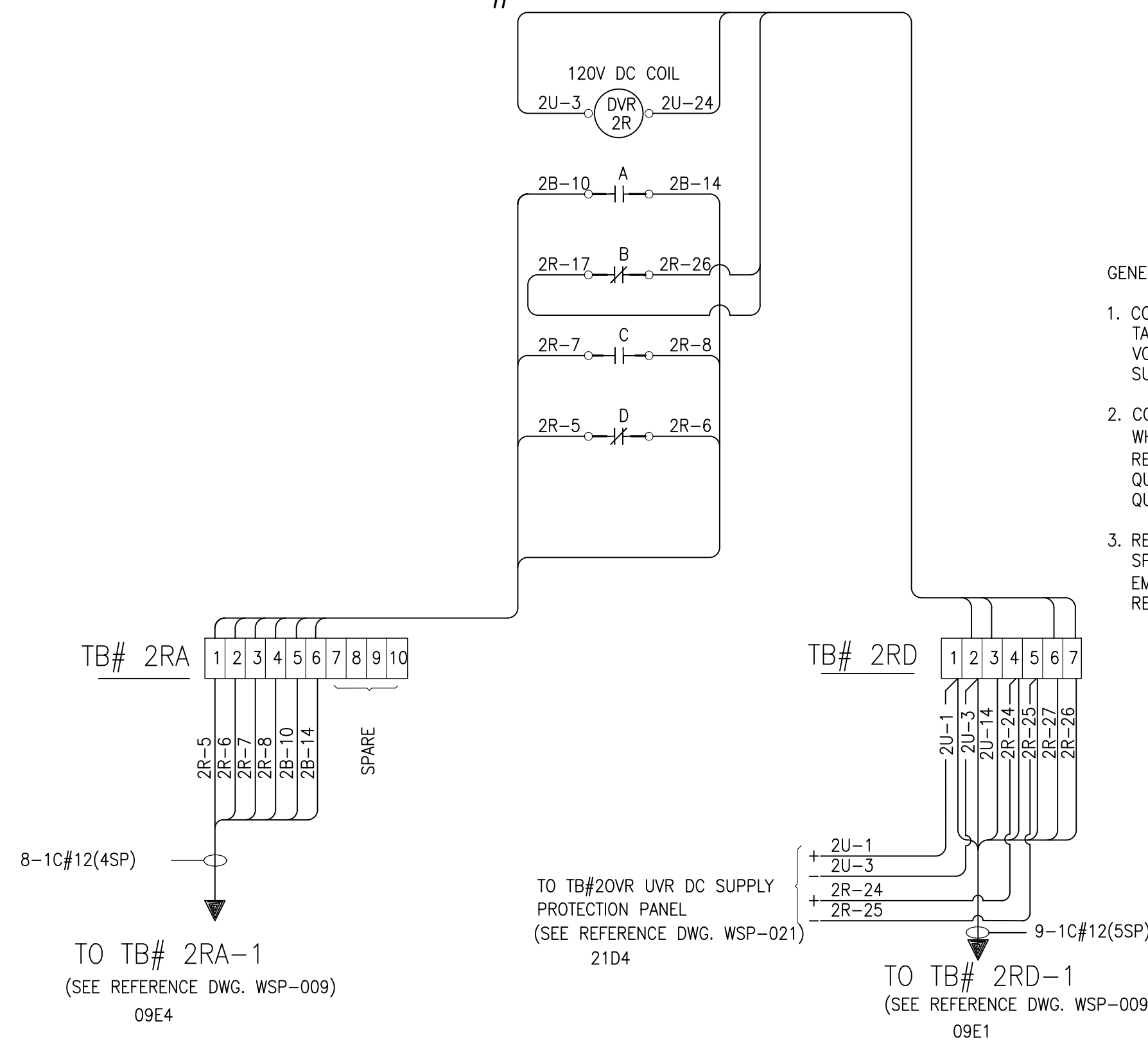
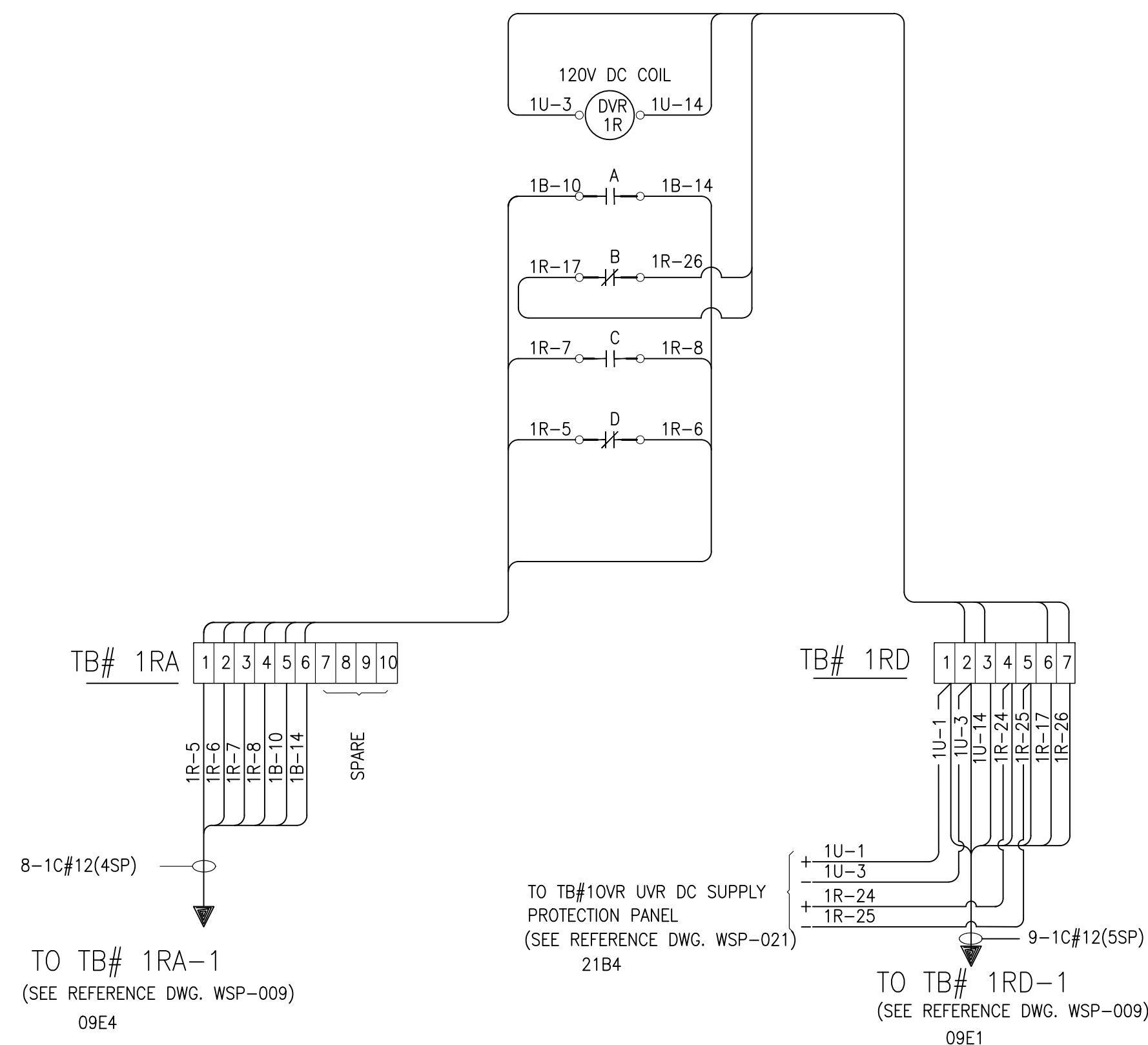
TRAIN #2

METRIC

ALL DIMENSIONS SHOWN ARE  
IN METRES AND/OR MILLIMETRES  
UNLESS OTHERWISE NOTED.

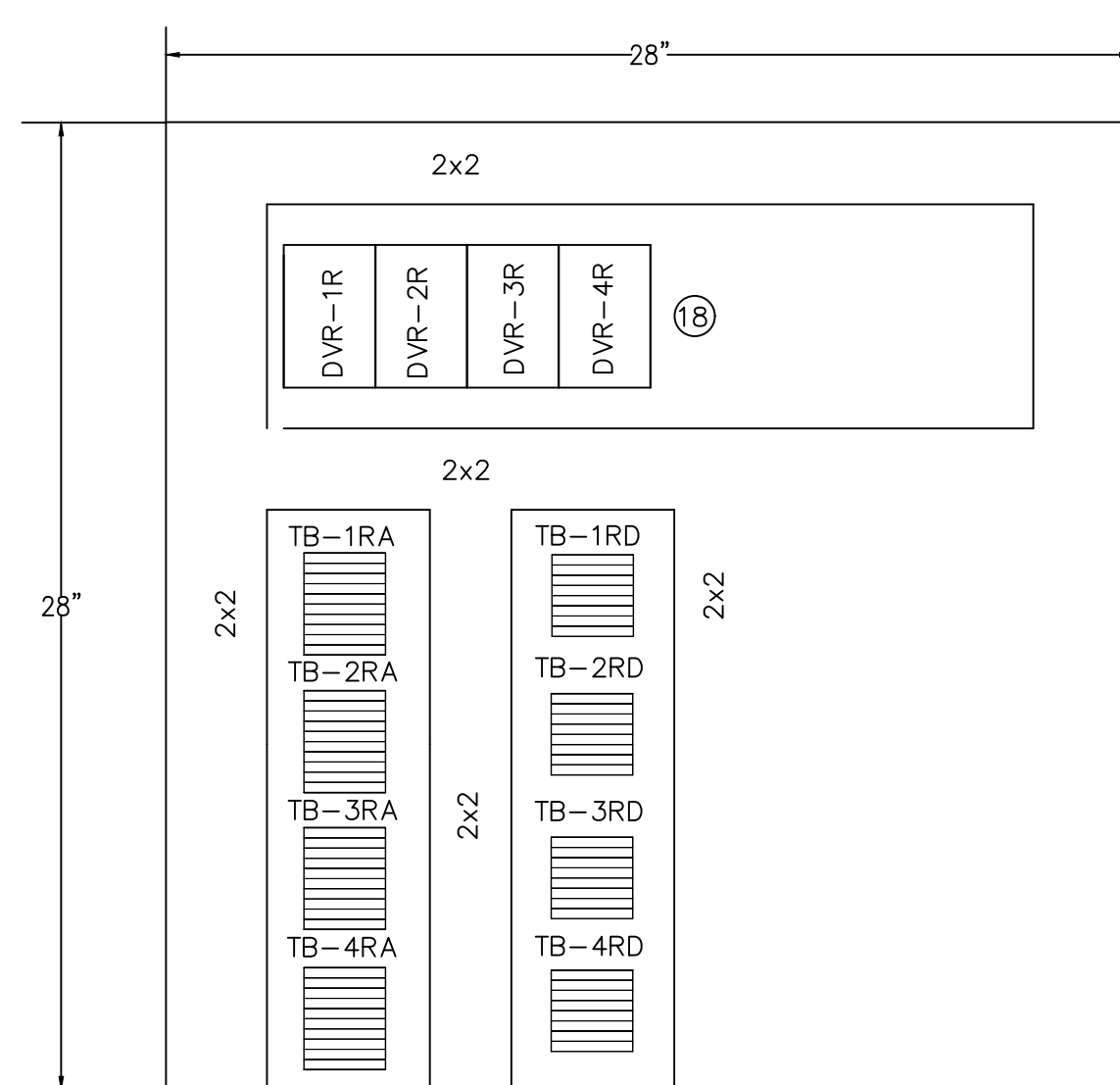
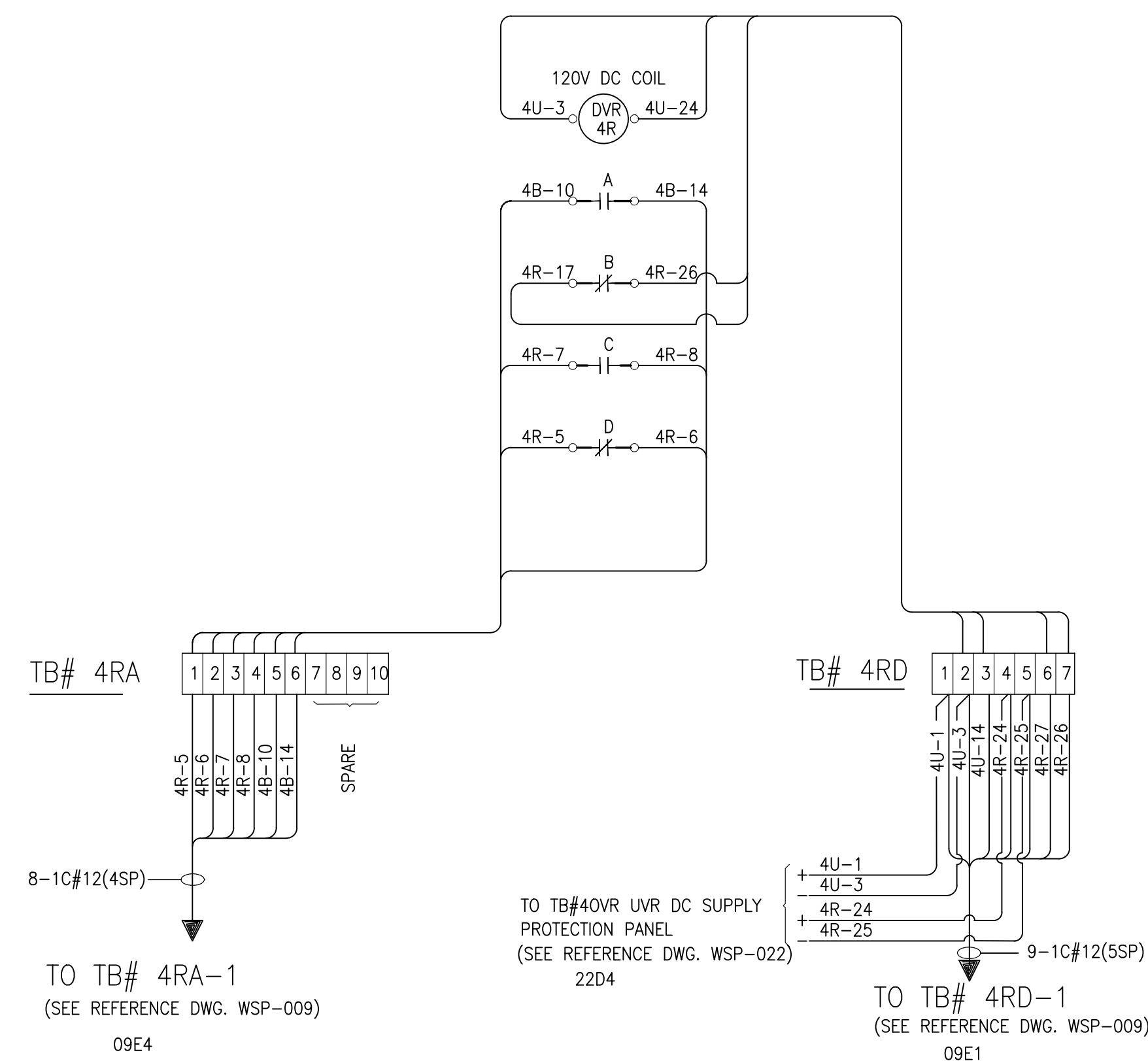
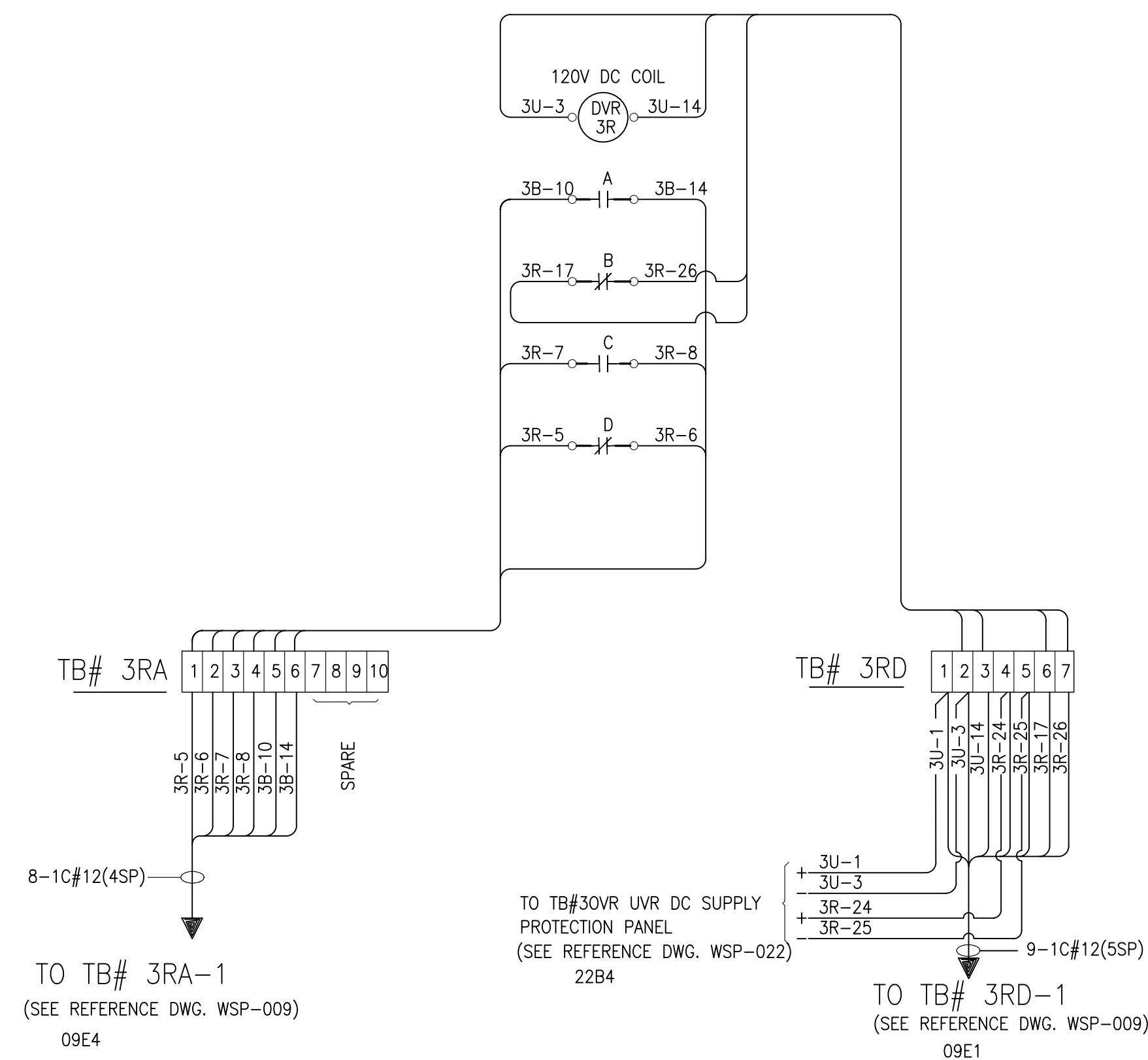
GENERAL NOTES:

- CONSULTANTS ARE TO REVIEW ALL WIRE SIZING TO TAKE INTO ACCOUNT; DERATING AND 3% MAXIMUM VOLTAGE DROP FACTORS. WIRE SIZES ARE SUGGESTIONS ONLY!
- COMPONENT CROSS REFERENCES SHOWN AS: XXXY WHERE "XX" REPRESENTS FINAL 2 DIGITS OF REFERENCE DRAWING # AND "YY" REPRESENTS QUADRANT LOCATION ON DWG. I.E. 02C1 = WSP-002 QUAD. C1
- REFER TO ELECTRIFICATION STANDARDS AND SPECIFICATIONS FOR GROUNDING AND BONDING, EMI/EMF WITHSTAND REQUIREMENTS, CABLING REQUIREMENTS.



TRAIN #3

TRAIN #4



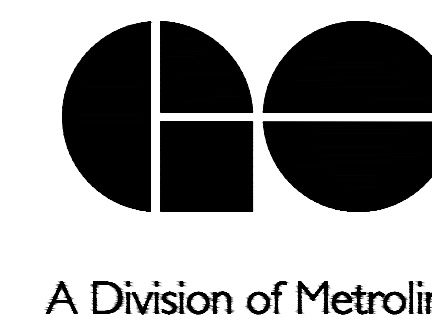
RELAY PANEL BACKPLATE  
TYPICAL FOR LEFT AND RIGHT PANEL

NOTE:  
THIS DRAWING IS PROVIDED FOR INSTRUCTIONAL DESIGN PURPOSES ONLY BASED ON METROLINX GO TRANSIT DESIGN GUIDELINES AND REQUIREMENTS. THE CONSULTANT SHALL VERIFY FOR LOCAL CODE COMPLIANCE, EXISTING SITE CONDITIONS AND INTER DISCIPLINARY DRAWING COORDINATION. ALL DIMENSIONS AND SPECIFICATIONS SHOULD BE VERIFIED BY CONSULTANT AND/OR CONTRACTOR BEFORE ACTUAL CONSTRUCTION BEGINS.

AutoCAD drawing: WSP-018.dwg Aug 15/18 12:27pm

GO TRANSIT PROJECT NO. XXXXX

REFERENCE DRAWINGS		ISSUE		REVISIONS		DRAWN BY:	DESIGNED BY:
WSP-014	MOTOR CONTROL CENTRE ELEVATION			5	FEB. 2018	UPDATES AND ADDITIONS	
				4	DEC 2013	DISCLAIMER NOTE	CHECKED BY: APPROVED BY:
				3	MAR 2013	UPDATES AND ADDITIONS	
				2	JULY 2012	NOMENCLATURE REVISION	SCALE: N.T.S. FULL SIZE ONLY
				1	SEPT.2010	GENERAL REVISIONS	
DWG. NO.	TITLE	REV.	DATE	ISSUED FOR	REV.	DATE	



XXXXXX WAYSIDE POWER UVR RELAY PANEL RIGHT SIDE			
CONTRACT NO.	DWG. NO. WSP-018	REV. 5	SHEET XX