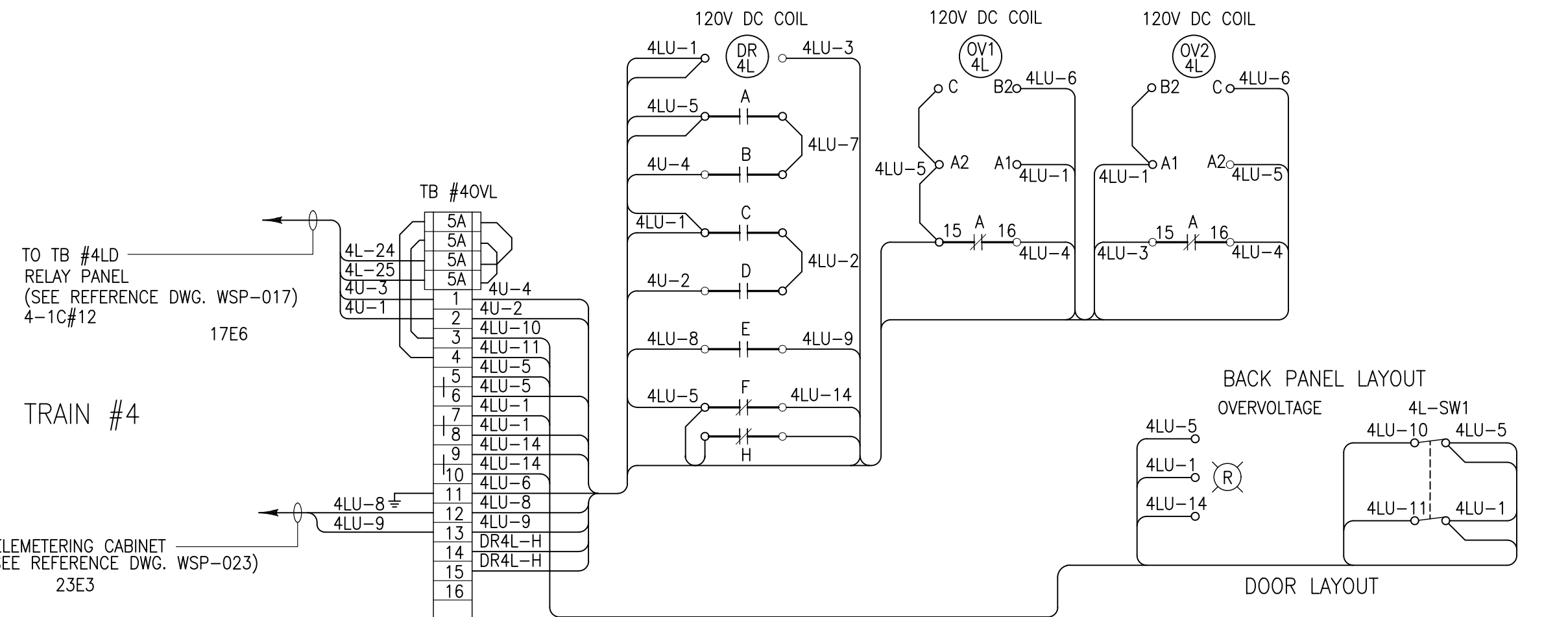
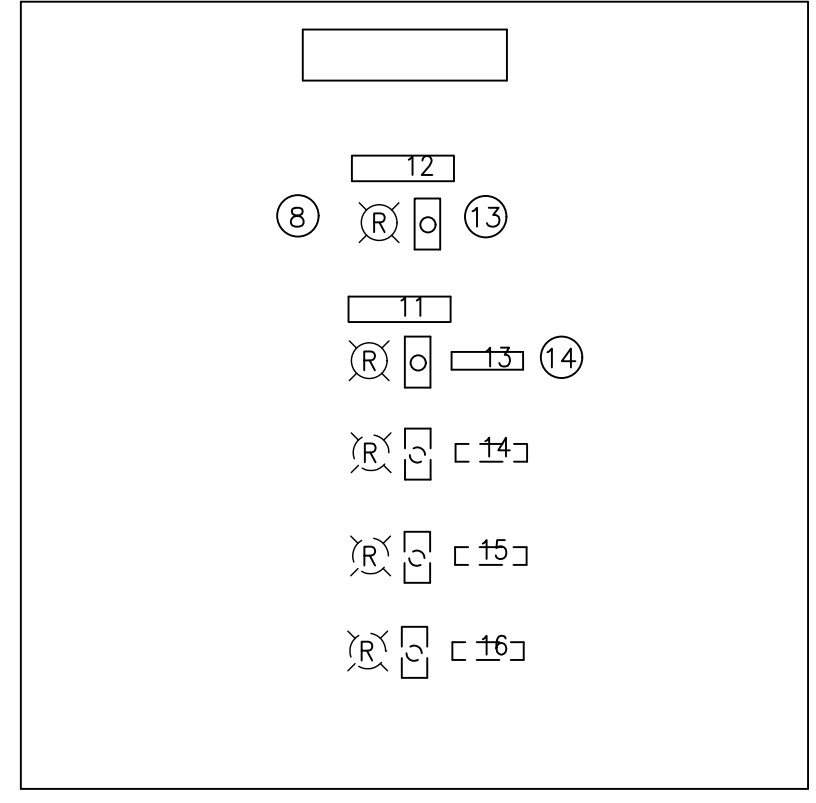
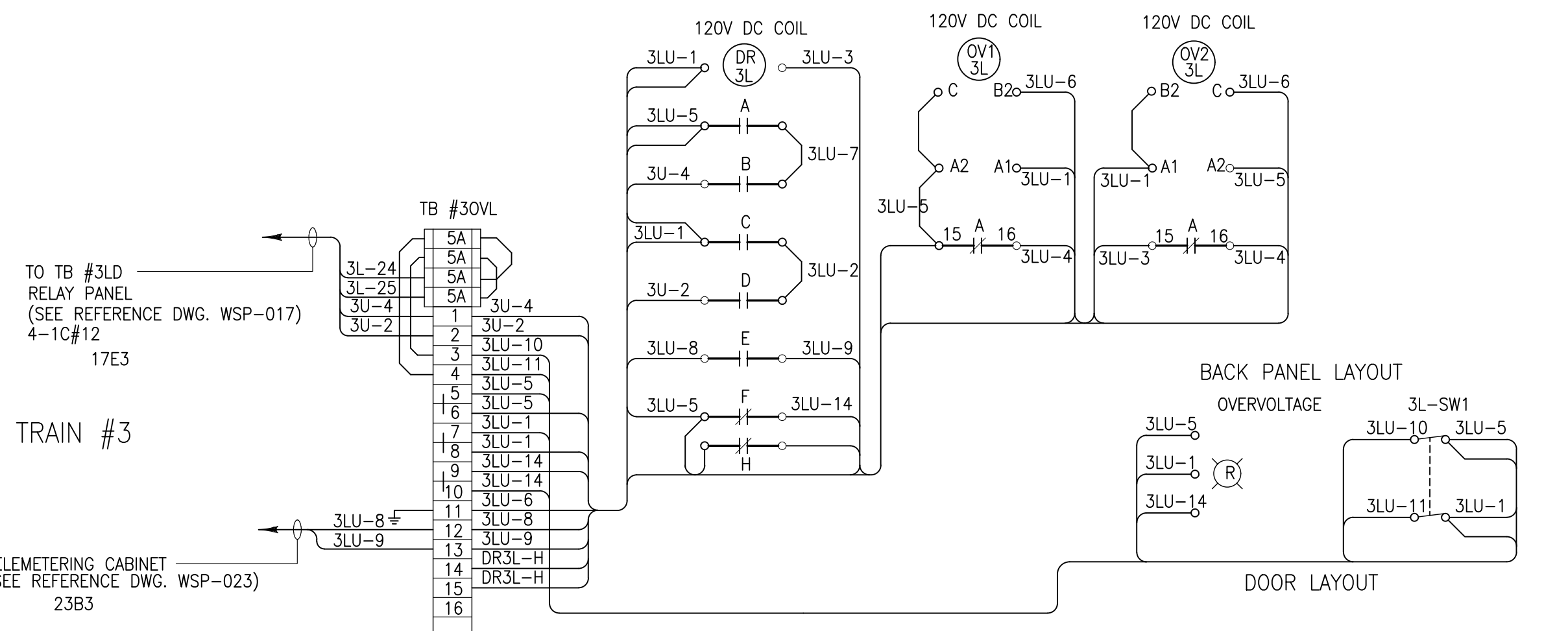
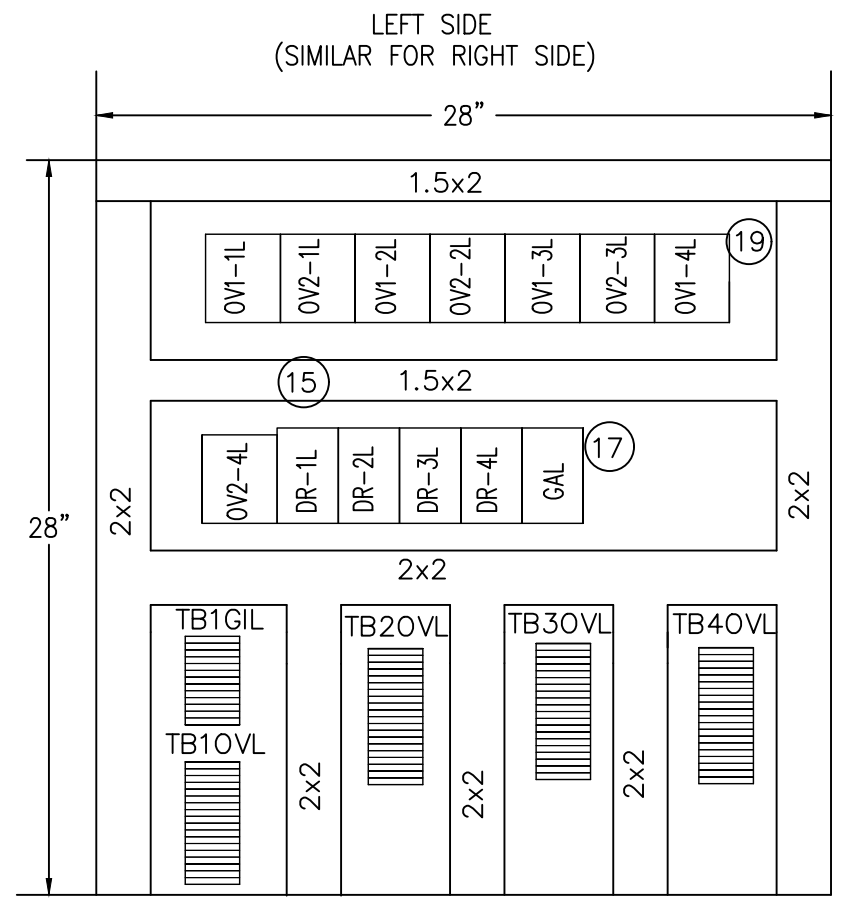


NOTE:
THIS DRAWING IS PROVIDED FOR INSTRUCTIONAL DESIGN PURPOSES ONLY BASED ON METROLINX GO TRANSIT DESIGN GUIDELINES AND REQUIREMENTS. THE CONSULTANT SHALL VERIFY FOR LOCAL CODE COMPLIANCE, EXISTING SITE CONDITIONS AND INTER DISCIPLINARY DRAWING COORDINATION. ALL DIMENSIONS AND SPECIFICATIONS SHOULD BE VERIFIED BY CONSULTANT AND/OR CONTRACTOR BEFORE ACTUAL CONSTRUCTION BEGINS.

ALL DIMENSIONS SHOWN ARE IN METRES AND/OR MILLIMETRES UNLESS OTHERWISE NOTED.

UVR DC SUPPLY PROTECTION CABINET BACKPANEL LAYOUT



OV1 & OV2 RELAY SETTINGS

u%: 70
Hys: 30
R: 100
Function: >1

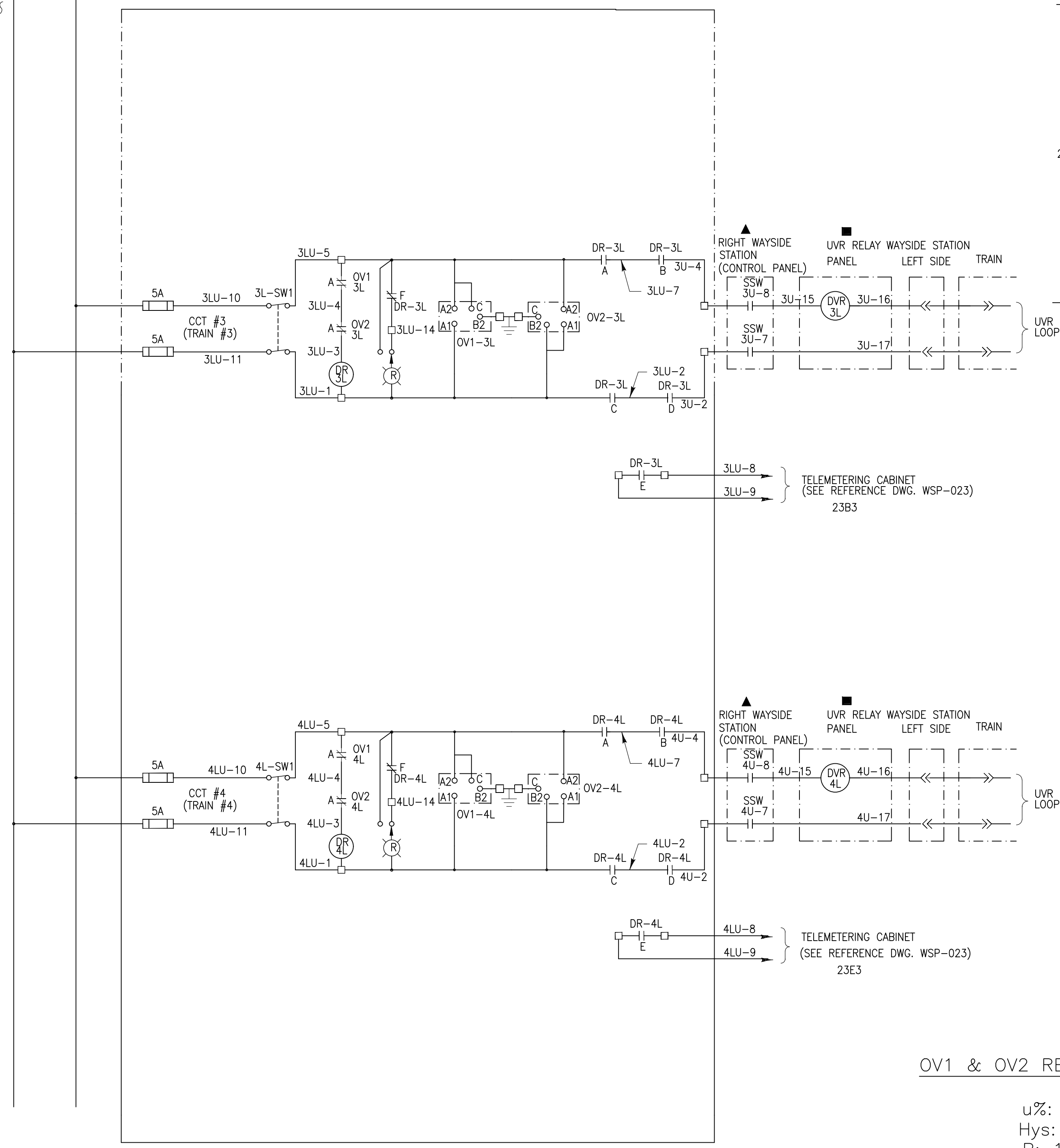
GENERAL NOTES:

- CONSULTANTS ARE TO REVIEW ALL WIRE SIZING TO TAKE INTO ACCOUNT; DERATING AND 3% MAXIMUM VOLTAGE DROP FACTORS. WIRE SIZES ARE SUGGESTIONS ONLY!
- COMPONENT CROSS REFERENCES SHOWN AS: XXXY WHERE "XX" REPRESENTS FINAL 2 DIGITS OF REFERENCE DRAWING # AND "YY" REPRESENTS QUADRANT LOCATION ON DWG. I.E. 02C1 = WSP-002 QUAD. C1
- REFER TO ELECTRIFICATION STANDARDS AND SPECIFICATIONS FOR GROUNDING AND BONDING, EMI/EMF WITHSTAND REQUIREMENTS, CABLING REQUIREMENTS.

GO TRANSIT PROJECT NO. XXXXX

120V D.C. POWER SUPPLY CABINET FOR LEFT SIDE UNIT 'L'

UVR D.C. SUPPLY PROTECTION PANEL LEFT SIDE



UVR D.C. SUPPLY PROTECTION CONTROL SCHEMATIC DIAGRAM LEFT SIDE

Aug 15/18 12:27pm
AutoCAD drawing: WSP-020.dwg

REFERENCE DRAWINGS	ISSUE	REVISIONS	DRAWN BY:	DESIGNED BY:		
		5 FEB. 2018 UPDATES AND ADDITIONS	CHECKED BY:	APPROVED BY:		
		4 DEC 2013 DISCLAIMER NOTE				
		3 MAR 2013 UPDATES AND ADDITIONS	SCALE: N.T.S.	FULL SIZE ONLY		
		2 JULY 2012 NOMENCLATURE REVISION				
		1 SEPT. 2010 GENERAL REVISIONS				
DWG. NO.	TITLE	REV.	DATE	ISSUED FOR	REV.	DATE



XXXXXX
WAYSIDE POWER
UVR DC SUPPLY CIRCUIT PROTECTION
LEFT SIDE 2 OF 2

CONTRACT NO. XXXXXXXXXXXX	DWG. NO. WSP-020	REV. 5	SHEET XX
------------------------------	---------------------	-----------	-------------