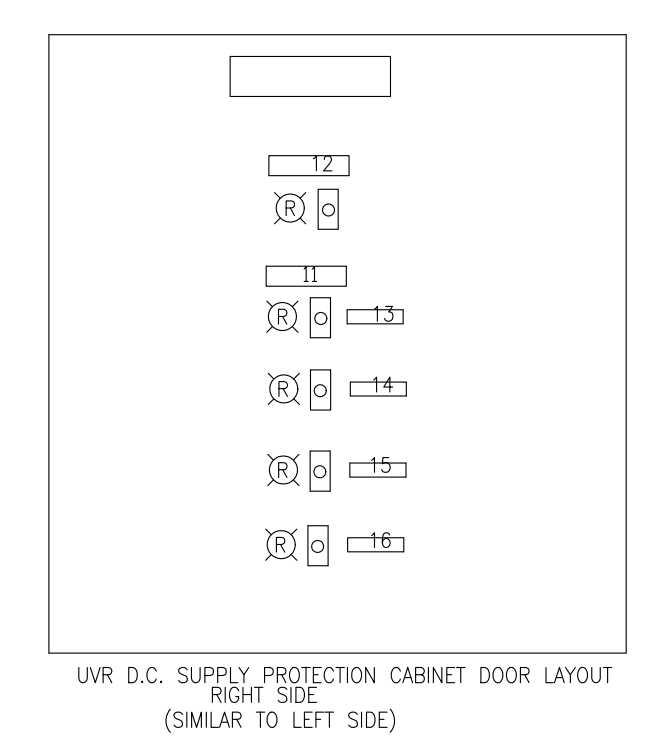
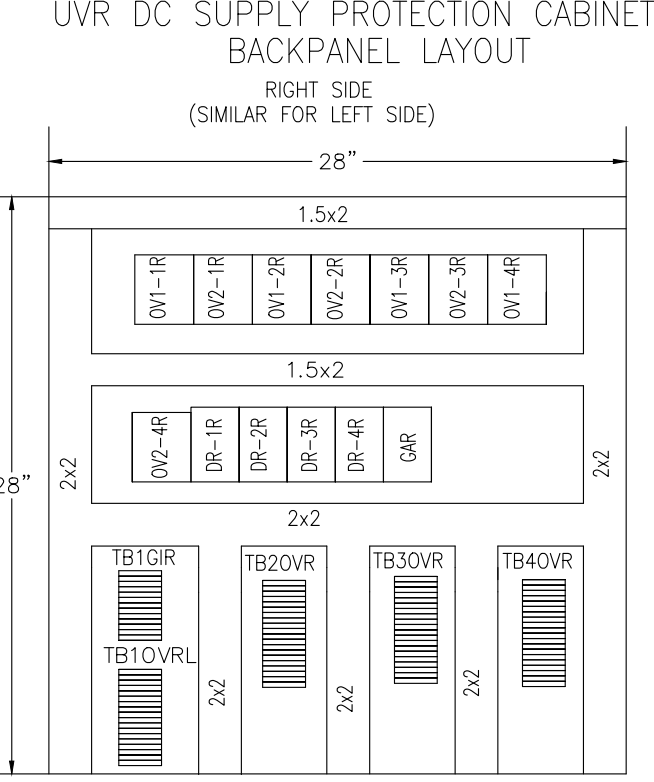
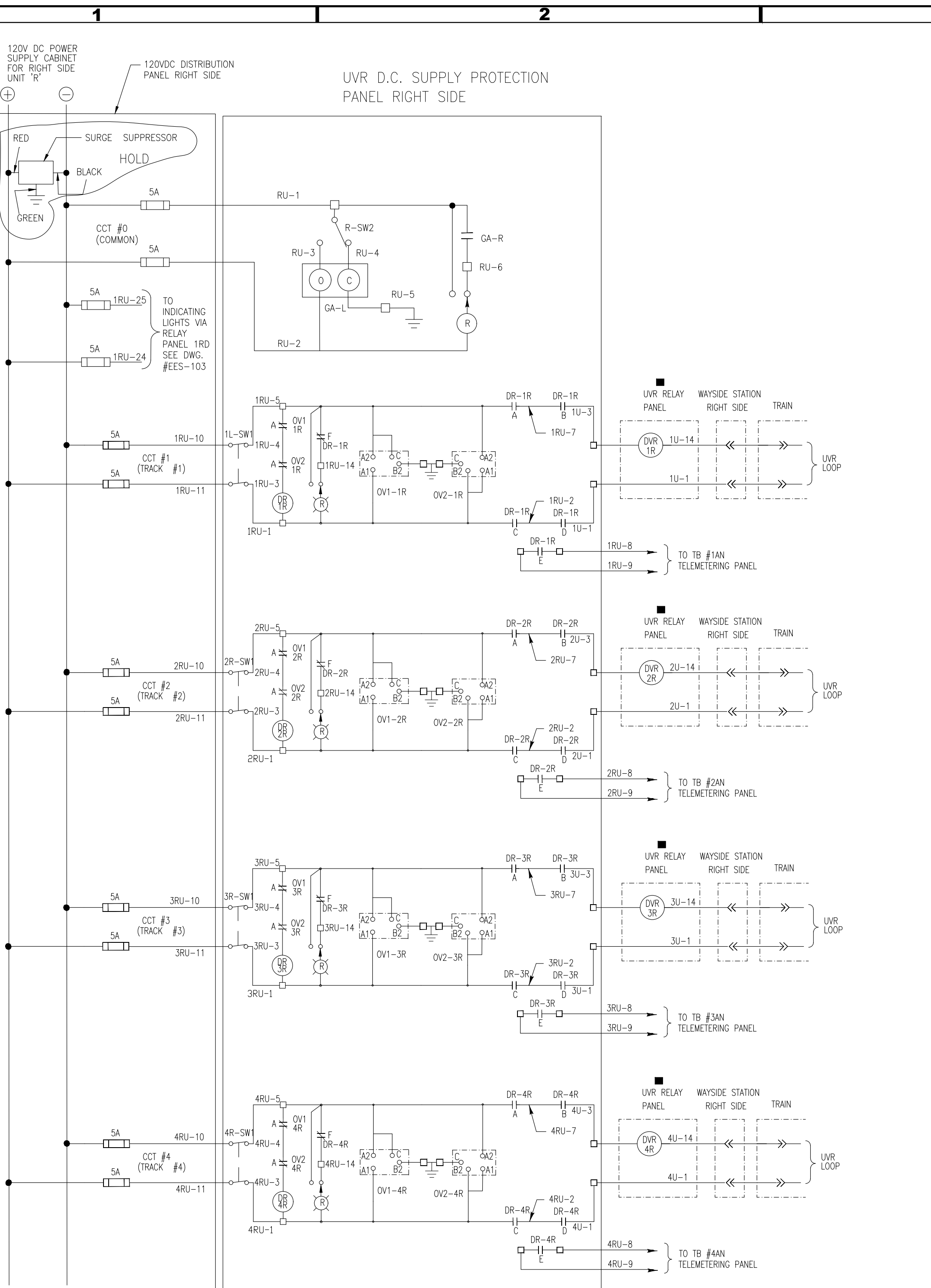
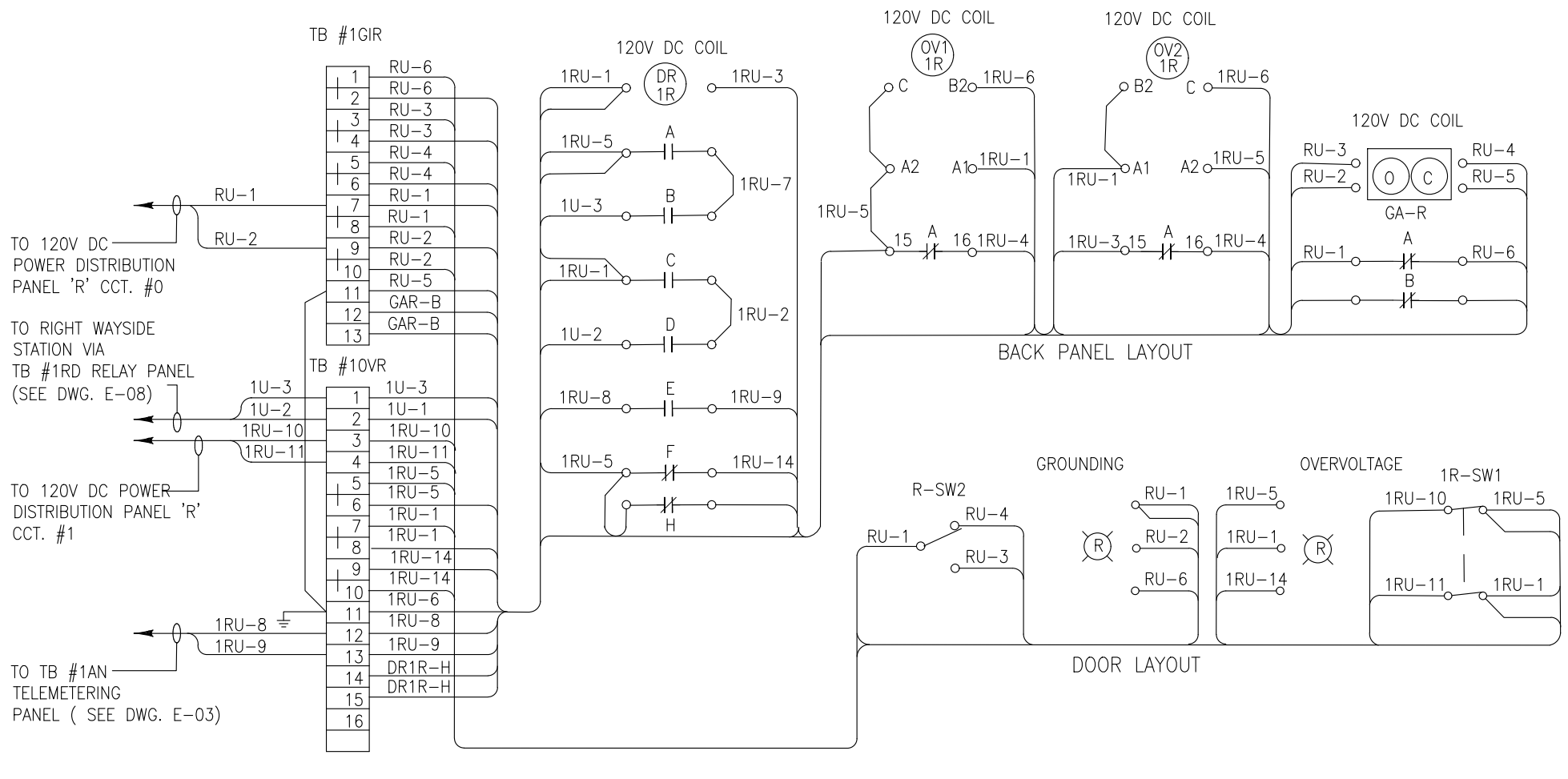


Aug 15/18 12:28pm
AutoCAD drawing: WSP-021A.dwg

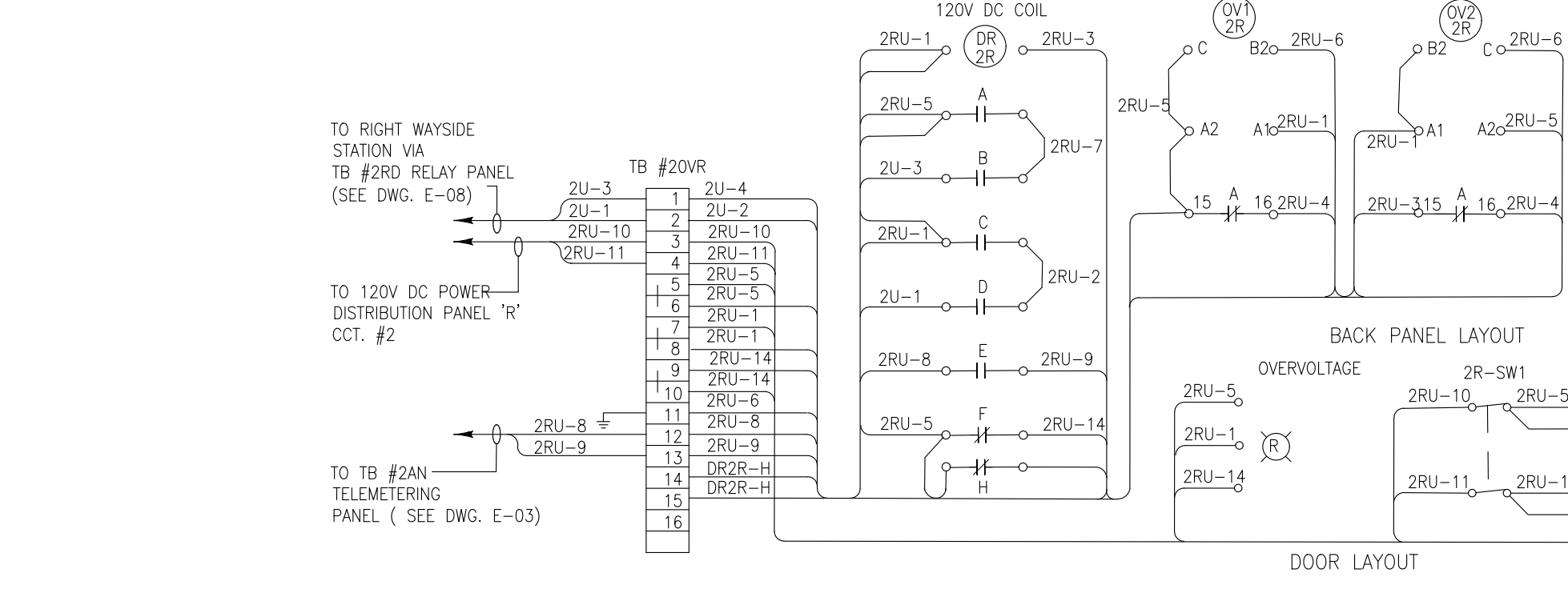


- NAME PLATE DATA
11. UVR CIRCUIT AC OVERVOLTAGE
12. UVR CIRCUIT GROUNDING
13. TRACK #1
14. TRACK #2
15. TRACK #3
16. TRACK #4

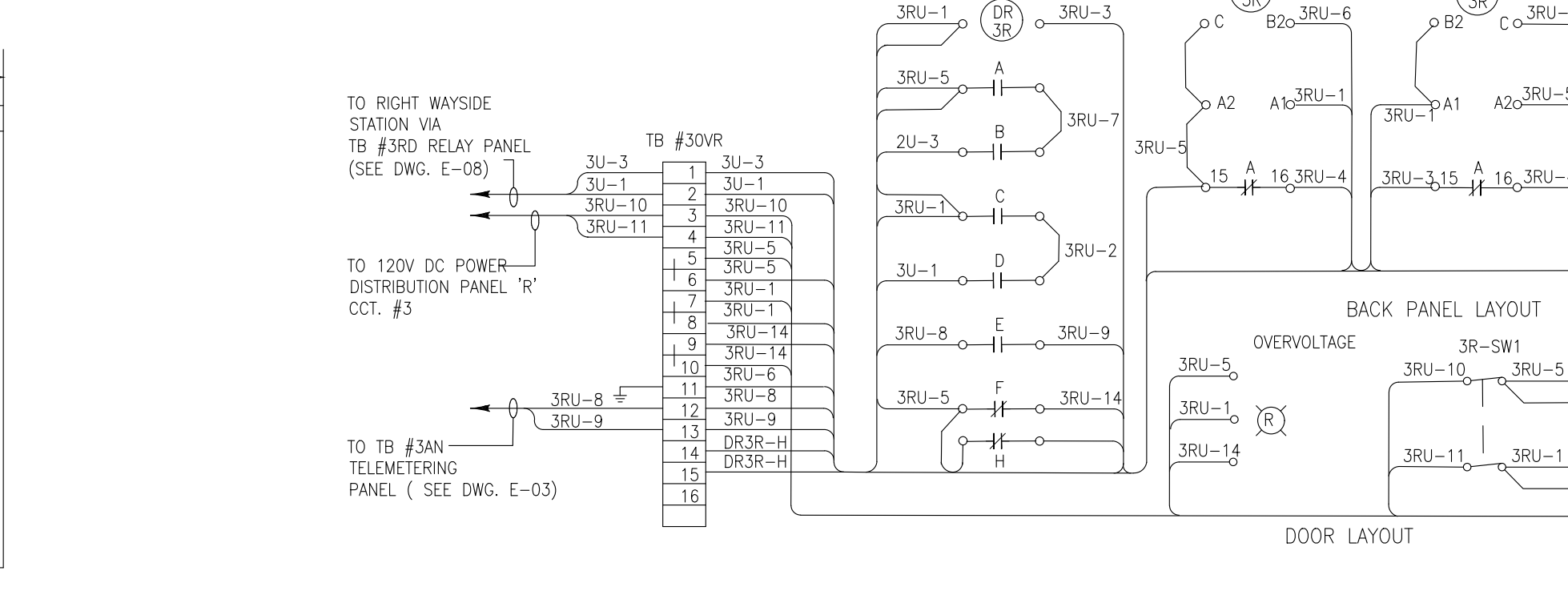
TRACK #1



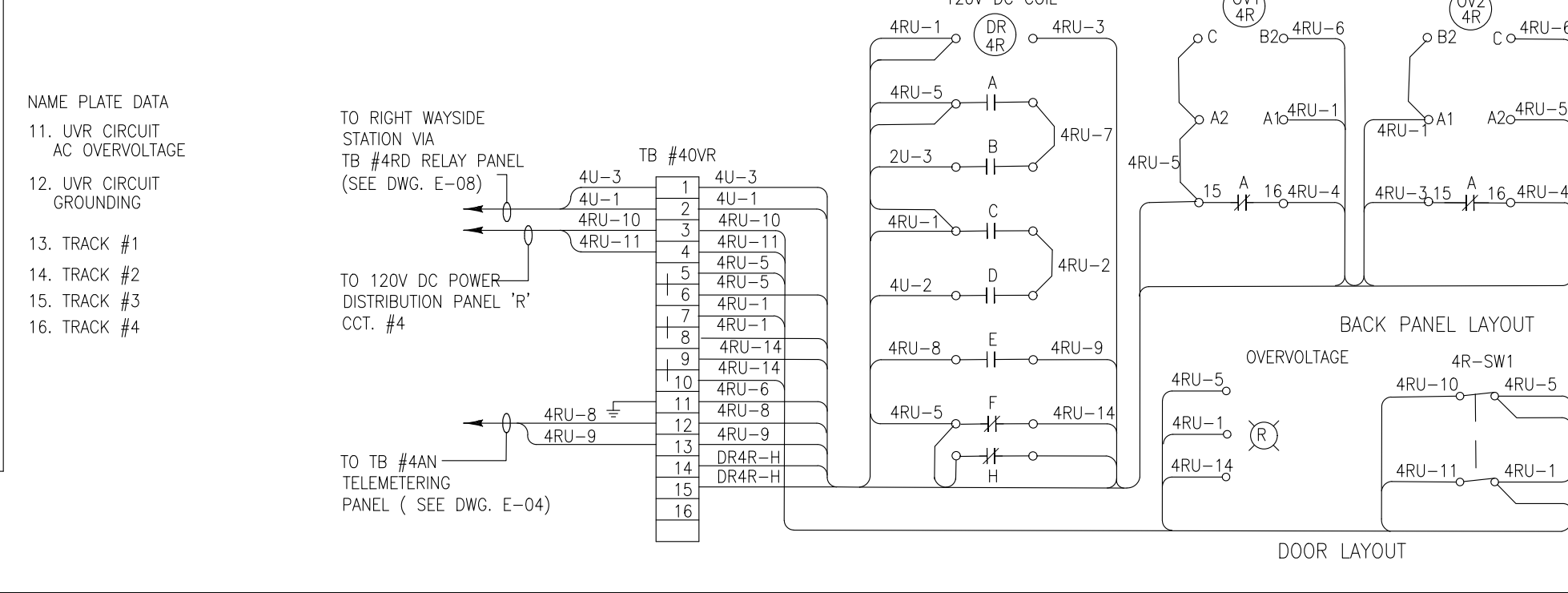
TRACK #2



TRACK #3



TRACK #4



METRIC

ALL DIMENSIONS SHOWN ARE IN METRES AND/OR MILLIMETRES UNLESS OTHERWISE NOTED.

GENERAL NOTES:
1. REFER TO ELECTRIFICATION STANDARDS AND SPECIFICATIONS FOR GROUNDING AND BONDING, EMI/EMF WITHSTAND REQUIREMENTS, CABLING REQUIREMENTS.

NOTE:
THIS DRAWING IS PROVIDED FOR INSTRUCTIONAL DESIGN PURPOSES ONLY BASED IN METROLINX GO TRANSIT DESIGN GUIDELINES AND REQUIREMENTS. THE CONSULTANT SHALL VERIFY FOR LOCAL CODE COMPLIANCE, EXISTING SITE CONDITIONS AND INTER DISCIPLINARY DRAWING COORDINATION. ALL DIMENSIONS AND SPECIFICATIONS SHOULD BE VERIFIED BY CONSULTANT AND/OR CONTRACTOR BEFORE ACTUAL CONSTRUCTION BEGINS.

GO TRANSIT PROJECT NO. XXXXX

CONTRACT NO.	XXXXXX	DWG. NO.	WSP-021A	REV.	0	SHEET	XX
--------------	--------	----------	----------	------	---	-------	----

REFERENCE DRAWINGS		ISSUE		REVISIONS	

DRAWN BY:	DESIGNED BY:	
CHECKED BY:	APPROVED BY:	
SCALE: N.T.S.	FULL SIZE ONLY	
0	FEB. 2019	FIRST SUBMISSION

