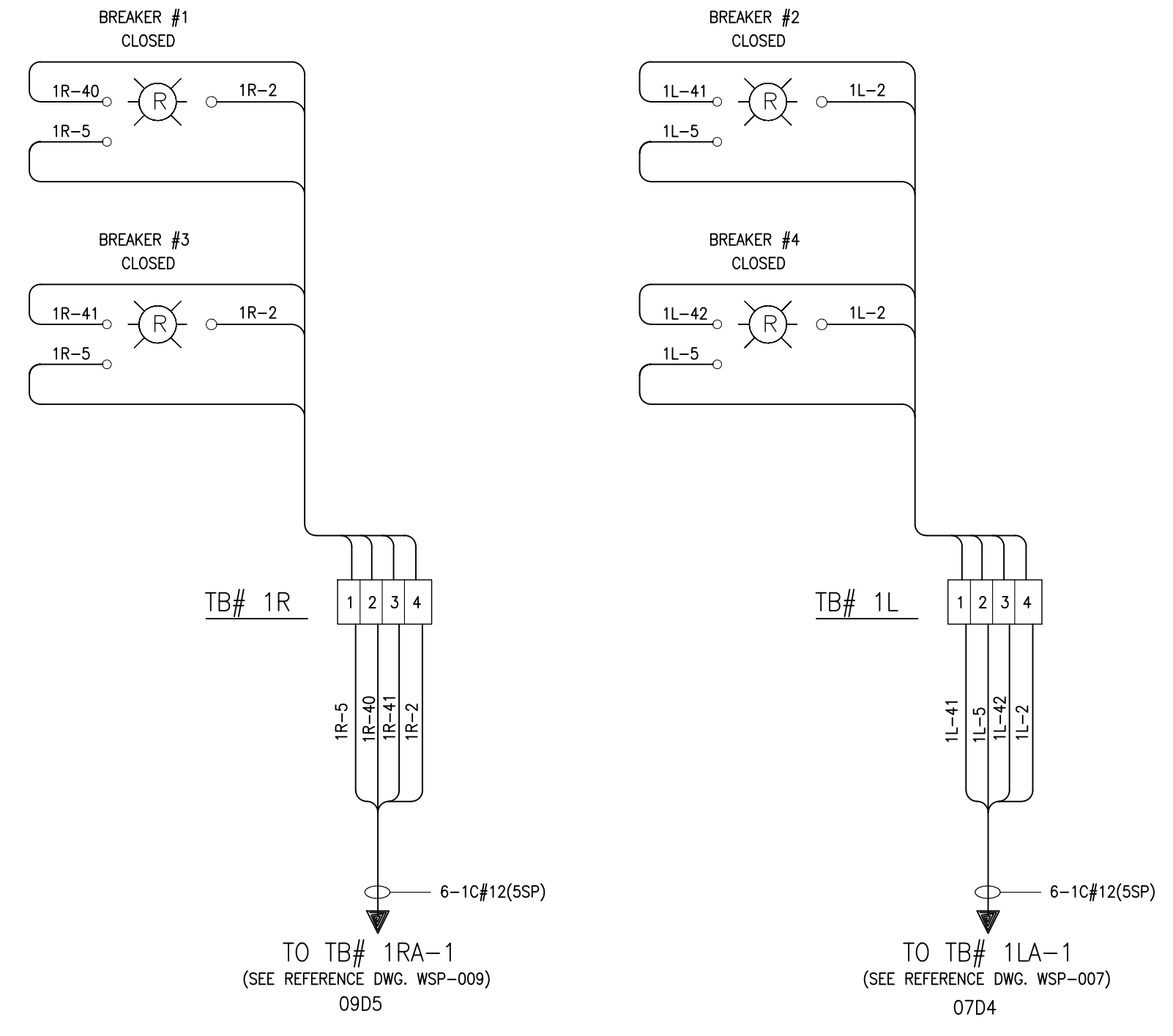


ALL DIMENSIONS SHOWN ARE IN METRES AND/OR MILLIMETRES UNLESS OTHERWISE NOTED.

- GENERAL NOTES:
- CONSULTANTS ARE TO REVIEW ALL WIRE SIZING TO TAKE INTO ACCOUNT: DERATING AND 3% MAXIMUM VOLTAGE DROP FACTORS. WIRE SIZES ARE SUGGESTIONS ONLY!
 - COMPONENT CROSS REFERENCES SHOWN AS: XXXX WHERE "XX" REP FINAL 2 DIGITS OF DWG # AND "YY" REP QUADRANT LOCATION ON DWG. IE. 02C1 = EDD-W1-002 QUAD. C1
 - REFER TO ELECTRIFICATION STANDARDS AND SPECIFICATIONS FOR GROUNDING AND BONDING, EMI/EMF WITHSTAND REQUIREMENTS, CABLING REQUIREMENTS.

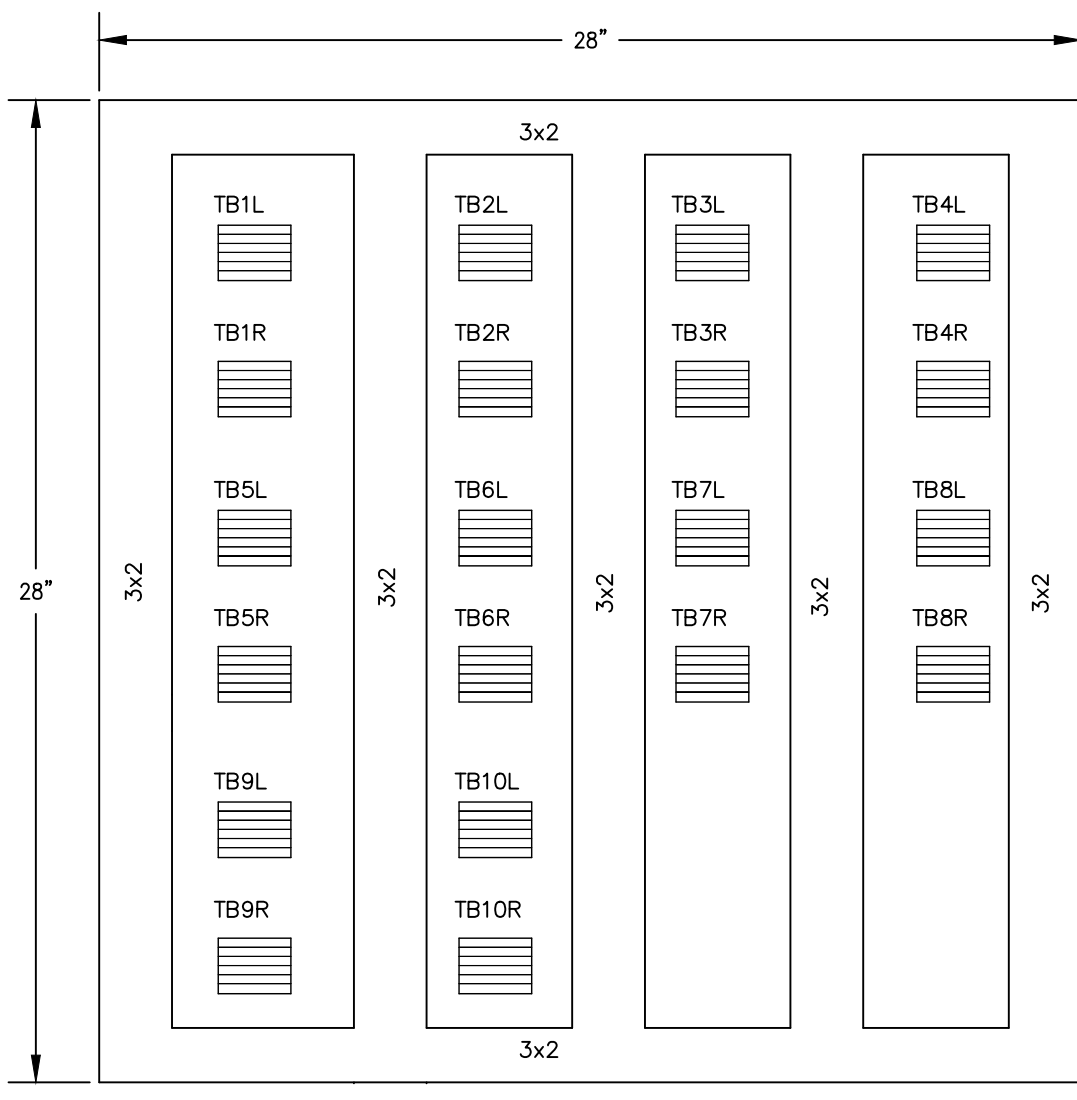
NOTE:
THIS DRAWING IS PROVIDED FOR INSTRUCTIONAL DESIGN PURPOSES ONLY BASED ON METROLINX GO TRANSIT DESIGN GUIDELINES AND REQUIREMENTS. THE CONSULTANT SHALL VERIFY FOR LOCAL CODE COMPLIANCE, EXISTING SITE CONDITIONS AND INTER DISCIPLINARY DRAWING COORDINATION. ALL DIMENSIONS AND SPECIFICATIONS SHOULD BE VERIFIED BY CONSULTANT AND/OR CONTRACTOR BEFORE ACTUAL CONSTRUCTION BEGINS.

TRAIN #1

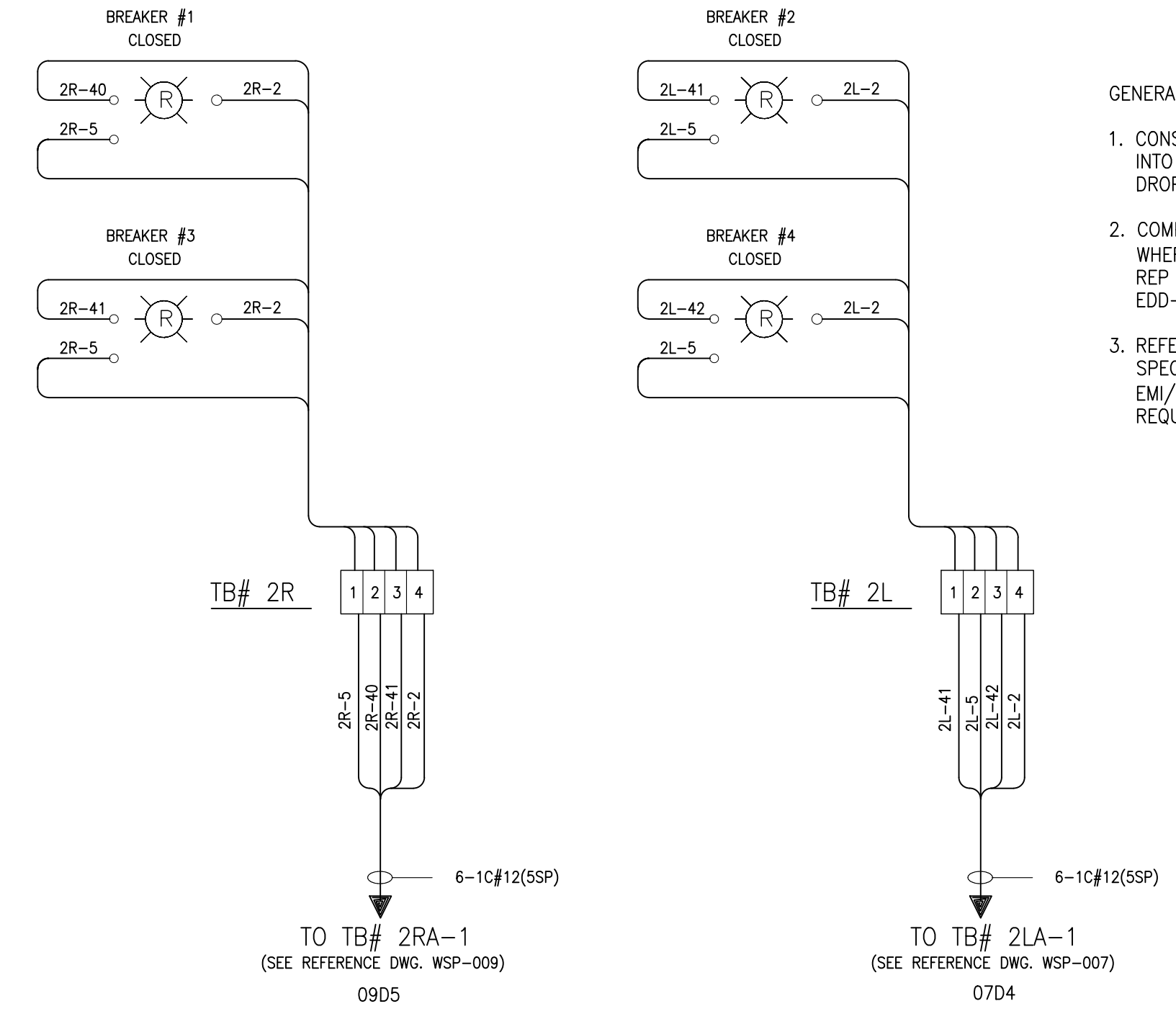


BREAKER INDICATOR PANEL

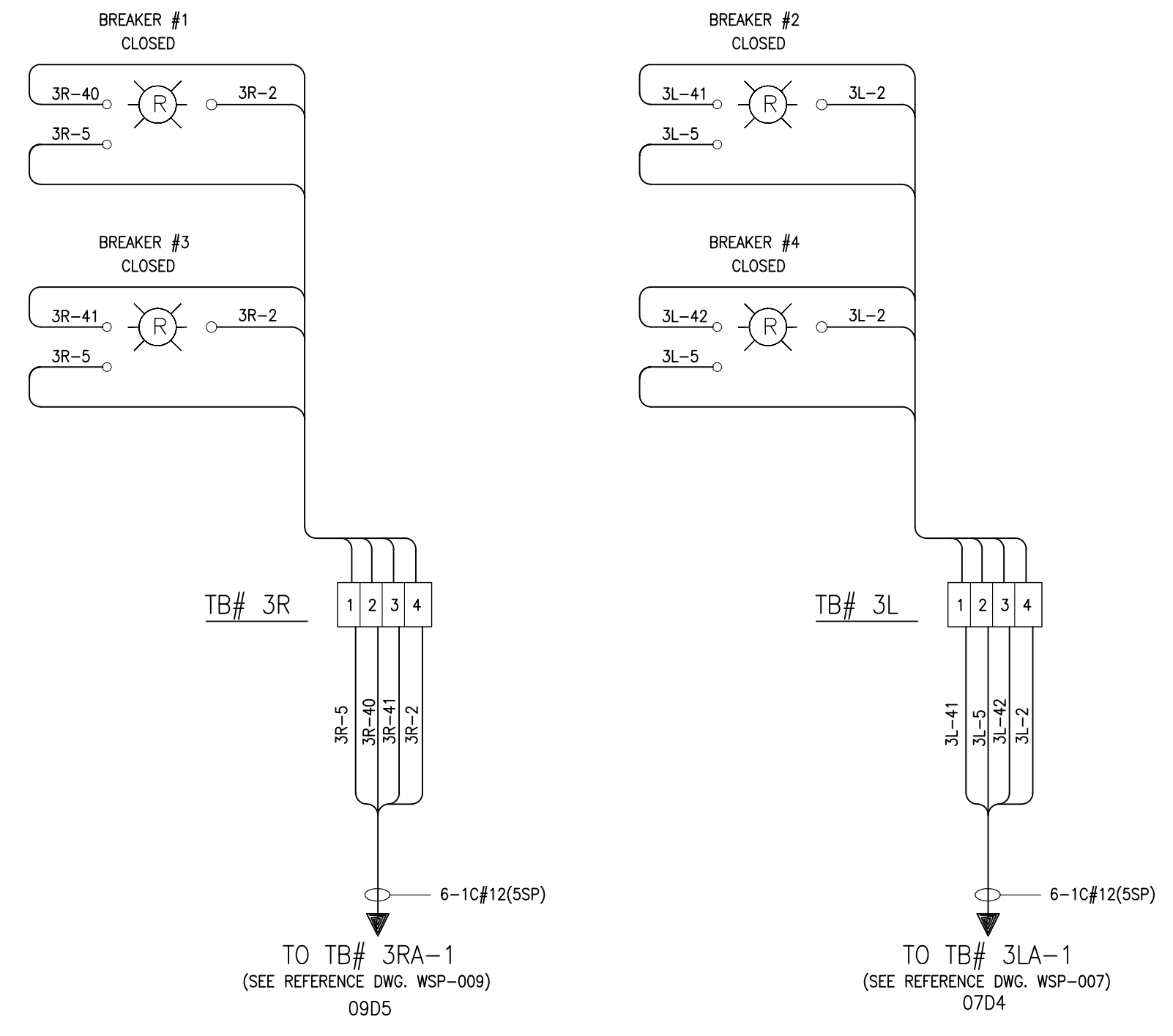
BREAKER INDICATOR PANEL BACKPANEL LAYOUT



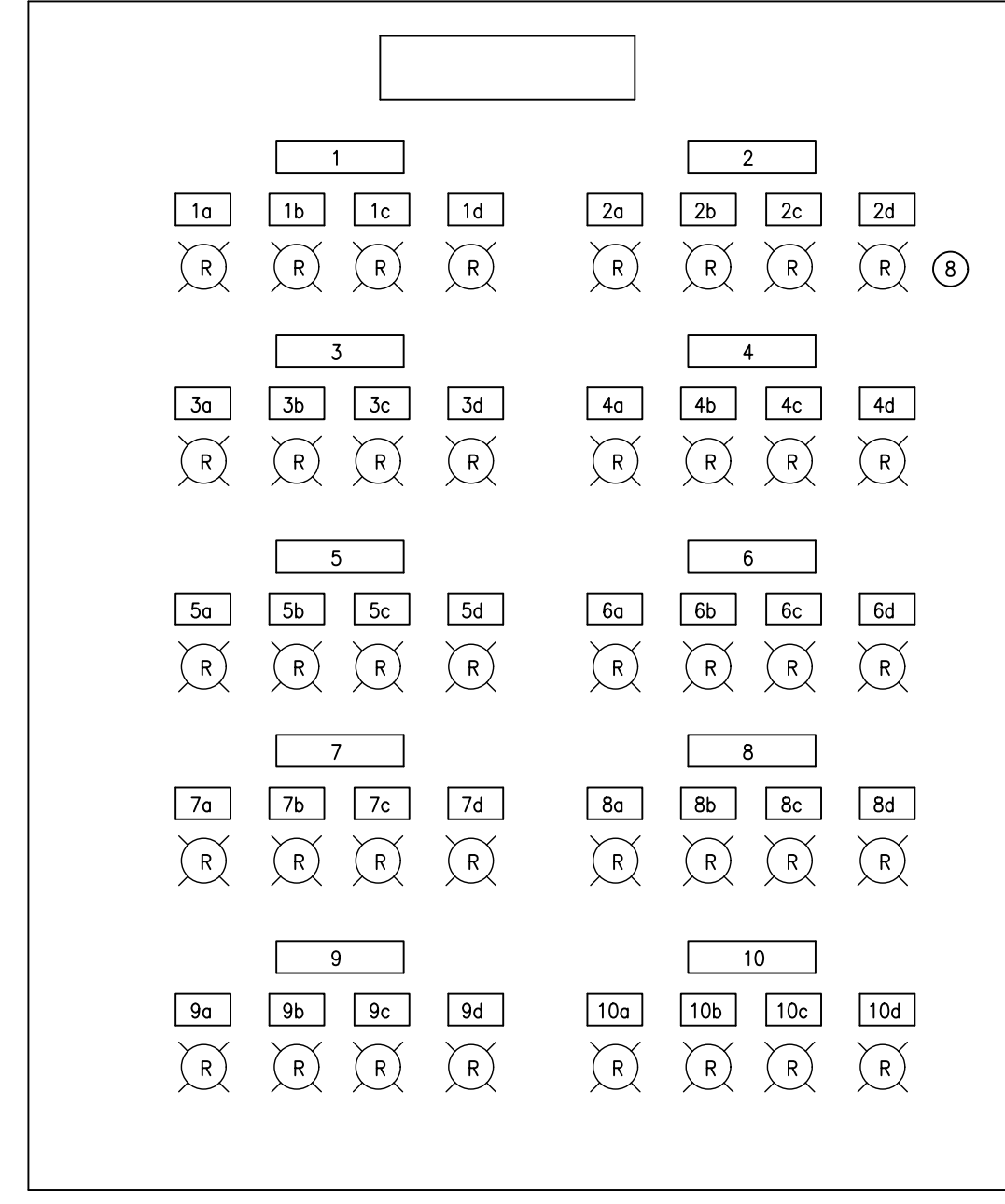
TRAIN #2



TRAIN #3

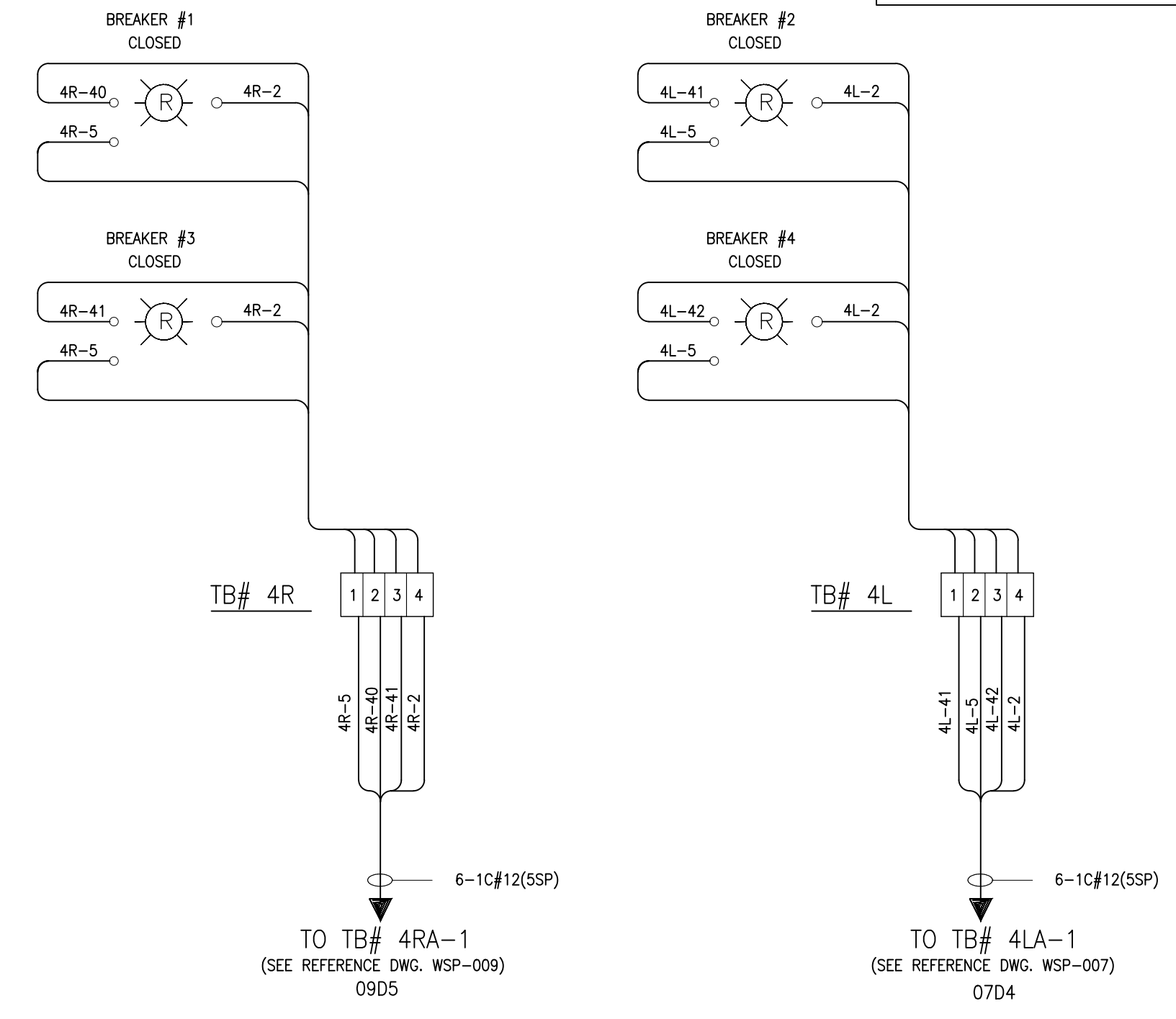


BREAKER INDICATOR PANEL DOOR LAYOUT



- NAME PLATE DATA
TYPICAL
- TRAIN #1
 - 1a. ISOL. BRKR. #1
 - 1b. ISOL. BRKR. #2
 - 1c. ISOL. BRKR. #3
 - 1d. ISOL. BRKR. #4

TRAIN #4

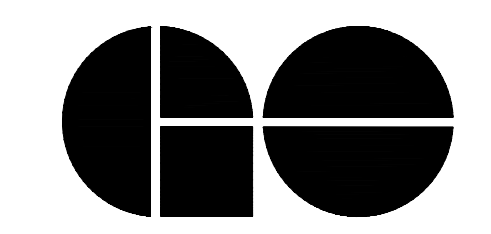


GO TRANSIT PROJECT NO. XXXXX

AutoCAD drawing: WSP-026.dwg Aug 15/18 12:28pm

DWG. NO.	TITLE	REV.	DATE	ISSUED FOR	REV.	DATE	GENERAL REVISIONS
					1	SEPT.2010	GENERAL REVISIONS
					2	JULY 2012	NOMENCLATURE REVISION
					3	MAR 2013	UPDATES AND ADDITIONS
					4	DEC 2013	DISCLAIMER NOTE
					5	FEB. 2018	UPDATES AND ADDITIONS

DRAWN BY:	DESIGNED BY:
CHECKED BY:	APPROVED BY:
SCALE: N.T.S.	FULL SIZE ONLY



A Division of Metrolinx

XXXXXX
WAYSIDE POWER
BREAKER INDICATOR PANEL
WIRING DIAGRAM

CONTRACT NO. XXXXXXXXXXXX	DWG. NO. WSP-026	REV. 5	SHEET XX
------------------------------	---------------------	-----------	-------------