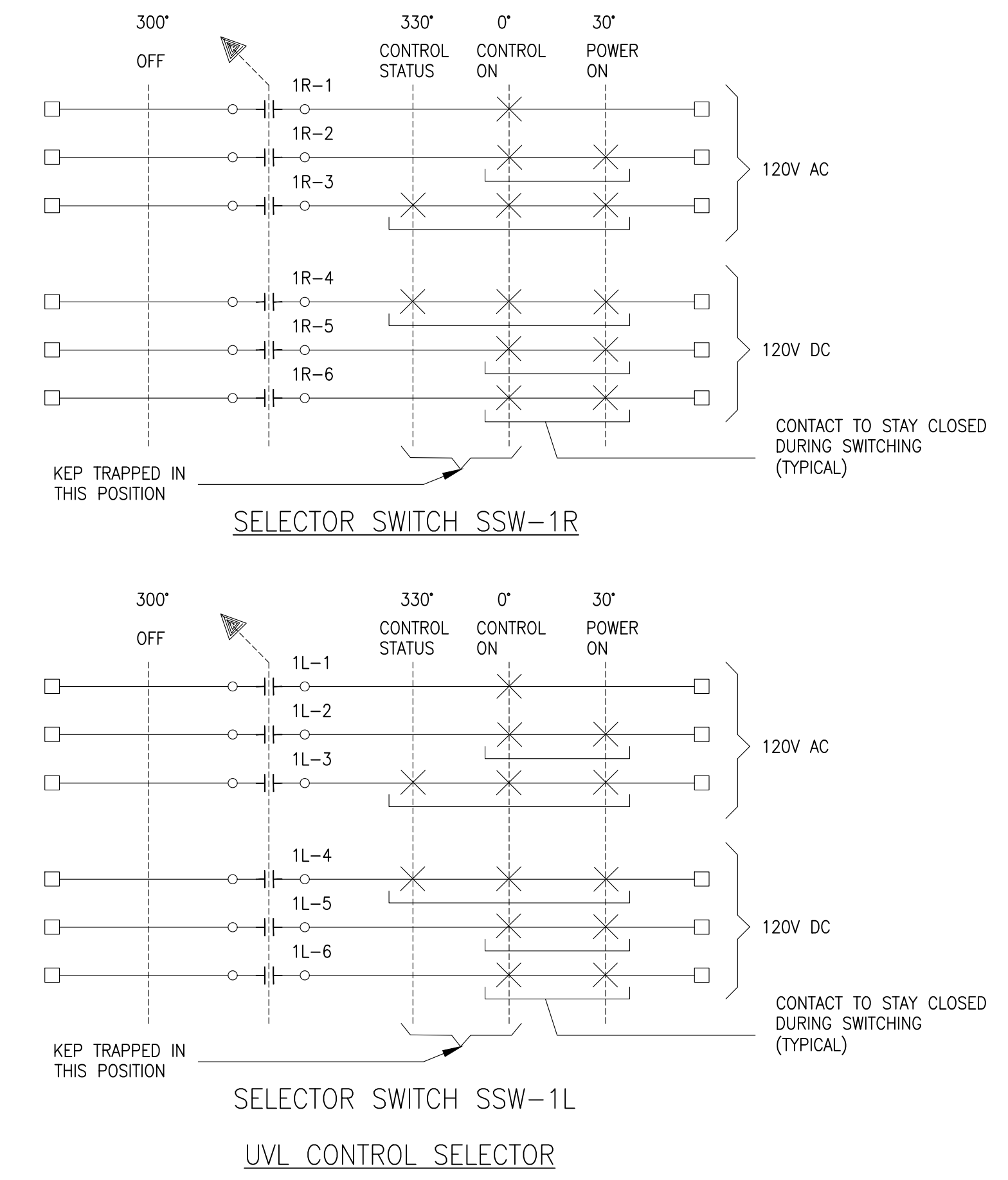
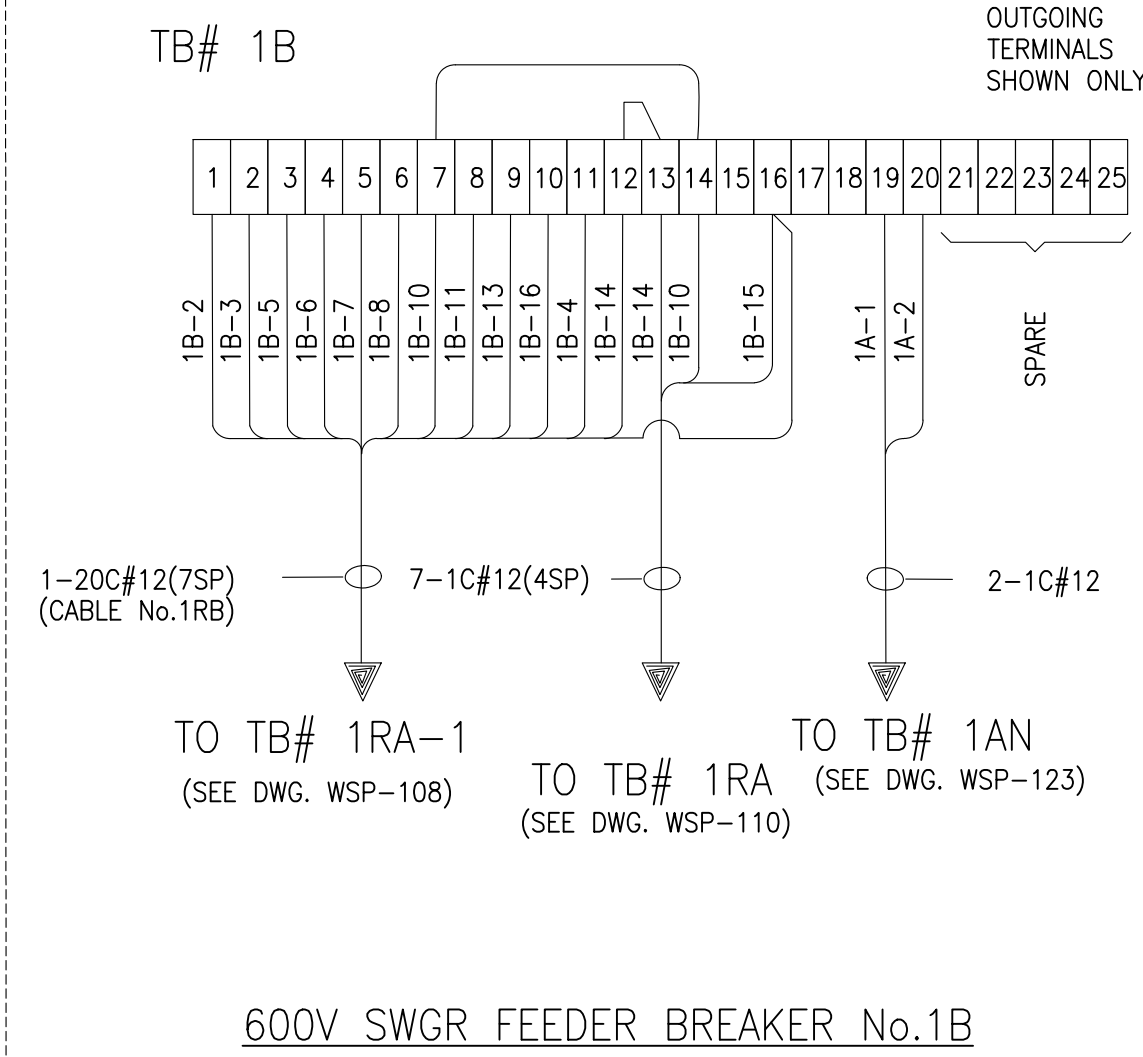
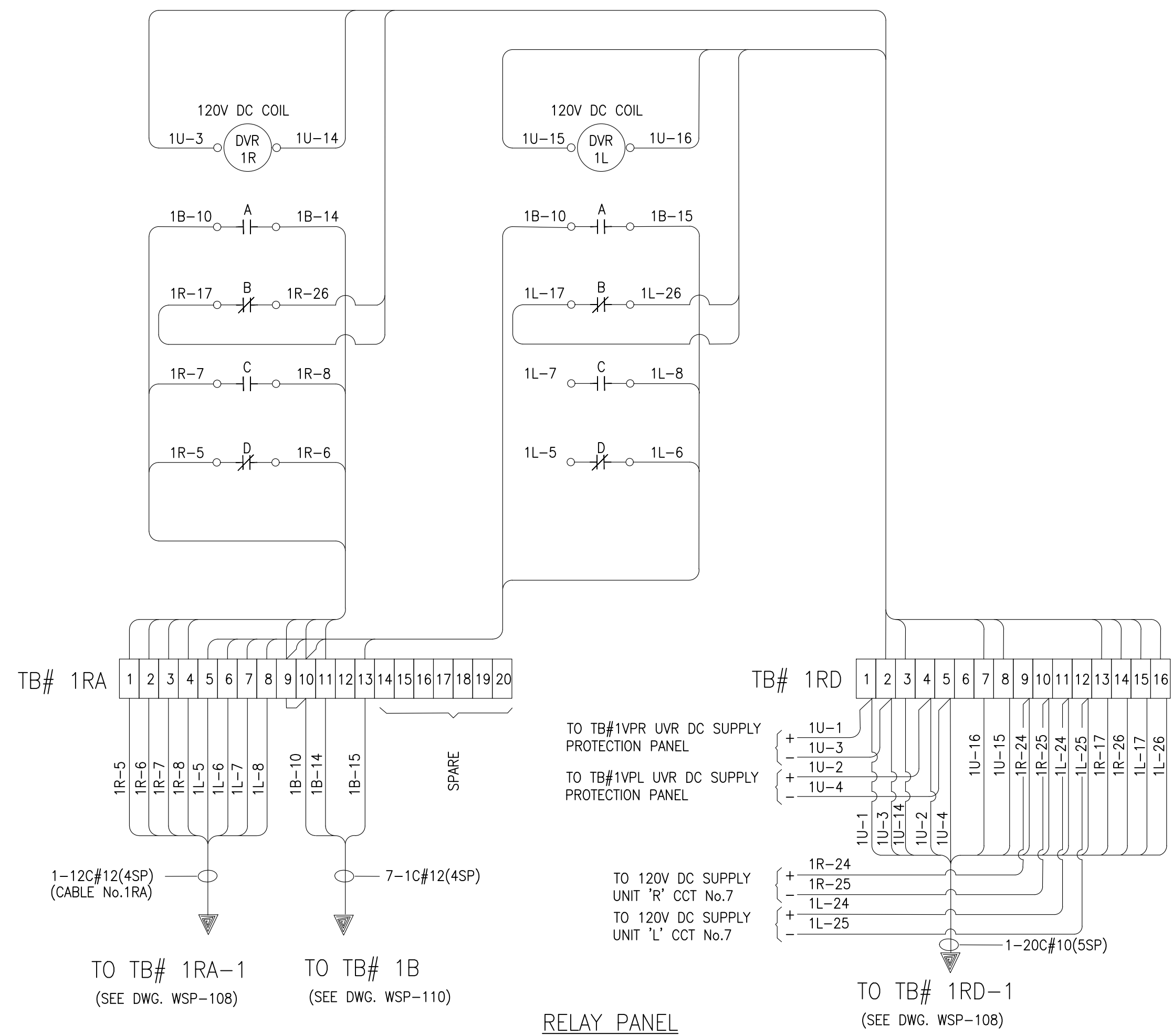
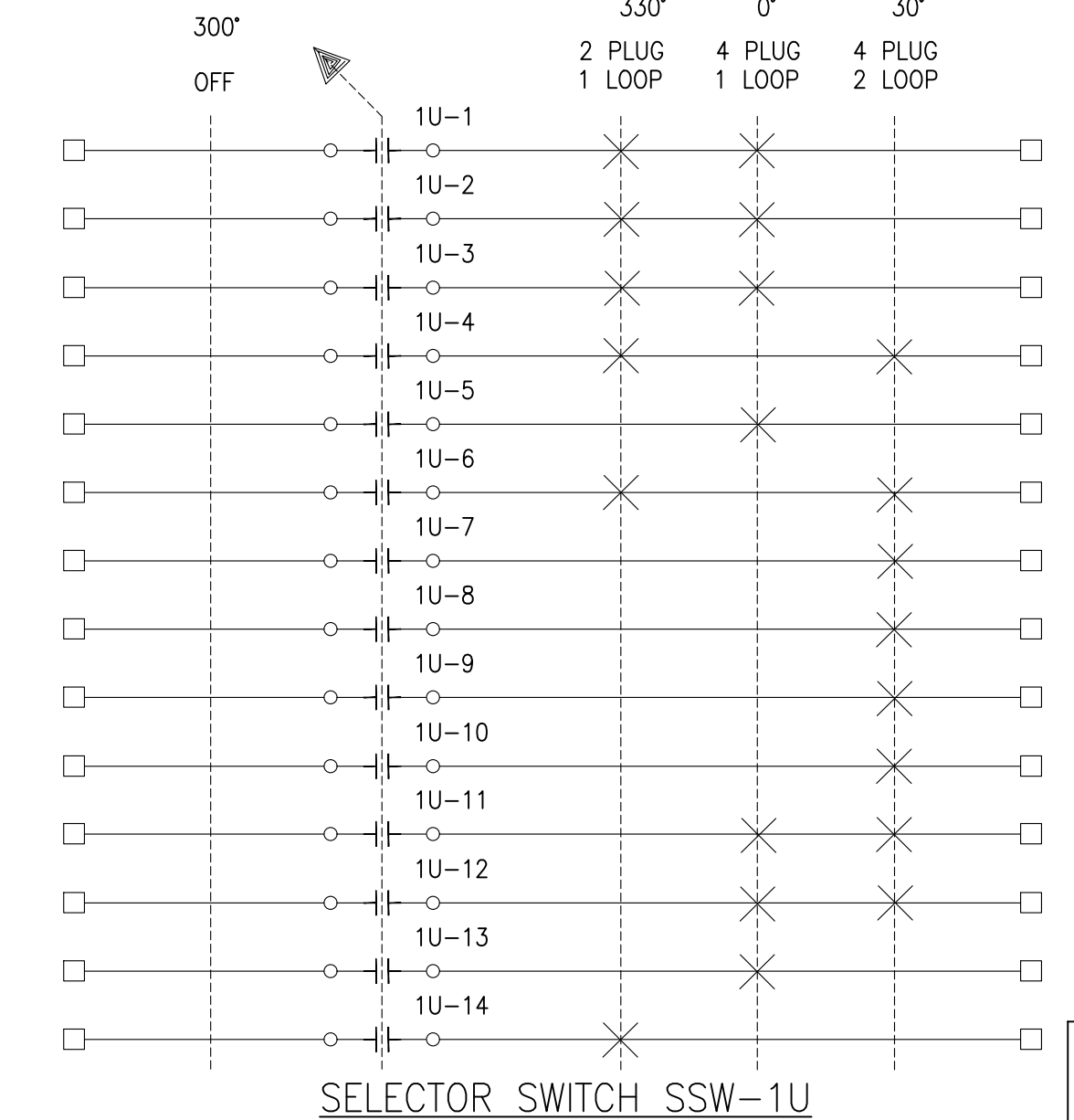
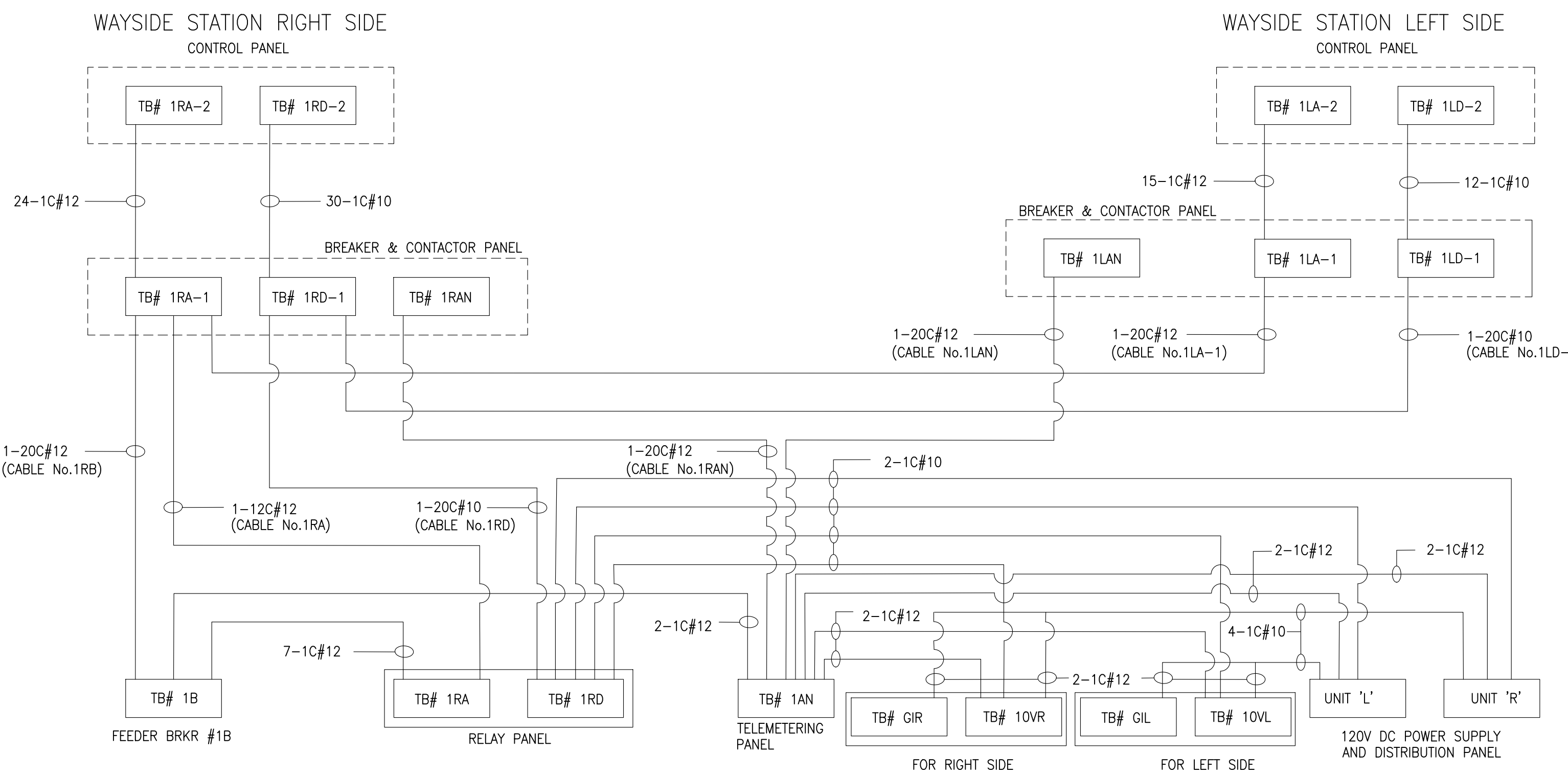


D SIZE 22" x 34" (558.8mm x 863.6mm)

Aug 15, 2018, 12:32pm, Login: nrcs, nrcs\c:\Users\james@go\Documents\WSP\WSP-110.dwg
Drawing Name: C:\Users\james@go\Documents\WSP\WSP-110.dwg



METRIC
ALL DIMENSIONS SHOWN ARE IN METRES AND/OR MILLIMETRES UNLESS OTHERWISE NOTED.



NOTES:

1. REFER TO ELECTRIFICATION STANDARDS AND SPECIFICATIONS FOR GROUNDING AND BONDING, EMI/EMF WITHSTAND REQUIREMENTS, CABLING REQUIREMENTS

NOTE:
THIS DRAWING IS TO BE USED ONLY AS A REFERENCE DRAWING FOR EXISTING INSTALLATIONS AND EXPANSION OF EXISTING EQUIPMENT AS NECESSARY. NOT TO BE USED IN NEW DESIGNS.

NOTE:
THIS DRAWING IS PROVIDED FOR INSTRUCTIONAL DESIGN PURPOSES ONLY BASED ON METROLINX GO TRANSIT DESIGN GUIDELINES AND REQUIREMENTS. THE CONSULTANT SHALL VERIFY FOR LOCAL CODE COMPLIANCE, EXISTING SITE CONDITIONS AND INTER DISCIPLINARY DRAWING COORDINATION. ALL DIMENSIONS AND SPECIFICATIONS SHOULD BE VERIFIED BY CONSULTANT AND/OR CONTRACTOR BEFORE ACTUAL CONSTRUCTION BEGINS.

GO TRANSIT PROJECT NO. XX

REFERENCE DRAWINGS		ISSUE		REVISIONS		DRAWN BY: XX XX	DESIGNED BY: XX XX	METROLINX	XXXXXX WAYSIDE POWER WIRING DIAGRAM AND CONTROL BLOCK DIAGRAM			
						CHECKED BY: XX XX	APPROVED BY: XX XX		CONTRACT NO. XX	DWG. NO. WSP-110	REV. 0	SHEET XX XX
DWG. NO.		TITLE		REV. DATE		SCALE: N.T.S. FULL SIZE ONLY						