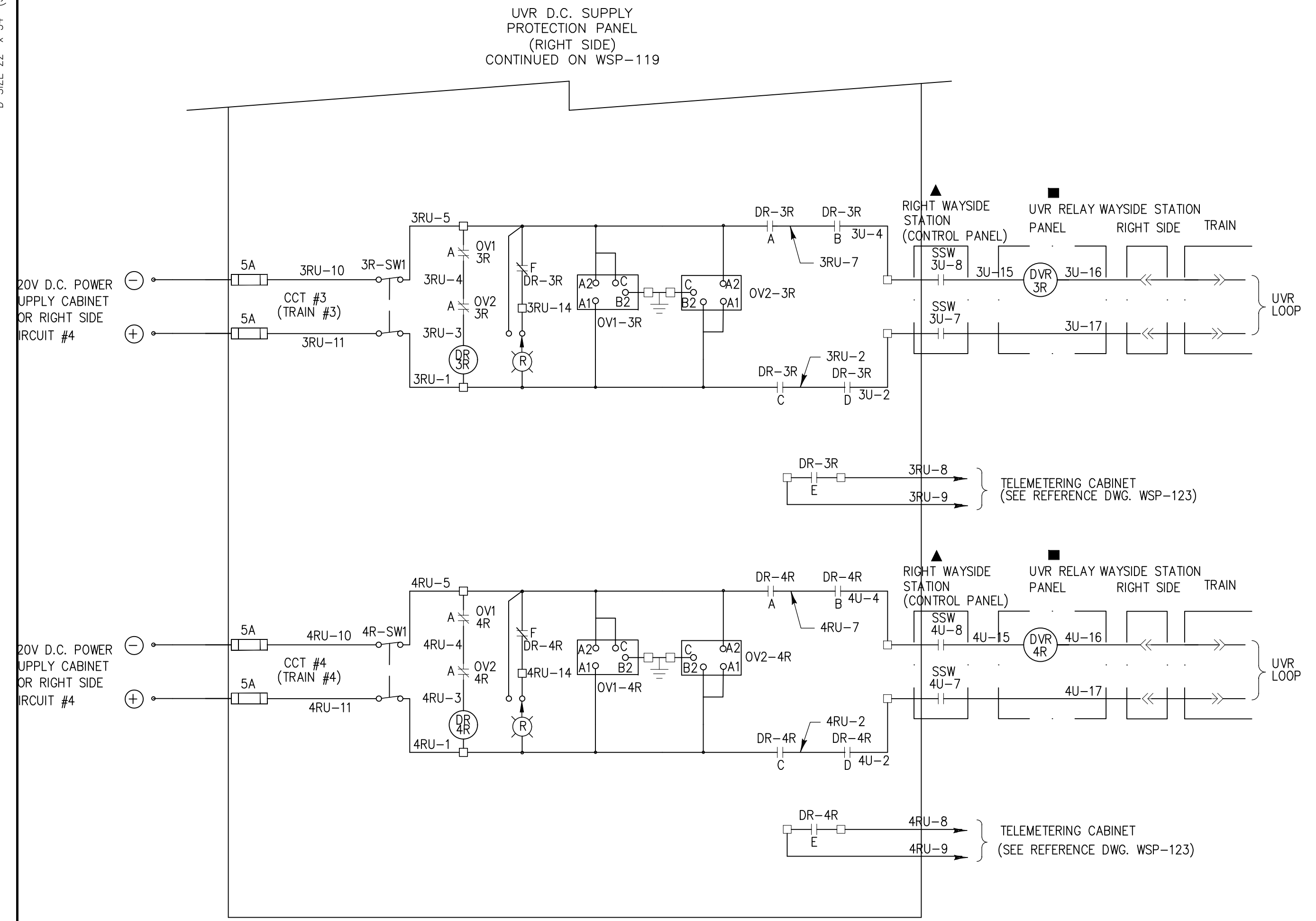


D SIZE 22" x 34" (558.8mm x 863.6mm)

METRIC

ALL DIMENSIONS SHOWN ARE IN METRES AND/OR MILLIMETERS UNLESS OTHERWISE NOTED.

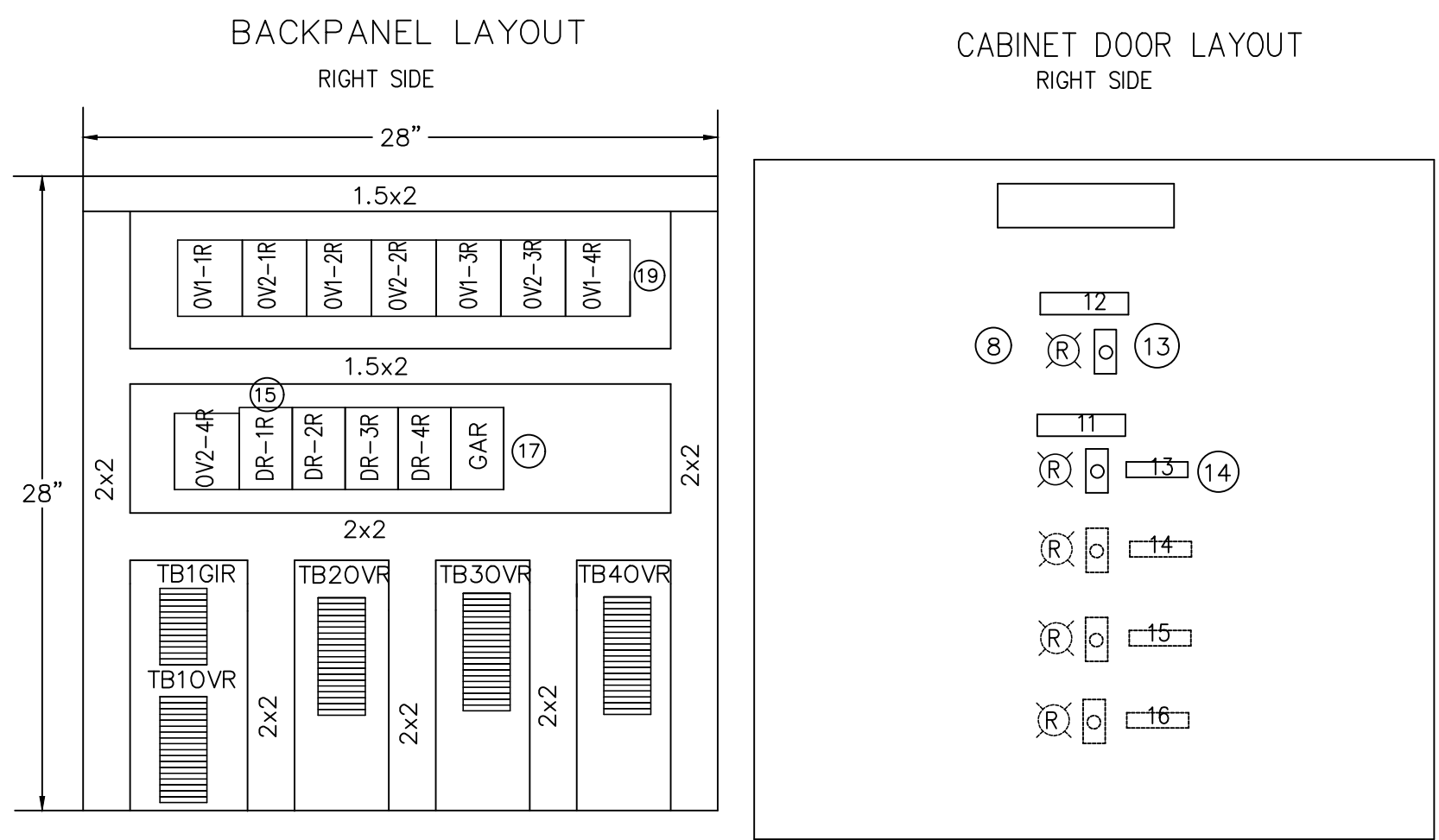


UVR D.C. SUPPLY PROTECTION CONTROL SCHEMATIC DIAGRAM RIGHT SIDE

OV1 & OV2 RELAY SETTINGS

u%: 70  
Hys: 30  
R: 100  
Function: >1

UVR DC SUPPLY PROTECTION CABINET



NOTES:

- CONSULTANTS ARE TO REVIEW ALL WIRE SIZING TO TAKE INTO ACCOUNT; DERATING AND 3% MAXIMUM VOLTAGE DROP FACTORS. WIRE SIZES ARE SUGGESTIONS ONLY!
- COMPONENT CROSS REFERENCES SHOWN AS: XXXY WHERE "XX" REPRESENTS FINAL 2 DIGITS OF REFERENCE DRAWING # AND "YY" REPRESENTS QUADRANT LOCATION ON DWG. I.E. 02C1 = WSP-102 QUAD. C1.
- REFER TO ELECTRIFICATION STANDARDS AND SPECIFICATIONS FOR GROUNDING AND BONDING, EMI/EMF WITHSTAND REQUIREMENTS, CABLING REQUIREMENTS

NAME PLATE DATA

- UVR CIRCUIT (AC OVERVOLTAGE)
- UVR CIRCUIT (GROUNDING)
- TRACK #1
- TRACK #2
- TRACK #3
- TRACK #4

NOTE: THIS DRAWING IS TO BE USED ONLY AS A REFERENCE DRAWING FOR EXISTING INSTALLATIONS AND EXPANSION OF EXISTING EQUIPMENT AS NECESSARY. NOT TO BE USED IN NEW DESIGNS.

NOTE: THIS DRAWING IS PROVIDED FOR INSTRUCTIONARY DESIGN PURPOSES ONLY BASED ON METROLINX GO TRANSIT DESIGN GUIDELINES AND REQUIREMENTS. THE CONSULTANT SHALL VERIFY FOR LOCAL CODE COMPLIANCE, EXISTING SITE CONDITIONS AND INTER DISCIPLINARY DRAWING COORDINATION. ALL DIMENSIONS AND SPECIFICATIONS SHOULD BE VERIFIED BY CONSULTANT AND/OR CONTRACTOR BEFORE ACTUAL CONSTRUCTION BEGINS.

GO TRANSIT PROJECT NO. XX

REFERENCE DRAWINGS	ISSUE	REVISIONS	DRAWN BY:	DESIGNED BY:
			XX XX	XX XX
			CHECKED BY:	APPROVED BY:
			XX XX	XX XX
			SCALE: N.T.S.	FULL SIZE ONLY
DWG. NO.	TITLE	REV. DATE	ISSUED FOR	REV. DATE

DRAWN BY:	DESIGNED BY:
CHECKED BY:	APPROVED BY:
SCALE: N.T.S.	FULL SIZE ONLY



XXXXXX  
WAYSIDE POWER  
UVR DC SUPPLY CIRCUIT PROTECTION  
RIGHT SIDE (2 OF 2)

CONTRACT NO. XX	DWG. NO. WSP-122	REV. 0	SHEET XX XX
--------------------	---------------------	-----------	----------------

Aug 21, 2018, 11:17am - Login Name: QIA0860738  
 Drawing Name: C:\pwworking\metrolinx\batch\global\_elec\860738\dwg\WSP-122.dwg