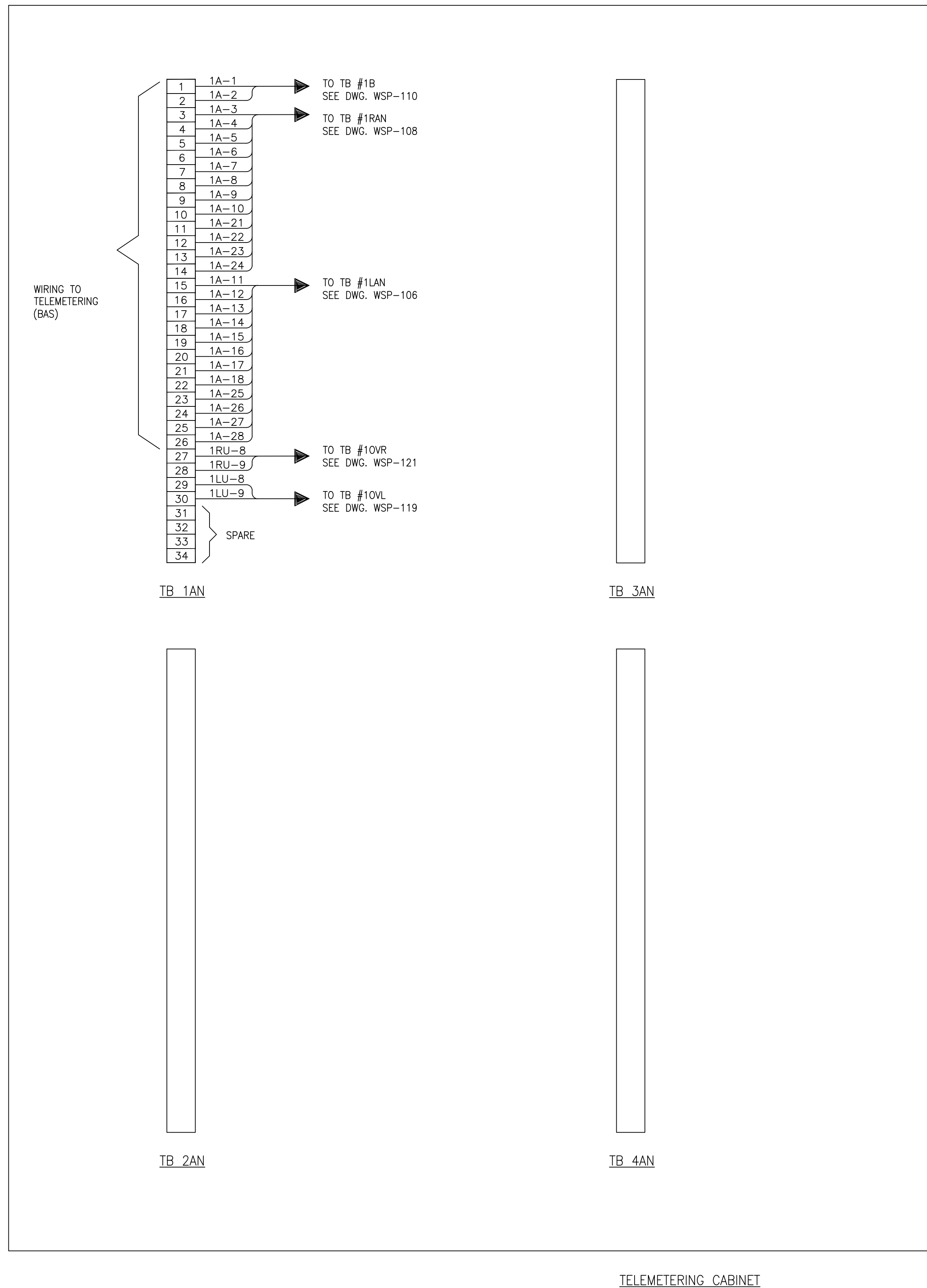
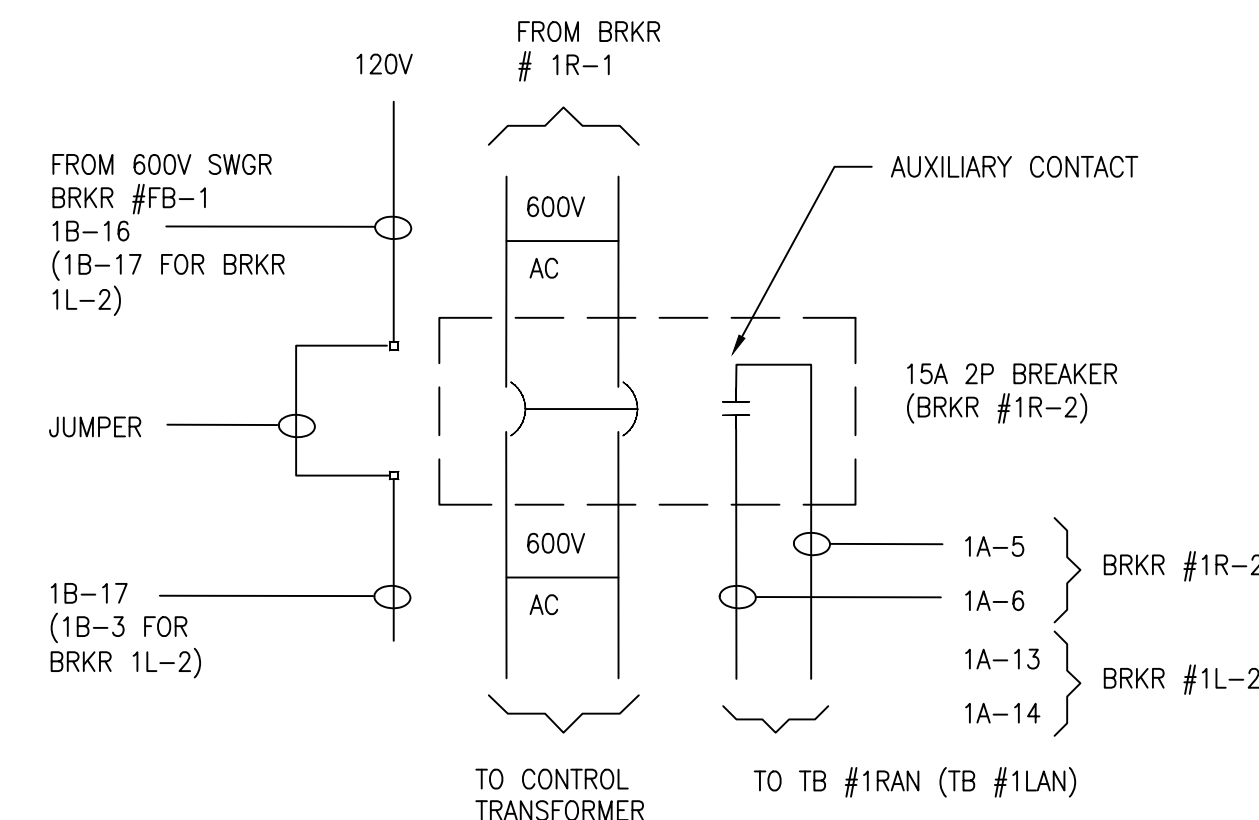


ALL DIMENSIONS SHOWN ARE IN METRES AND/OR MILLIMETRES UNLESS OTHERWISE NOTED.



INPUT SERVICE	STATUS	DESCRIPTION
1A-1	OPEN	MAIN FEEDER BRKR No. 1B (FB-1)
1A-1	OPEN	FEEDER BRKR No. 1R-1
1A-1	OPEN	CONTROL BRKR No.1R-2
1A-1	OVERLOAD TRIPPED	CONTACTOR No.1R-C1
1A-1	OVERLOAD TRIPPED	CONTACTOR No.1R-C3
1A-1	OPEN	FEEDER BRKR No.1L-1
1A-1	OPEN	CONTROL BRKR No.1L-2
1A-1	OVERLOAD TRIPPED	CONTACTOR No.1L-C2
1A-1	OVERLOAD TRIPPED	CONTACTOR No.1L-C4
1A-1	OPEN	CONTACTOR No.1R-C1
1A-1	OPEN	CONTACTOR No.1R-C3
1A-1	OPEN	CONTACTOR No.1R-C2
1A-1	OPEN	CONTACTOR No.1R-C4

ANNUNCIATION POINTS



WAYSIDE CONTROL CIRCUIT SUPPLY CIRCUIT BRKR #1R-2 (#1L-2) WIRING DIAGRAM (TYPICAL)

NOTES:

- TB#AN IS TO BE PART OF TELEMETERY CABINET AND TO HAVE 20% SPARE CAPACITY FOR TERMINATIONS.
- TELEMETERY CABINET IS TO BE SIZED FOR FOUR TRAINS WITH 20% SPARE CAPACITY (4 X TB#AN)
- "1" DENOTES TRAIN NUMBER.
- CONSULTANTS ARE TO REVIEW ALL WIRE SIZING TO TAKE INTO ACCOUNT; DERATING AND 3% MAXIMUM VOLTAGE DROP FACTORS. WIRE SIZES ARE SUGGESTIONS ONLY!
- COMPONENT CROSS REFERENCES SHOWN AS: XXYY WHERE "XX" REPRESENTS FINAL 2 DIGITS OF REFERENCE DRAWING # AND "YY" REPRESENTS QUADRANT LOCATION ON DWG. I.E. 02C1 = WSP-102 QUAD. C1
- REFER TO ELECTRIFICATION STANDARDS AND SPECIFICATIONS FOR GROUNDING AND BONDING, EMI/EMF WITHSTAND REQUIREMENTS, CABLING REQUIREMENTS.

NOTE: THIS DRAWING IS TO BE USED ONLY AS A REFERENCE DRAWING FOR EXISTING INSTALLATIONS AND EXPANSION OF EXISTING EQUIPMENT AS NECESSARY. NOT TO BE USED IN NEW DESIGNS.

NOTE: THIS DRAWING IS PROVIDED FOR INSTRUCTIONAL DESIGN PURPOSES ONLY BASED ON METROLINX GO TRANSIT DESIGN GUIDELINES AND REQUIREMENTS. THE CONSULTANT SHALL VERIFY FOR LOCAL CODE COMPLIANCE, EXISTING SITE CONDITIONS AND INTER DISCIPLINARY DRAWING COORDINATION. ALL DIMENSIONS AND SPECIFICATIONS SHOULD BE VERIFIED BY CONSULTANT AND/OR CONTRACTOR BEFORE ACTUAL CONSTRUCTION BEGINS.

GO TRANSIT PROJECT NO. XX

REFERENCE DRAWINGS		ISSUE		REVISIONS		DRAWN BY: XX XX	DESIGNED BY: XX XX		XXXXXX WAYSIDE POWER TELEMETERING CABINET LAYOUT		CONTRACT NO. XX	DWG. NO. WSP-123	REV. 0	SHEET XX XX
						CHECKED BY: XX XX	APPROVED BY: XX XX							
						SCALE: N.T.S. FULL SIZE ONLY								
DWG. NO.	TITLE	REV.	DATE	ISSUED FOR	REV.	DATE								