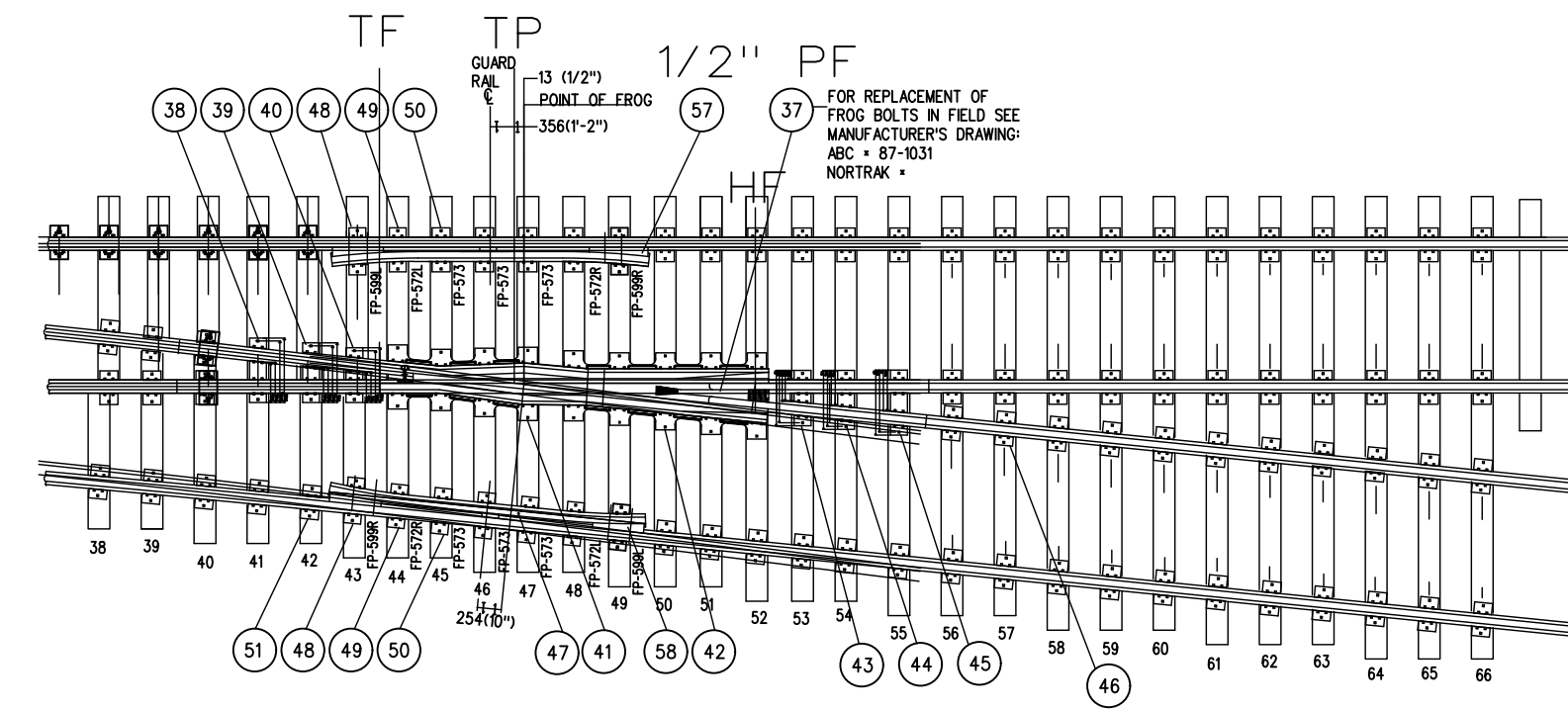
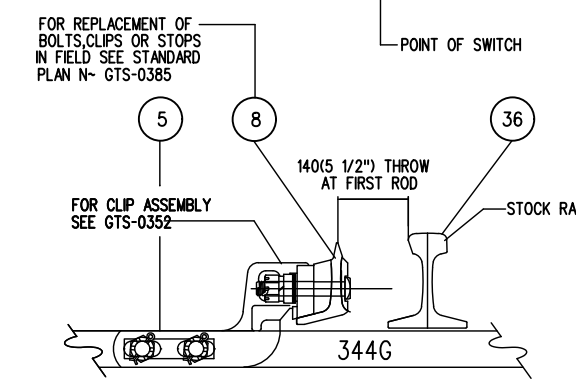


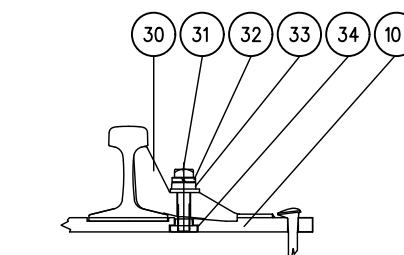
GENERAL ARRANGEMENT  
DRAWING NO. GTS-0053A  
RIGHT HAND TURNOUT



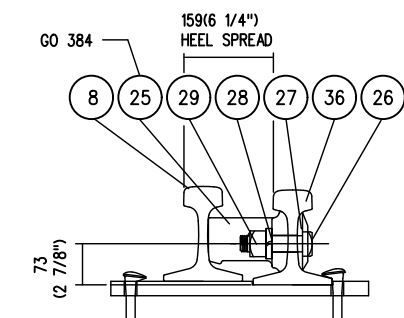
GUARD RAIL ASSEMBLY



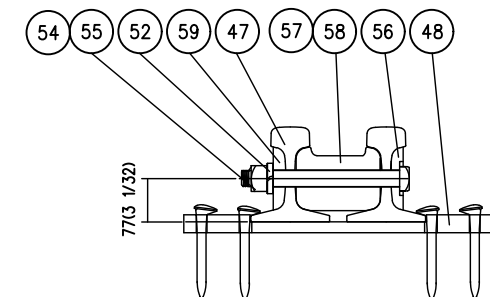
"MJ" CLIP ASSEMBLY



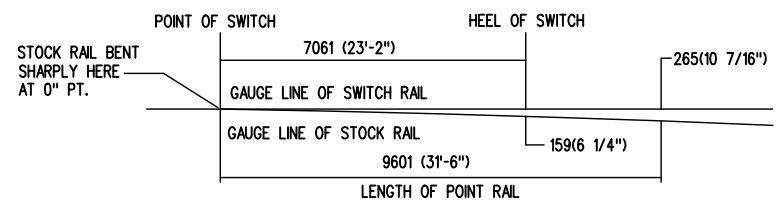
ADJUSTABLE  
RAIL BRACE ASSEMBLY



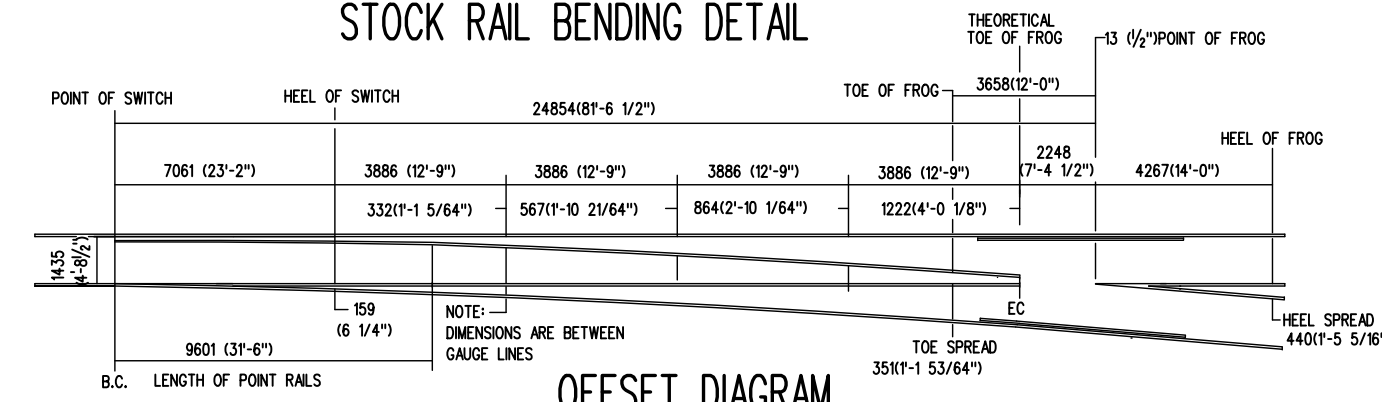
HEEL BLOCK  
ASSEMBLY



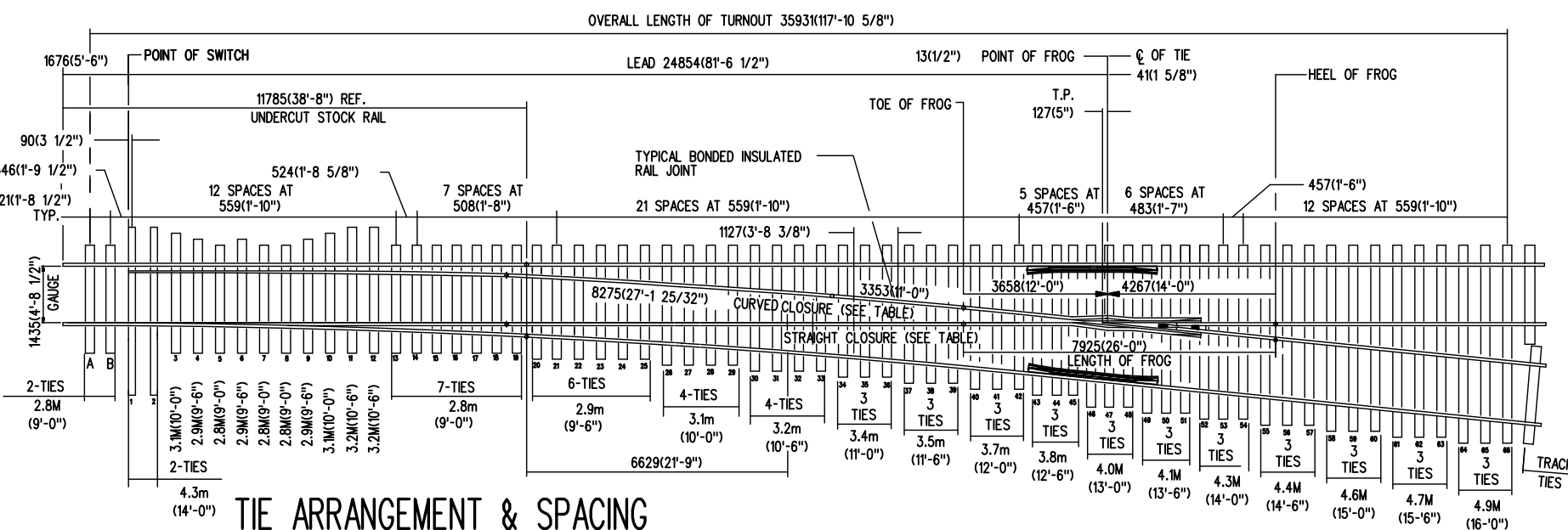
- NOTES:
- TURNOUT TO BE INSTALLED AND MAINTAINED IN ACCORDANCE WITH THE LATEST ISSUE OF:  
GO TRACK STANDARDS 3500 TURNOUTS  
GO TRACK STANDARDS 3502 POWER, SPRING AND INSULATED SWITCHES  
GO TRACK STANDARDS 3506 SWITCH STANDS, SWITCH LAMPS AND TARGETS, WHERE APPLICABLE
  - WHEN REFERRING TO POWER OPERATED TURNOUTS, DRAWING NUMBER MUST BE STATED AS A,B,C, OR D TO INDICATE:  
A-RIGHT HAND TURNOUT P.O. MACHINE ON RIGHT  
B-RIGHT HAND TURNOUT P.O. MACHINE ON LEFT
  - FOR THE VARIOUS STANDARD TURNOUT COMBINATIONS SEE INDEX GTS-0000 SHEET 3 OF 3.
  - TURNOUT GEOMETRY, FOR TABLES OF DIMENSIONS AND OFFSETS SEE GTS-0001 NO. 8 TURNOUTS.



STOCK RAIL BENDING DETAIL



OFFSET DIAGRAM



TIE ARRANGEMENT & SPACING

TURNOUT DATA

FROG NO.	8
LENGTH OF SWITCH PT.	5029 (16'-6'')
HEEL SPREAD	159 (6 1/4'')
LEAD	20695 (67'-10 3/4'')
P.S. TO H.F.	23133 (75'-10 3/4'')

14143 (46'-4 3/4'') STRAIGHT CLOSURE LENGTH  
MADE UP BY A 11595(38'-0 1/2'') RAIL OR:  
A 10058(33') & 4085(13'-4 3/4'') RAIL.  
A 9144(30') & 4999(16'-4 3/4'') RAIL.

14205(46'-7 1/4'') CURVED CLOSURE LENGTH  
MADE UP BY A 14205(46'-7 1/4'') RAIL OR:  
A 10058(33') & 4147(13'-7 1/4'') RAIL.  
A 9144(30') & 5061(16'-7 1/4'') RAIL.

METRIC CONVERSION: 1 inch=25.4mm, 1 foot=304.8mm

No.	1	Date	18/07/27	Revision	ADDED IMPERIAL TO METRIC CONVERSION NOTE	By Approved
-----	---	------	----------	----------	--	-------------

Standard: NO. 8 TURNOUT  
16'6" POINTS-INSULATED  
UNIFORM RISER DESIGN  
RBM FROG 115 LB. RE RAIL-WOOD TIES

Drawn RFP Checked GS Approved V.P. Engineering & Asset Management

Date SEPT 15/2017 Plan Number GTS-0053 Rev 1

REFERENCE: TS-0053AB\_R0 Sheet 1 OF 1