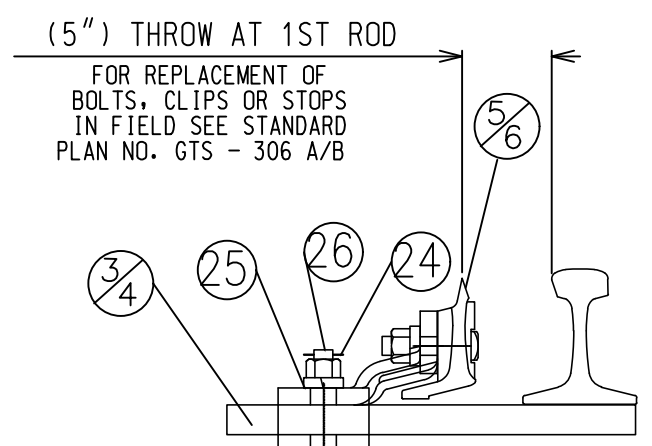
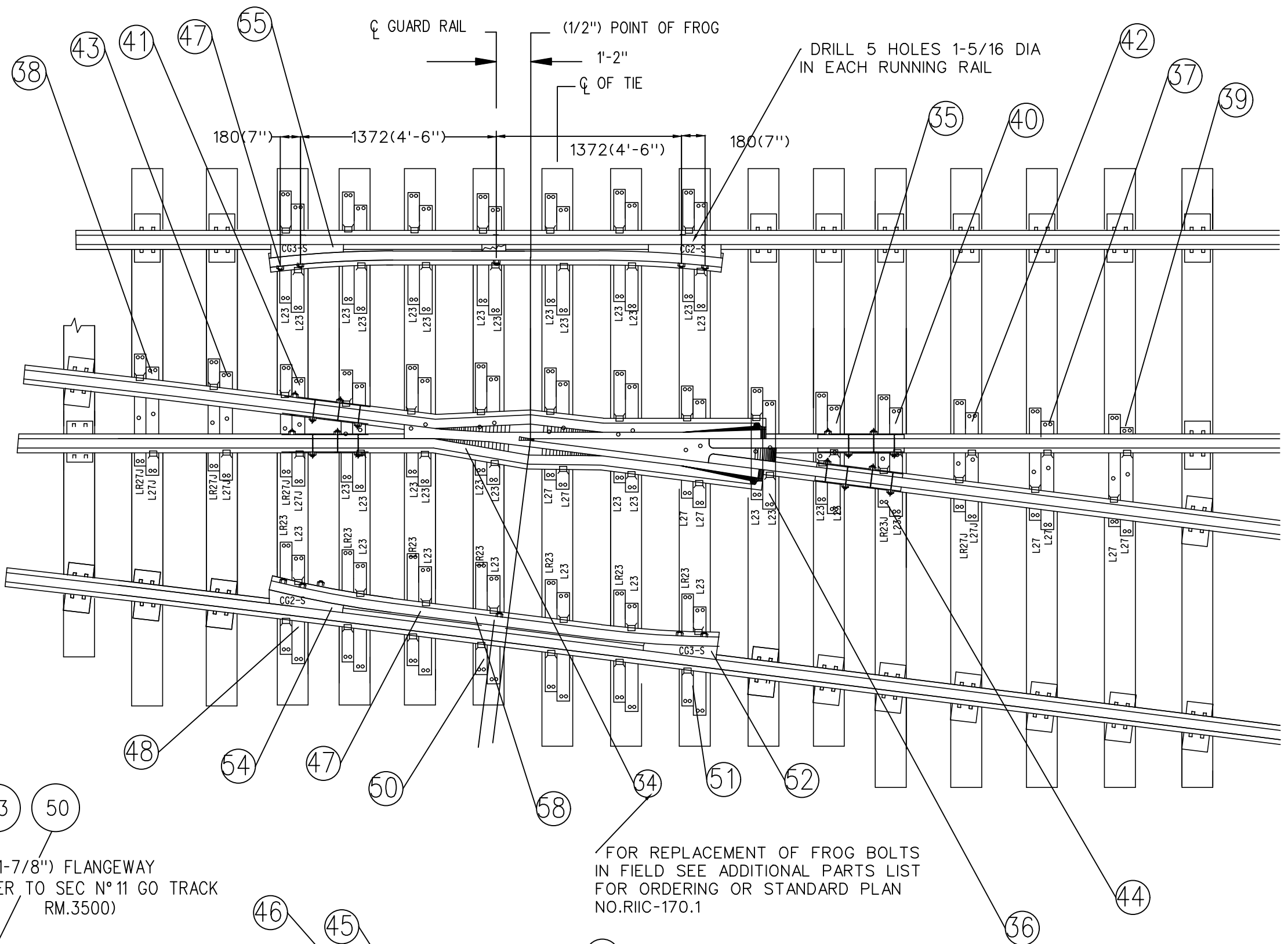
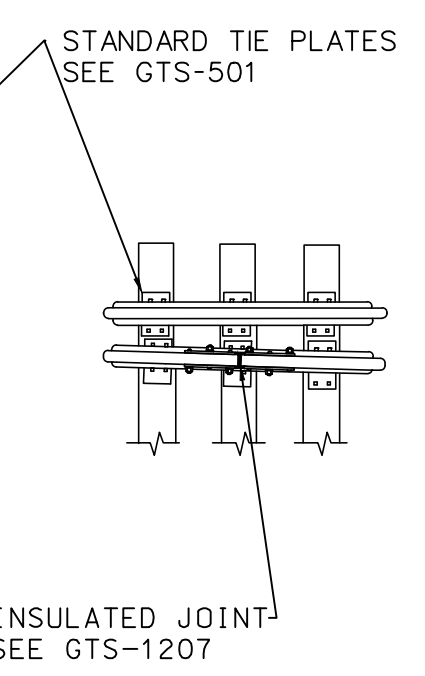
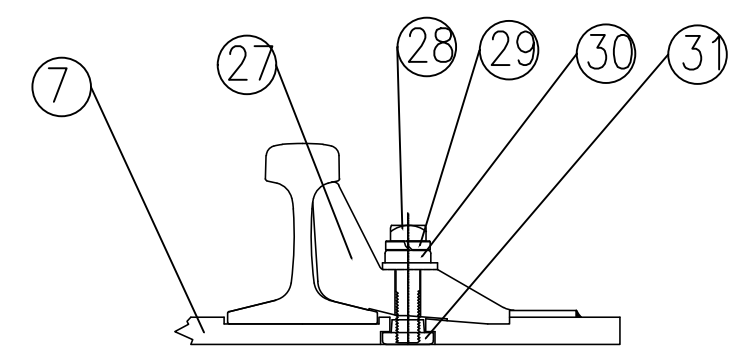


GENERAL ARRANGEMENT
DRAWING NO GTS-0098 A
RIGHT HAND TURNOUT

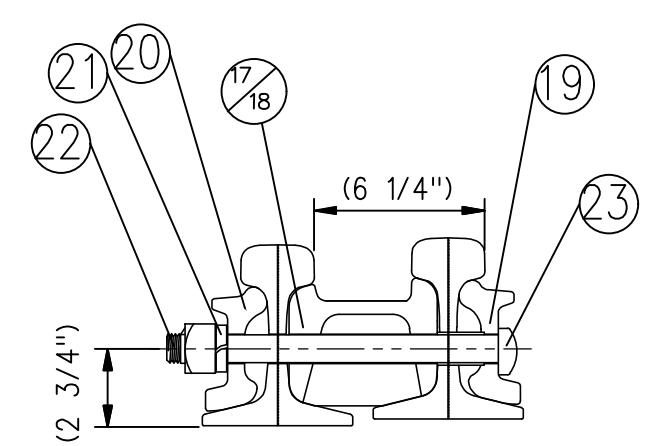
GUAGE 4'-8 1/2"
BEND IN STOCK RAIL SEE DETAIL BELOW
NOT LESS THAN 1370(4'-6") TO NEAREST JOINT.
POINT OF SWITCH
THIS HOLE TO BE USED ONLY FOR SPIKING POINTS IN CLOSED POSITION
DRILL 4 HOLES -30 (1 3/16") DIA. IN EACH STOCK RAIL
5 1/2" 5 1/2" 5 1/2"



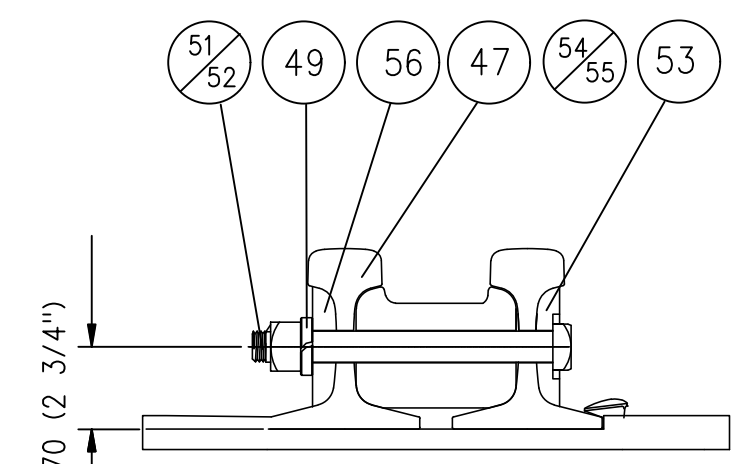
SWITCH CLIP ASSEMBLY



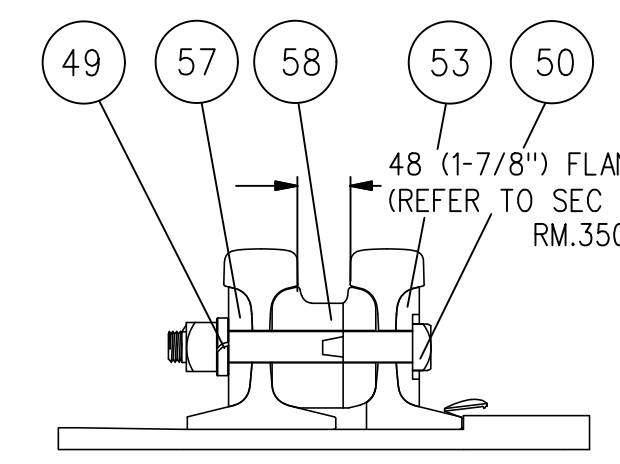
ADJUSTABLE RAIL BRACE ASSEMBLY



HEEL BLOCK ASSEMBLY



GUARD RAIL ASSEMBLIES

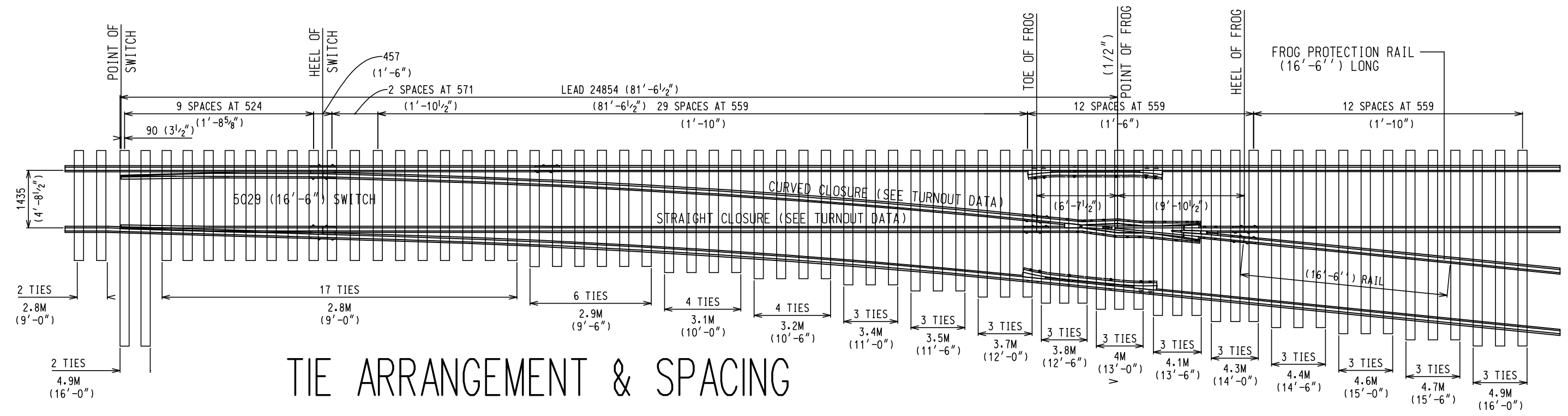


SPLICE BAR ASSEMBLY

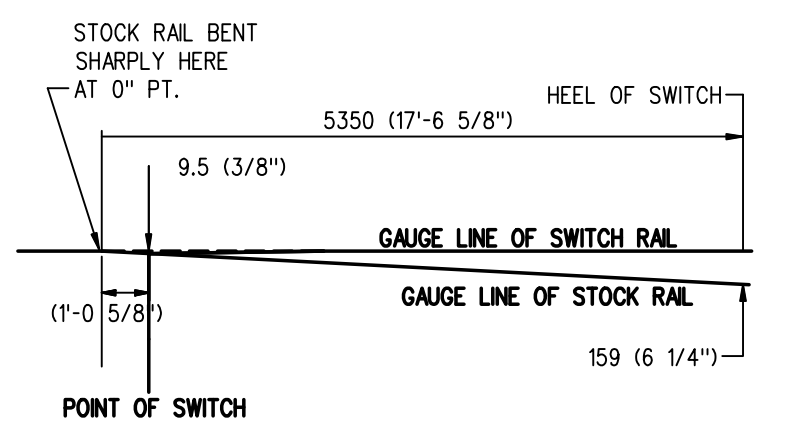
TURNOUT DATA:
FROG NO -----10
LENGTH OF SWITCH-----16'-6"
HEEL SPREAD-----6 1/4"
LEAD-----81'-6 1/2"
PS TO H.F.-----91'-5"

58'-5" STRAIGHT CLOSURE LENGTH
MADE UP BY A 58'-5" RAIL OR:
A 39' AND 19'-5" RAIL
A 36' AND 22'-5" RAIL
A 33' AND 25'-5" RAIL
A 30' AND 28'-5" RAIL

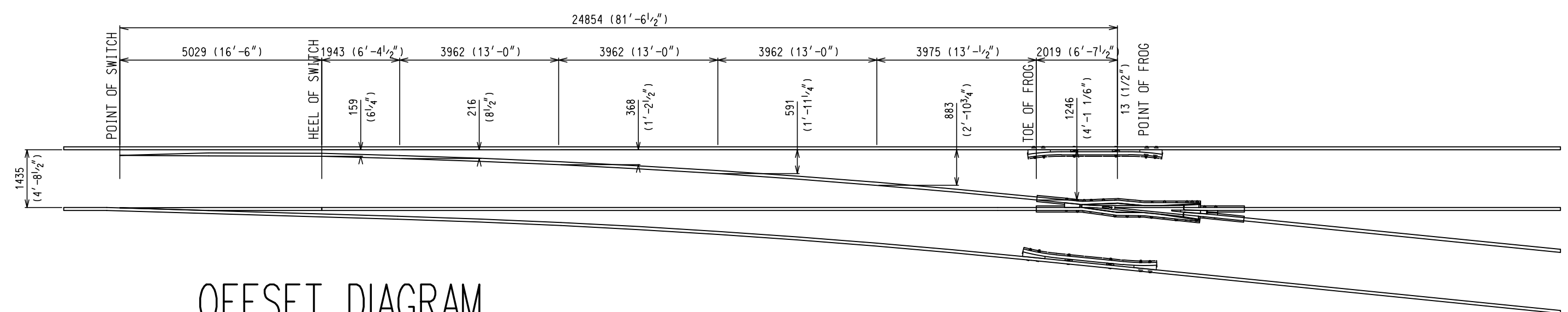
58'-7" CURVE CLOSURE LENGTH
MADE UP BY A 58'-7" RAIL OR:
A 39' AND 19'-7" RAIL
A 36' AND 22'-7" RAIL
A 33' AND 25'-7" RAIL
A 30' AND 28'-7" RAIL



TIE ARRANGEMENT & SPACING



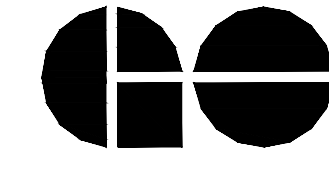
STOCK RAIL BENDING DETAIL



OFFSET DIAGRAM

NOTES
1- TURNOUT TO BE INSTALLED AND MAINTAINED IN ACCORDING WITH THE LATEST ISSUE OF:
RM.3500 TURNOUTS
RM.3502 POWER, SPRING AND INSTALLED SWITCH
RM.3506 SWITCH STAND, SWITCH LAMPS AND TARGETS, WHERE APPLICABLE
2- WHEN REFERRING TO MANUAL TURNOUTS, DRAWING NUMBER MUST BE STATED AS A OR B:
A-RIGHT HAND TURNOUT
B-LEFT HAND TURNOUT
3- FOR GENERAL ARRANGEMENT OF SWITCH STAND & COMBINATION SEE GTS-701 AND GTS-702
4- FOR THE VARIOUS STANDARD TURNOUT COMBINATIONS SEE INDEX SHEET GTS-0
5- TURNOUT GEOMETRY, FOR TABLES OF DIMENSIONS AND OFFSETS SEE GTS-2

METRIC CONVERSION: 1 inch=25.4mm, 1 foot=304.8mm		
No.	Date	Revision
1	18/07/27	ADDED IMPERIAL TO METRIC CONVERSION NOTE
Standard		By Approved
NO. 10 TURNOUT-16'-6" POINTS R.B.M FROG INSULATED 100LB. A.R.A.A. RAIL		
Drawn	Checked	Approved
MG	GGG	VP Engineering & Asset Management
Date	Plan Number	Rev
DEC 15, 2017	GTS-0099	1
REFERENCE: TS-99 A/B		Sheet 1 OF 1



METROLINX

