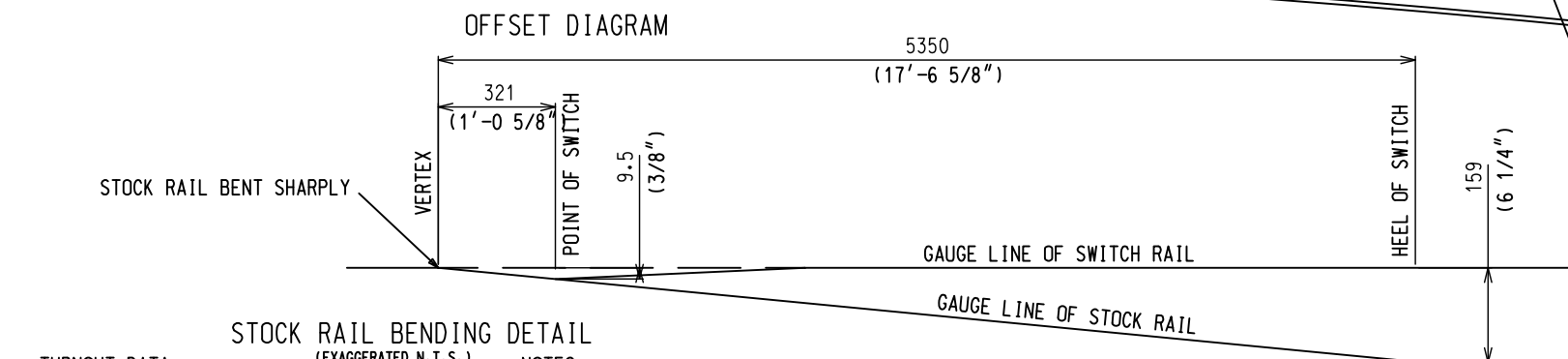
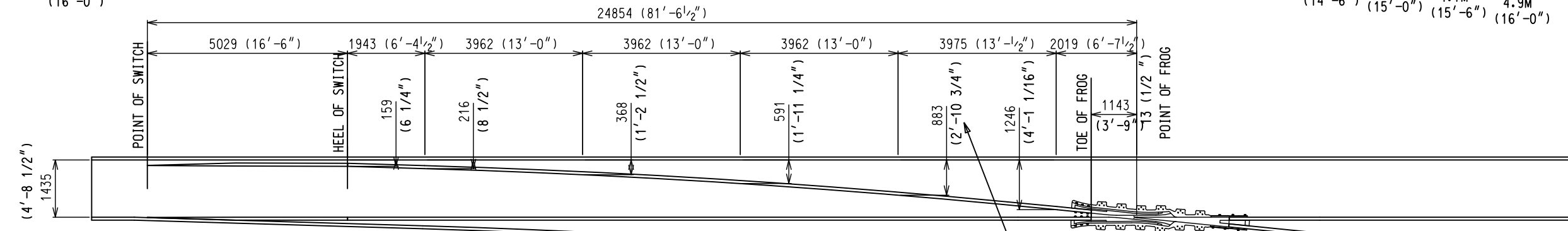
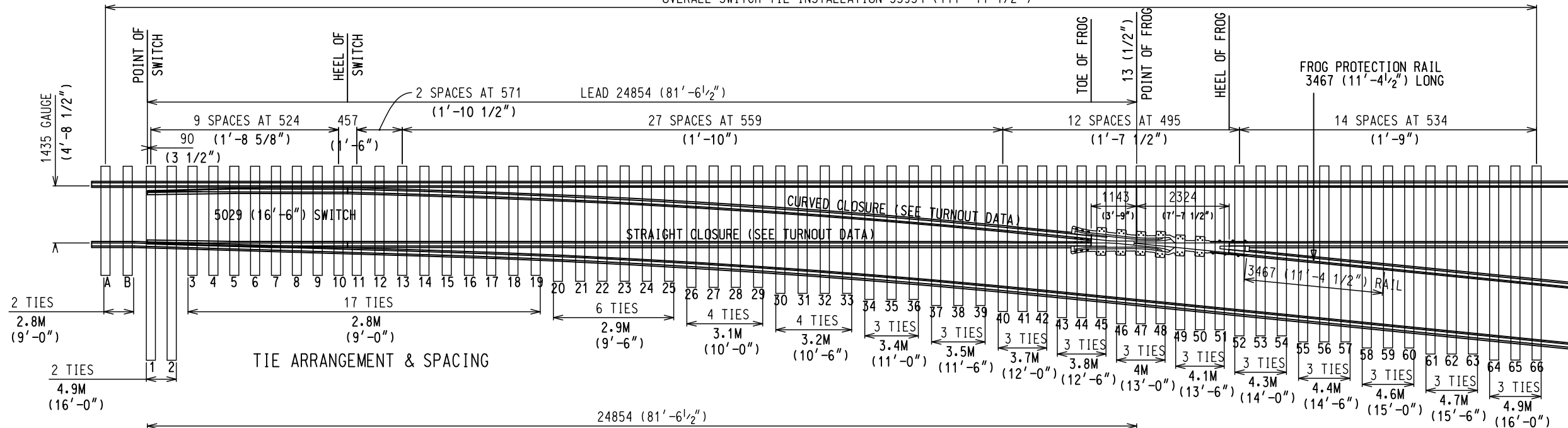


OVERALL SWITCH TIE INSTALLATION 35954 (117'-11 1/2")



NOTE: DIMENSIONS ARE BETWEEN GAUGE LINES

STOCK RAIL BENDING DETAIL
(EXAGGERATED N.T.S.)

TURNOUT DATA

FROG NO.	10
LENGTH OF SW. PT.	5029 (16'-6")
HEEL SPREAD	159 (6'-6 1/4")
LEAD	24854 (81'-6 1/2")
P.S. TO H.F.	27178 (89'-2")
18682 (61'-3 1/2") STRAIGHT CLOSURE LENGTH MADE UP BY A 18682 (61'-3 1/2") RAIL OR: A 11887 (39') & 6795 (22'-3 1/2") RAIL A 10973 (36') & 7709 (25'-3 1/2") RAIL A 10058 (33') & 8624 (28'-3 1/2") RAIL	
18732 (61'-5 1/2") CURVED CLOSURE LENGTH MADE UP BY A 18732 (61'-5 1/2") RAIL OR: A 11887 (39') & 6845 (22'-5 1/2") RAIL A 10973 (36') & 7759 (25'-5 1/2") RAIL A 10058 (33') & 8674 (28'-5 1/2") RAIL	

NOTES:

- TURNOUT TO BE INSTALLED AND MAINTAINED IN ACCORDANCE WITH THE LATEST ISSUE OF: GO TRANSIT TRACK STANDARDS RC-0506-02TRK SECTION 16-TURNOUT INSPECTION
- WHEN REFERRING TO MANUAL TURNOUTS, DRAWING NUMBER MUST BE STATED AS "A" OR "B" TO INDICATE:
A - RIGHT HAND TURNOUT (ILLUSTRATED)
B - LEFT HAND TURNOUT
- FOR GENERAL ARRANGEMENT OF SWITCH STAND & CONNECTING ROD SEE GTS-0701 AND GTS-0702
- FOR THE VARIOUS STANDARD TURNOUT COMBINATIONS SEE INDEX SHEET GTS-0000
- TURNOUT GEOMETRY, FOR TABLES OF DIMENSIONS AND OFFSETS SEE GTS-0002

ALL METRIC MEASUREMENTS, MILLIMETERS UNLESS STATED OTHERWISE, ARE A ROUND SOFT CONVERSION OF BRITISH UNITS SHOWN IN BRACKETS.

METRIC CONVERSION: 1 inch=25.4mm, 1 foot=304.8mm

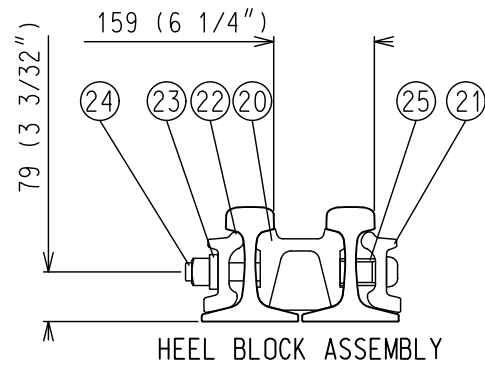
1	18/07/27	ADDED IMPERIAL TO METRIC CONVERSION NOTE	
No.	Date	Revision	By Approved

Standard / **NO. 10 TURNOUT-16' 6" POINTS
INSULATED-SAMSON POINTS
S.G.M. FROG-132 LB. R.E. RAIL**

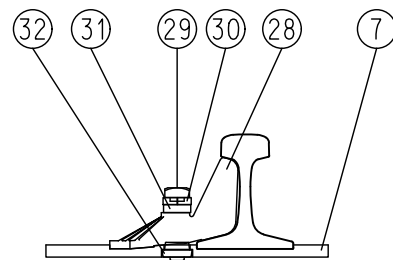
Drawn MC Checked BC Approved *[Signature]*
VP Engineering & Asset Management



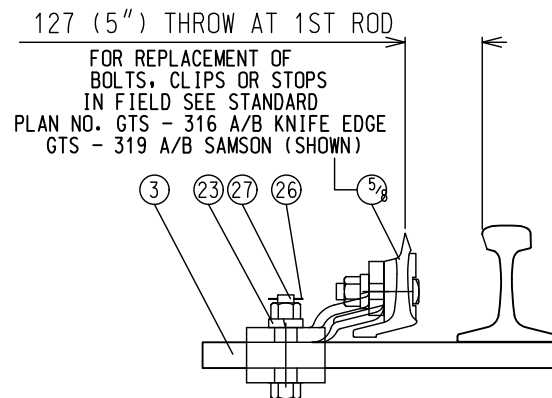
Date SEPT 15/2017 Plan Number GTS-0151 Rev 1



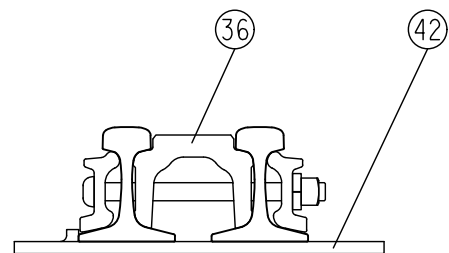
HEEL BLOCK ASSEMBLY



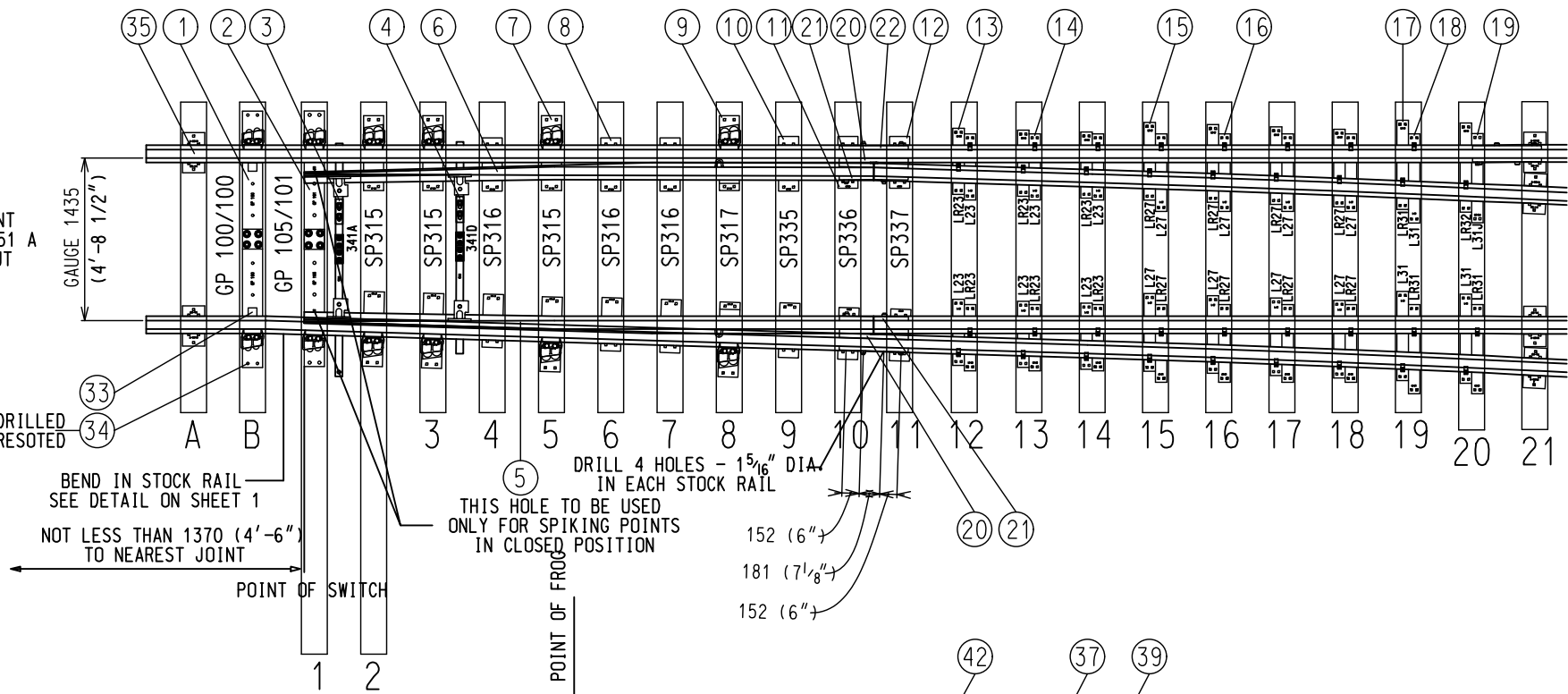
ADJUSTABLE RAIL BRACE ASSEMBLY



SWITCH CLIP ASSEMBLY



HEEL OF FROG ASSEMBLY

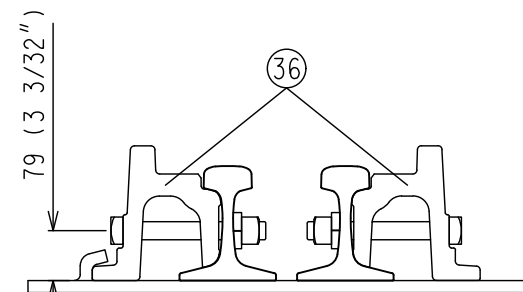


GENERAL ARRANGEMENT
DRAWING NO. GTS-0151 A
RIGHT HAND TURNOUT

ALL LAG BOLT HOLES TO BE DRILLED
9/16" DIA. THROUGH TIE & CRESOTED

BEND IN STOCK RAIL
SEE DETAIL ON SHEET 1
NOT LESS THAN 1370 (4'-6")
TO NEAREST JOINT

DRILL 4 HOLES - 1 5/16" DIA.
IN EACH STOCK RAIL
THIS HOLE TO BE USED
ONLY FOR SPIKING POINTS
IN CLOSED POSITION



TOE OF FROG ASSEMBLY

METRIC CONVERSION: 1 inch=25.4mm, 1 foot=304.8mm

No.	Date	Revision	By Approved
1	18/07/27	ADDED IMPERIAL TO METRIC CONVERSION NOTE	

Standard / **NO. 10 TURNOUT-16' 6" POINTS
INSULATED-SAMSON POINTS
S.G.M. FROG-132 LB. R.E. RAIL**

Drawn MC Checked BC Approved *[Signature]*
VP Engineering & Asset Management



Date SEPT 15/2017 Plan Number GTS-0151 Rev 1

REFERENCE: CN_TS-151 Sheet 2 OF 2

ALL METRIC MEASUREMENTS, MILLIMETERS UNLESS STATED OTHERWISE, ARE A ROUND SOFT CONVERSION OF BRITISH UNITS SHOWN IN BRACKETS.

BILL OF MATERIALS FOR GTS-0151						
ITEM	DESCRIPTION	STANDARD DRAWING	MARK NO.	QUANTITY		
				A	B	
SWITCH PACK						
1	1st. GAUGE PLATE C/W INSULATION PLATE 100/132	GTS-0522	GP100/GP100	1	1	
2	2nd. GAUGE PLATE C/W INSULATION PLATE 100/132	GTS-0522	GP105/GP101	1	-	
	2nd. GAUGE PLATE C/W INSULATION PLATE 100/132	GTS-0522	GP101/GP102	-	1	
3	SWITCH ROD	GTS-0341A	341A	1	1	
4	SWITCH ROD	GTS-0341D	341D	1	1	
5	RIGHT SAMSON POINT RAIL	GTS-0319A	319A	-	1	
	RIGHT POINT RAIL	GTS-0316A	316A	1	-	
6	LEFT SAMSON POINT RAIL	GTS-0319B	319B	1	-	
	LEFT POINT RAIL	GTS-0316B	316B	-	1	
7	SWITCH PLATE	GTS-0508	SP315	6	6	
8	SWITCH PLATE	GTS-0509	SP316	6	6	
9	SWITCH PLATE	GTS-0510	SP317	2	2	
10	SWITCH PLATE	GTS-0511	SP335	2	2	
11	SWITCH PLATE	GTS-0511	SP336	2	2	
12	SWITCH PLATE	GTS-0511	SP337	2	2	
13	HOOK TWIN TIE PLATE	GTS-0503	LR23	6	6	
14	HOOK TWIN TIE PLATE	GTS-0503	L23	6	6	
15	HOOK TWIN TIE PLATE	GTS-0503	LR27	8	8	
16	HOOK TWIN TIE PLATE	GTS-0503	L27	8	8	
17	HOOK TWIN TIE PLATE	GTS-0503	LR31	4	4	
18	HOOK TWIN TIE PLATE	GTS-0503	L31	3	3	
19	HOOK TWIN TIE PLATE	GTS-0503	L31J	1	1	
20	HEEL BLOCK	GTS-0360	16-6&22GP1-S	2	2	
21	BENT SPLICE BAR(4 HOLE) - 132/136 LB. R.E.	GTS-1204D	1204D	2	2	
22	STRAIGHT SPLICE BAR (4 HOLE) - 132/136 LB. R.E.	GTS-1203	-	1	1	
23	SPRING WASHER for 1 - 1/8" DIA. BOLT	GTS-1301	-	12	12	
24	1 - 1/8"DIA. - 7 NC OVAL NECK TRACK BOLT X 12 - 1/2" LG. C/W SQ. NUT	GTS-1320/4	-	8	8	
25	PIPE THIMBLE - 1 - 1/4" DIA. X 2 - 3/8" LONG	GTS-0345J	J	2	2	
26	1/4" COTTER PIN X 2" LG.	-	-	4	4	
27	1-1/8" DIA. - 7 UNC HEX HD. BOLT X 5" LG. C/W HEX NUT	GTS-1311/2	-	4	4	
28	ADJUSTABLE RAIL BRACE	GTS-0354	132M-14	12	12	
29	7/8" DIA. 9 UNC SQ. HD. BOLT X 3-3/4" LG.	GTS-1308/5	-	24	24	
30	SPRING WASHER for 7/8" DIA. BOLT	GTS-1301	-	24	24	
31	DOUBLE WASHER	GTS-0354	M-10	12	12	
32	DOUBLE NUT	GTS-0354	M-9	12	12	
33	PANDROL CLIP - PR 631A	GTS-1322	-	2	2	
34	DOUBLE SPRING WASHER - TYPE FE6	GTS-1310	-	16	16	
35	UNDERCUT STOCK RAIL - 100 LB. R.E.39' - 0" LG.	GTS-1105C	1105C	1	1	
FROG						
36	#10-132 LB. SELF GUARDED MANGANESE STEEL FROG (INTEGRAL BASE)	D-10229 NOR	-	1	1	
FROG PACK						
37	HOOK TWIN TIE PLATE	GTS-0503	LR23	2	2	
38	HOOK TWIN TIE PLATE	GTS-0503	L23	2	2	
39	HOOK TWIN TIE PLATE	GTS-0503	LR27	4	4	
40	HOOK TWIN TIE PLATE	GTS-0503	L27	4	4	
41	HOOK TWIN TIE PLATE	GTS-0503	H31	2	2	
42	HOOK TWIN TIE PLATE	GTS-0503	L23J	4	4	
43	STRAIGHT SPLICE BAR (4 HOLE) - 132/136 LB. R.E.	GTS-1203	-	1	1	
***TO UPGRADE EXISTING TURNOUT, REPLACE 132 LB. PLATES WITH EQUIVALENT 136 LB. PLATES. ***						
*** MINOR TIE SPACING ADJUSTMENTS MAY BE NECESSARY. ***						
TURNOUT PACKAGES						
TURNOUT NUMBER	DESCRIPTION	QUANTITY PER TURNOUT				
GTS- 151A	FROG SGM 10 - 132	1				
	SW-PK INS SAMSON HO NO. 10A - 132 LBS.	1				
	FR-PK SGM 10 - 132	1				
GTS- 151B	FROG SGM 10 - 132	1				
	SW-PK INS SAMSON HO NO. 10B - 132 LBS.	1				
	FR-PK SGM 10 - 132	1				
ABBREAVATIONS						
SW - PK - SWITCH PAK		SAM - SAMSON	SGM -			
FR - PK - FROG PAK		SELF GUARD MANGANESE	RBM -			
GR - PK - GUARD RAIL PAK		HO - HAND OPERATED				
INS - INSULATED		RAIL BOUND MANGANESE				
NOTE:						
1 - For a new installation, necessary rail, bonded insulated joints, splice bars, bolts, washers, rail anchors, connecting rod, switch stand, targe and reflectorized target kit may be required in addition to the materials listed above						
BILL OF SWITCH TIES FOR HAND AND SPRING OPERATION						
TIES 180 X 230 mm (7" X 9")						
LENGTH						
METRES	FEET/INCHES	NO. OF PIECES				
2.8	9' - 0"	19				
3.1	10' - 0"	10				
3.4	11' - 0"	7				
3.7	12' - 0"	6				
4.0	13' - 0"	6				
4.3	14' - 0"	6				
4.6	15' - 0"	6				
4.9	16' - 0"	8				
TOTAL NUMBER OF TIES - 68						