

NOTES

- 1- TURNOUT TO BE INSTALLED AND MAINTAINED IN ACCORDANCE WITH THE LATEST ISSUE OF:
GO TRANSIT TRACK STANDARDS RC-0506-02TRK SECTION 16-TURNOUT INSPECTION
- 2- WHEN REFERRING TO MANUAL TURNOUTS, DRAWING NUMBER MUST BE STATED AS A OR B TO INDICATE:
A - RIGHT HAND TURNOUT ILLUSTRATED
B - LEFT HAND TURNOUT
- 3- FOR GENERAL ARRANGEMENT OF SWITCH & CONNECTING ROD SEE GTS-0701 AND GTS-0702
- 4- FOR THE VARIOUS STANDARD TURNOUT COMBINATIONS SEE INDEX GTS-0000
- 5- TURNOUT GEOMETRY, FOR TABLES OF DIMENSIONS AND OFFSETS SEE GTS-0003

TURNOUT DATA

FROG No 12
 LENGTH OF SWITCH 6705 (22'-0")
 HEEL SPREAD 159 (6¹/₄")
 LEAD 29896 (98'-1")
 P.S. TO H.F. 33528 (110'-0")

21031 (69') STRAIGHT CLOSURE LENGTHS
 MADE UP BY A 21031 (69') RAIL OR:
 A 11887 (39') AND 9144 (30')
 A 10973 (36') AND 10058 (33')

21069 (69'-1¹/₂") CURVED CLOSURE LENGTHS
 MADE UP BY A 21069 (69'-1¹/₂") RAIL OR:
 A 11887 (39') AND 9182 (30'-1¹/₂")
 A 10973 (36') AND 10096 (33'-1¹/₂")

METRIC CONVERSION: 1 inch=25.4mm, 1 foot=304.8mm

1	18/07/27	ADDED IMPERIAL TO METRIC CONVERSION NOTE
No.	Date	Revision
		By Approved

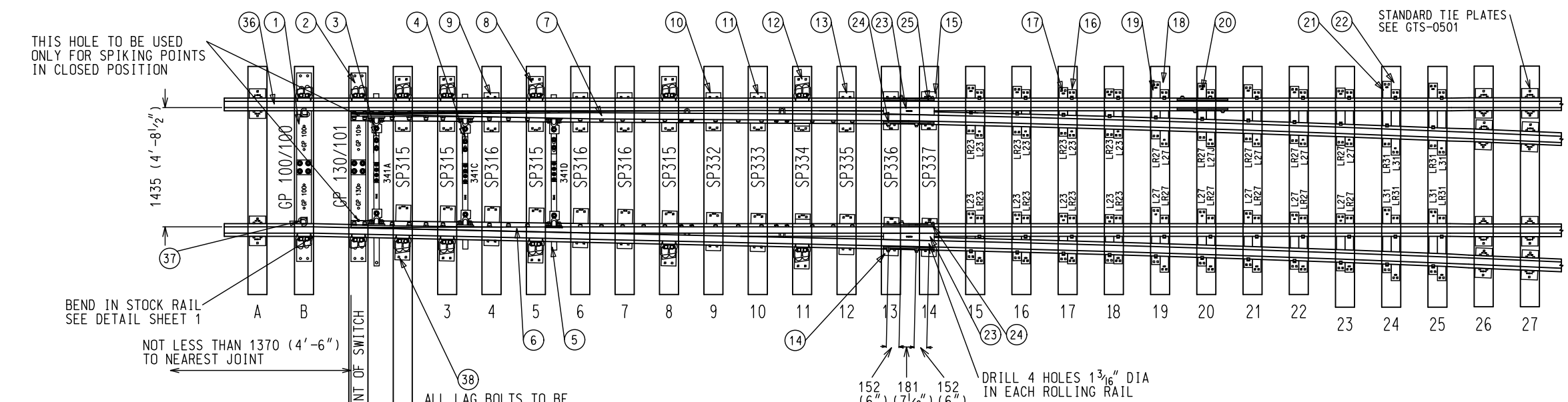
Standard/ **NO. 12 TURNOUT-22'0" POINTS
INSULATED-SAMSON POINTS
R.B.M. FROG-132 LB. R.E. RAIL**

Drawn AZ Checked BC Approved *[Signature]*
 V.P. Engineering & Asset Management

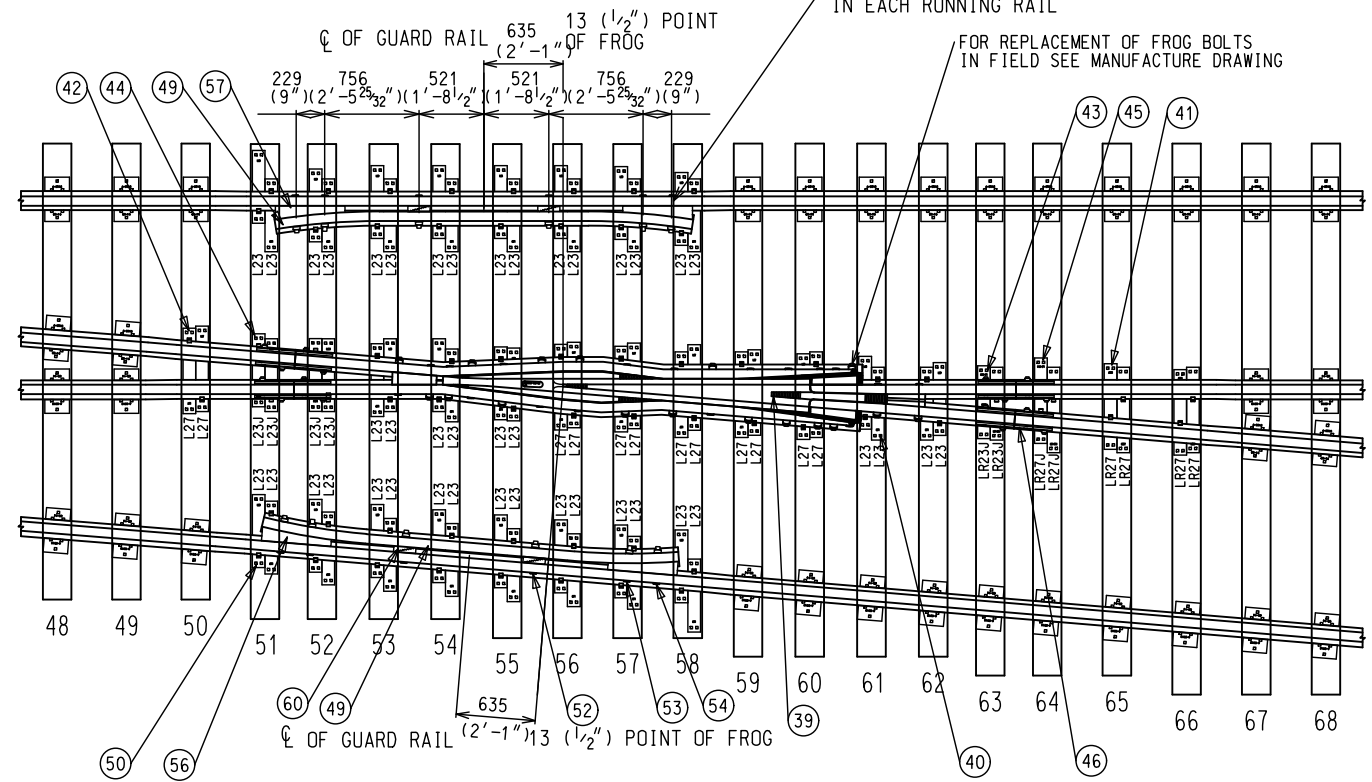
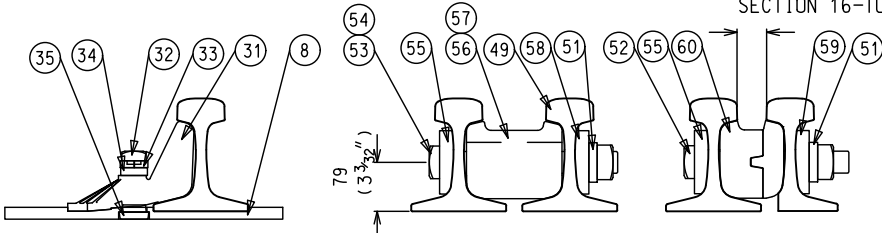
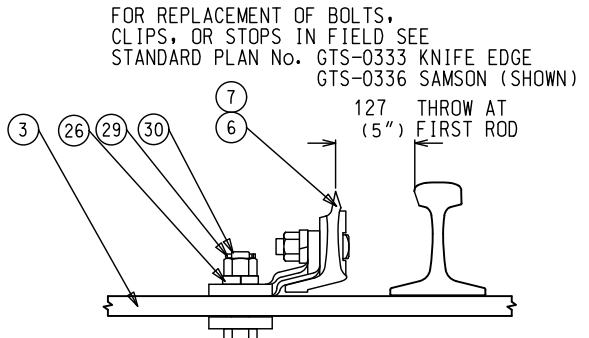
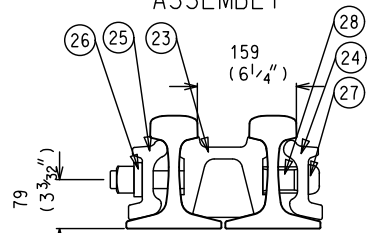
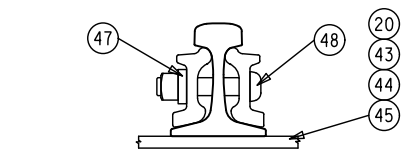


Date SEPT 15/2017 Plan Number GTS-0218A/B Rev 1

REFERENCE: CN_TS-218A/B Sheet 1 OF 2



GENERAL ARRANGEMENT
DRAWING No. GTS-0218 A
RIGHT HAND TURNOUT



METRIC CONVERSION: 1 inch=25.4mm, 1 foot=304.8mm

No.	Date	Revision	By Approved
1	18/07/27	ADDED IMPERIAL TO METRIC CONVERSION NOTE	

Standard/ **NO. 12 TURNOUT-22'0" POINTS
INSULATED-SAMSON POINTS
R.B.M. FROG-132 LB. R.E. RAIL**

Drawn AZ Checked BC Approved VP Engineering & Asset Management



Date SEPT 15/2017 Plan Number GTS-0218A/B Rev 1

REFERENCE: CN_TS-218A/B Sheet 2 OF 2

ALL METRIC MEASUREMENTS, MILLIMETERS UNLESS STATED OTHERWISE, ARE A ROUNDED SOFT CONVERSION OF BRITISH UNITS SHOWN IN BRACKETS

BILL OF MATERIALS FOR GTS-0218

ITEM	DESCRIPTION	STANDARD DRAWING	MARK NO.	QUANTITY	
				A	B
SWITCH PACK					
1	1st. GAUGE PLATE C/W INSULATION PLATE 100/132	GTS-0522	GP100/GP100	1	1
2	2nd. GAUGE PLATE C/W INSULATION PLATE 100/132	GTS-0522	GP130/GP101	1	-
	2nd. GAUGE PLATE C/W INSULATION PLATE 100/132	GTS-0522	GP101/GP129	-	1
3	SWITCH ROD	GTS-0341A	341A	1	1
4	SWITCH ROD	GTS-0341C	341C	1	1
5	SWITCH ROD	GTS-0341D	341D	1	1
6	RIGHT SAMSON POINT RAIL	GTS-0319A	335A	-	1
	RIGHT POINT RAIL	GTS-0316A	332A	1	-
7	LEFT SAMSON POINT RAIL	GTS-0319B	335B	1	-
	LEFT POINT RAIL	GTS-0316B	332B	-	1
8	SWITCH PLATE	GTS-0508	SP315	8	8
9	SWITCH PLATE	GTS-0509	SP316	6	6
10	SWITCH PLATE	GTS-0509	SP332	2	2
11	SWITCH PLATE	GTS-0509	SP333	2	2
12	SWITCH PLATE	GTS-0510	SP334	2	2
13	SWITCH PLATE	GTS-0511	SP335	2	2
14	SWITCH PLATE	GTS-0511	SP336	2	2
15	SWITCH PLATE	GTS-0511	SP337	2	2
16	HOOK TWIN TIE PLATE	GTS-0503	LR23	8	8
17	HOOK TWIN TIE PLATE	GTS-0503	L23	8	8
18	HOOK TWIN TIE PLATE	GTS-0503	LR27	10	10
19	HOOK TWIN TIE PLATE	GTS-0503	L27	9	9
20	HOOK TWIN TIE PLATE	GTS-0503	L27J	1	1
21	HOOK TWIN TIE PLATE	GTS-0503	LR31	4	4
22	HOOK TWIN TIE PLATE	GTS-0503	L31	4	4
23	HEEL BLOCK	GTS-0360	16-6&22GP1-S	2	2
24	BENT SPLICE BAR(4 HOLE) - 132/136 LB. R.E.	GTS-1204D	1204D	2	2
25	STRAIGHT SPLICE BAR (4 HOLE) - 132/136 LB. R.E.	GTS-1203	-	1	1
26	SPRING WASHER for 1 - 1/8" DIA. BOLT	GTS-1301	-	14	14
27	1 - 1/8"DIA. - 7 NC OVAL NECK TRACK BOLT X 12 - 1/2" LG. C/W SQ. NUT	GTS-1320/4	-	8	8
28	PIPE THIMBLE - 1 - 1/4" DIA. X 2 - 3/8" LONG	GTS-345J	J	2	2
29	1/4" COTTER PIN X 2" LG.	-	-	6	6
30	1-1/8" DIA. - 7 UNC HEX HD. BOLT X 5" LG. C/W HEX NUT	GTS-1311/2	-	6	6
31	ADJUSTABLE RAIL BRACE	GTS-0354	132M-14	14	14
32	7/8" DIA. 9 UNC SQ. HD. BOLT X 3-3/4" LG.	GTS-1308/5	-	28	28
33	SPRING WASHER for 7/8" DIA. BOLT	GTS-1301	-	28	28
34	DOUBLE WASHER	GTS-0354	M-10	14	14
35	DOUBLE NUT	GTS-0354	M-9	14	14
36	UNDERCUT STOCK RAIL - 132 LB. R.E., 39' - 0" LG.	GTS-1105C	1105C	1	1
37	PANDROL CLIP - PR 631A	GTS-1322	-	2	2
38	DOUBLE SPRING WASHER - TYPE FE6	GTS-1310	-	16	16
FROG					
39	#12-132 LB. RAIL BOUND MANGANESE STEEL FROG	GTS-0832	-	1	1
		D-11358 NOR			
FROG PACK					
40	HOOK TWIN TIE PLATE	GTS-0503	L23	10	10
41	HOOK TWIN TIE PLATE	GTS-0503	LR27	4	4
42	HOOK TWIN TIE PLATE	GTS-0503	L27	12	12
43	HOOK TWIN TIE PLATE	GTS-0503	LR23J	2	2
44	HOOK TWIN TIE PLATE	GTS-0503	L23J	4	4
45	HOOK TWIN TIE PLATE	GTS-0503	L27J	2	2
46	STRAIGHT SPLICE BAR (4 HOLE) - 132/136 LB. R.E.	GTS-1203	-	4	4
47	SPRING WASHER for 1 - 1/8" DIA. BOLT	GTS-1301	-	16	16
48	1 - 1/8" DIA. - 7 NC OVAL NECK TRACK BOLT X 5-7/8" LG. C/W SQ. NUT	GTS-1320/1	-	16	16
GUARD RAIL PACK					
49	FROG GUARD RAIL 11' - 0" LONG	GTS-1106	-	2	2
50	HOOK TWIN TIE PLATE	GTS-0503	L23	32	32
51	SPRING WASHER for 1 - 3/8" DIA. BOLT	GTS-1301	-	12	12
52	1-3/8" DIA. - 6 UNC SQ. HD. BOLT X 9 - 1/2" LG. C/W SQ. NUT	GTS-1309/100	-	4	4
53	1-3/8" DIA. - 6 UNC SQ. HD. BOLT X 10 - 1/2" LG. C/W SQ. NUT	GTS-1309/102	-	4	4
54	1-3/8" DIA. - 6 UNC SQ. HD. BOLT X 11" LG. C/W SQ. NUT	GTS-1309/104	-	4	4
55	HEAD WASHER	GTS-0837J	837J	12	12
56	END CASTING LEFT HAND 132 LB. R.E.	GTS-0848	GG2-S	2	2
57	END CASTING RIGHT HAND 132 LB. R.E.	GTS-0848	GG3-S	2	2
58	TAIL WASHER (BEVELLED)	GTS-0837B	837B	8	8
59	TAIL WASHER (NOT BEVELLED)	GTS-0837K	837K	4	4
60	ADJUSTABLE BLOCK 132 LB. R.E.	GTS-0848	GG1-S	8	8
TO UPGRADE EXISTING TURNOUT, REPLACE 132 LB. PLATES WITH EQUIVALENT 136 LB. PLATES.					
*** MINOR TIE SPACING ADJUSTMENTS MAY BE NECESSARY. ***					
TURNOUT PACKAGES					
TURNOUT NUMBER	DESCRIPTION	QUANTITY PER TURNOUT			
GTS- 218A	FROG RBM 12 - 132	1			
	SW-PK INS SAMSON HO NO. 12A - 132 LBS.	1			
	GR-PK 132 11 - 0	1			
	FR-PK RBM 12 - 132	1			
GTS- 218B	FROG RBM 12 - 132	1			
	SW-PK INS SAMSON HO NO. 12B - 132 LBS.	1			
	GR-PK 132 11 - 0	1			
	FR-PK RBM 12 - 132	1			
ABBREAVATIONS					
SW - PK - SWITCH PAK		SAM - SAMSON		SGM - SELF GUARD MANGANESE	
FR - PK - FROG PAK		HO - HAND OPERATED		RBM - RAIL BOUND MANGANESE	
GR - PK - GUARD RAIL PAK		SO - SPRING OPERATED			
INS - INSULATED		PO - POWER OPERATED			
NOTE:					
1 - For a new installation, necessary rail, bonded insulated joints, splice bars, bolts, washers, rail anchors, connecting rod, switch stand, target and reflectorized target kit may be required in addition to the materials listed above					
BILL OF SWITCH TIES FOR HAND AND SPRING OPERATION					
TIES 180 X 230 mm (7" X 9")					
LENGTH					
METRES	FEET/INCHES	NO. OF PIECES			
2.8	9' - 0"	22			
3.1	10' - 0"	11			
3.4	11' - 0"	10			
3.7	12' - 0"	7			
4.0	13' - 0"	8			
4.3	14' - 0"	7			
4.6	15' - 0"	7			
4.9	16' - 0"	8			
TOTAL NUMBER OF TIES - 80					