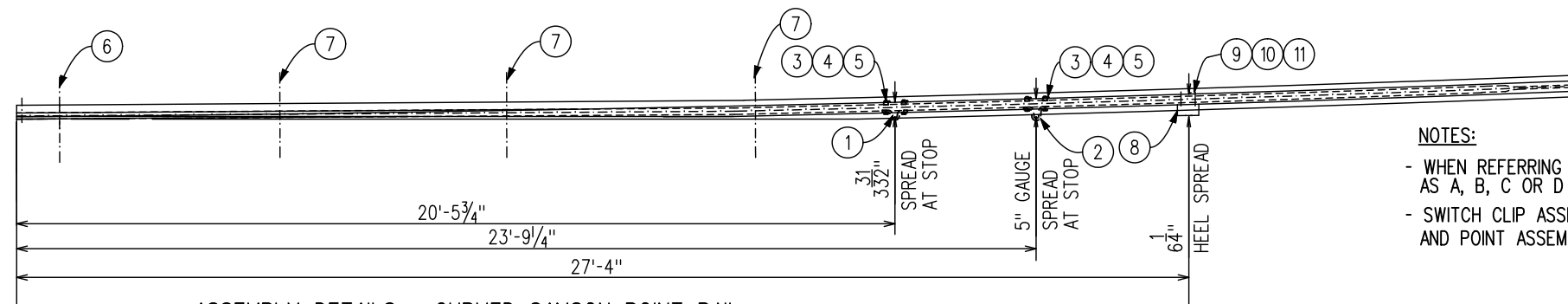


ASSEMBLY DETAILS - STRAIGHT SAMSON POINT RAIL  
 RIGHT POINT RAIL FOR R.H. TURNOUT - GTS 0378 D (ILLUSTRATED)  
 LEFT POINT RAIL FOR L.H. TURNOUT - GTS 0378 C



ASSEMBLY DETAILS - CURVED SAMSON POINT RAIL  
 RIGHT POINT RAIL FOR L.H. TURNOUT - GTS 378 A (ILLUSTRATED)  
 LEFT POINT RAIL FOR R.H. TURNOUT - GTS 378 B

NOTES:

- WHEN REFERRING TO POINT RAILS, DRAWING NUMBER MUST BE STATED AS A, B, C OR D TO INDICATE SPECIFIC POINT REQUIRED.
- SWITCH CLIP ASSEMBLIES AND HEEL BLOCK ARE NOT INCLUDED IN THE SWITCH AND POINT ASSEMBLY AND MUST BE ORDERED SEPARATELY IF REQUIRED

POINT ASSEMBLY INCLUDES:

ITEM NO.	DESCRIPTION	STANDARD PLAN NO.	QUANTITY DWG. No. GTS-0378
1	POINT STOP 339K	GTS-0339/K	1
2	POINT STOP 339L	GTS-0339/L	1
3	BOLT 3/4" x 4 1/4" c/w SQUARE NUT	GTS-1305/9	4
4	SPRING WASHER FOR 3/4" BOLT	GTS-1301	4
5	COTTER PIN 3/16" x 1 1/4"		4

NOTE: THE FOLLOWING ITEMS ARE NOT INCLUDED IN THE SWITCH POINT ASSEMBLY AND MUST BE ORDERED SEPARATELY IF REQUIRED.

ITEM NO.	DESCRIPTION	STANDARD PLAN NO.	QUANTITY DWG. No. GTS-0378
6	ROCKER CLIP ASSEMBLY (352/L)	GTS-0352/L	1
7	ROCKER CLIP ASSEMBLY (352/M)	GTS-0352/M	3
8	HEEL BLOCK GO 383TW	GTS-0383-TW	1
9	1-1/8" DIA 7 UNC SQ. HD. BOLT x 5-1/2" LG.	GTS-1308/10	2
10	SPRING WASHER FOR 1 1/8" BOLT	GTS-1301	2
11	LOCKNUT FOR 1 1/8" BOLT - 7 UNC	GTS-1302	2

METRIC CONVERSION: 1 inch=25.4mm, 1 foot=304.8mm

1	18/07/27	ADDED IMPERIAL TO METRIC CONVERSION NOTE
No.	Date	Revision
		By Approved

Standard / **ASSEMBLY-UNIFORM RISER DESIGN**  
**36'7" SAMSON POINT RAIL-THICK WEB**  
**NO. 12 LATERAL ALL WELDED TURNOUT**  
**MANUAL SPRING & POWER OPERATED-136 RAIL**

Drawn MG Checked GGS Approved *[Signature]*  
 VP Engineering & Asset Management



Date SEPT 15/2017 Plan Number GTS-0378 Rev 1