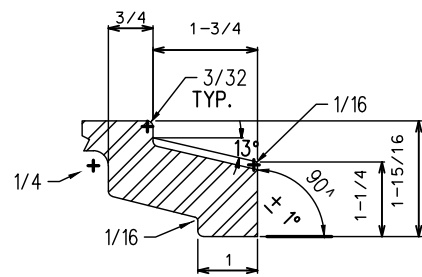
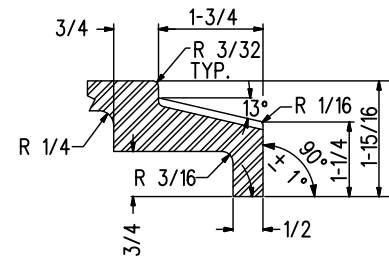


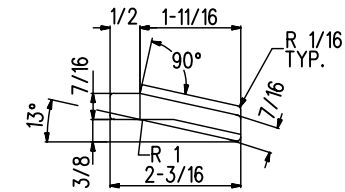
SECTION A - A



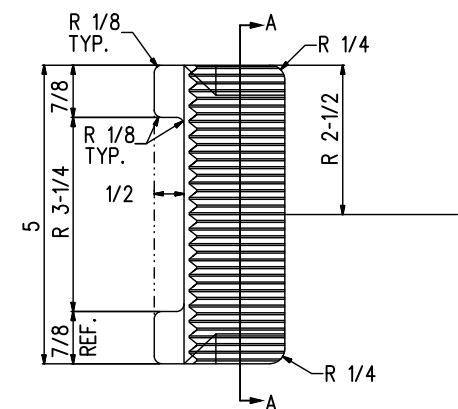
SECTION A - A



SECTION A - A



SERRATION DETAIL OF MATING PARTS

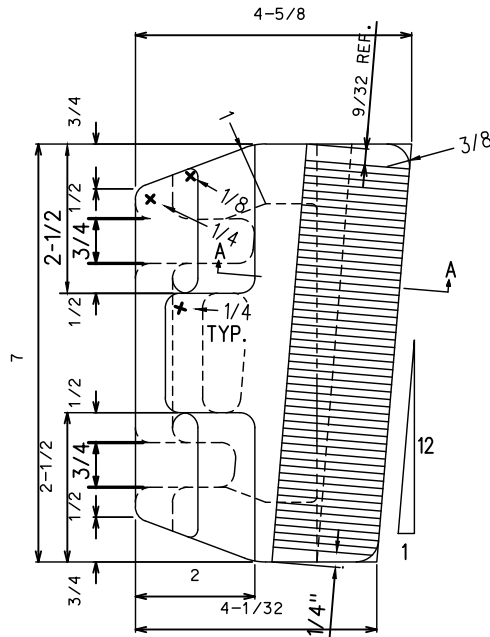


SERRATED WASHER FOR BOLTLESS RAIL BRACE

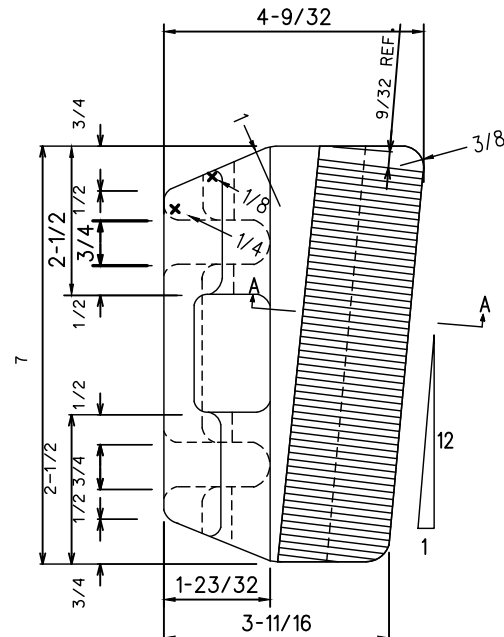
WEIGHT: 1.4 LBS

NOTES:

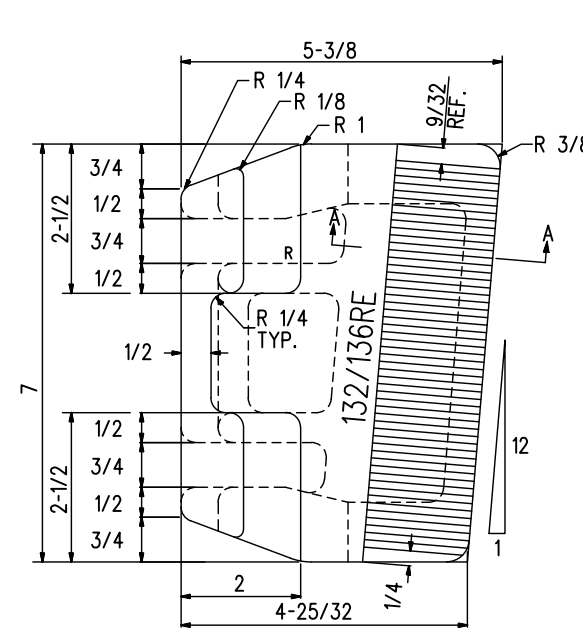
- 1. ALL DIMENSIONS ARE INCHES.
- 2. FINISHED SURFACES BETWEEN MARKS. MATING SURFACES AT THE FILLET RADIUS MUST BE FREE OF "LUMPS" OR "PROTRUSIONS" FROM THE CASTING.
- 3. THIS DRAWING SUPERSEDES STANDARD PLANS NO. R13C-6.2,-6.3,-6.4.



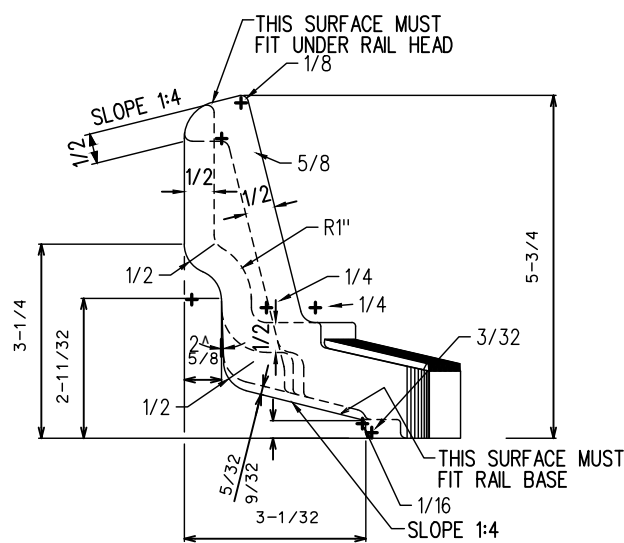
NOTE: ALL RADII IN THIS VIEW 1/4 R UNLESS OTHERWISE DIMENSIONED.



NOTE: ALL RADII IN THIS VIEW 1/4R UNLESS OTHERWISE DIMENSIONED.

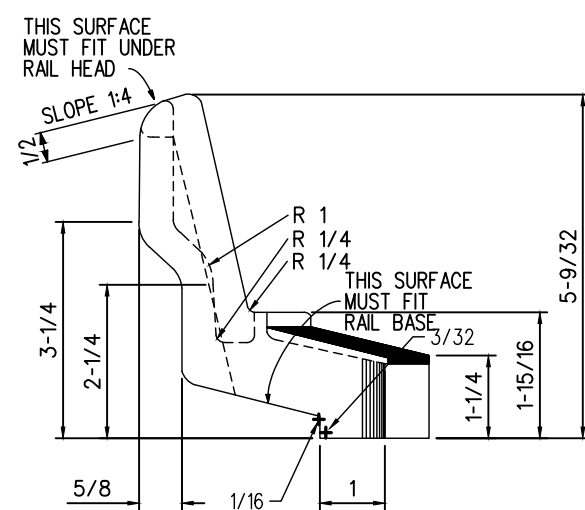


NOTE: ALL RADII IN THIS VIEW 1/4R UNLESS OTHERWISE DIMENSIONED.



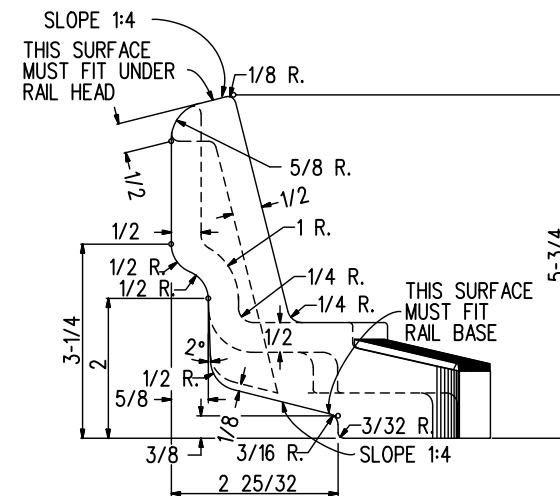
SUREFIT BOLTLESS RAIL BRACE FOR 132 & 136LB. R.E. RAIL

WEIGHT: 13 LBS
USED WITH: SP-798 PLATE GTS-0508
RP-798 ROLLER PLATE GTS-0508



SUREFIT BOLTLESS RAIL BRACE FOR 115LB. R.E. RAIL

WEIGHT: 13 LBS
USED WITH: SP-818 PLATE GTS-0508
RP-829 ROLLER PLATE GTS-0508



BOLTLESS RAIL BRACE FOR 132 & 136LB. R.E. RAIL

WEIGHT: 14 LBS
USED WITH: SP-775 PLATE GTS-0508

METRIC CONVERSION: 1 inch=25.4mm, 1 foot=304.8mm

No.	Date	Revision	By	Approved
1	18/07/27	ADDED IMPERIAL TO METRIC CONVERSION NOTE		

Standard	ADJUSTABLE RAIL BRACE FOR 115, 132 & 136 LB. RAILS
----------	---

Drawn	Checked	Approved
MG	GWM	<i>KLL</i> VP Engineering & Asset Management



Date	SEPT 15/2017	Plan Number	GTS-0354	Rev	1
------	--------------	-------------	----------	-----	---