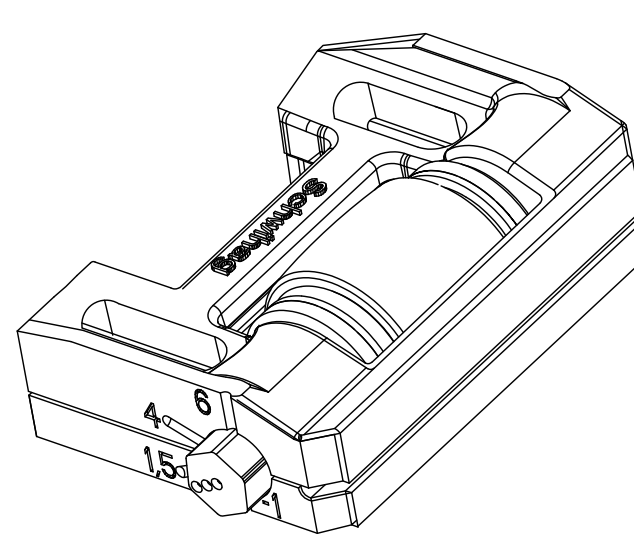
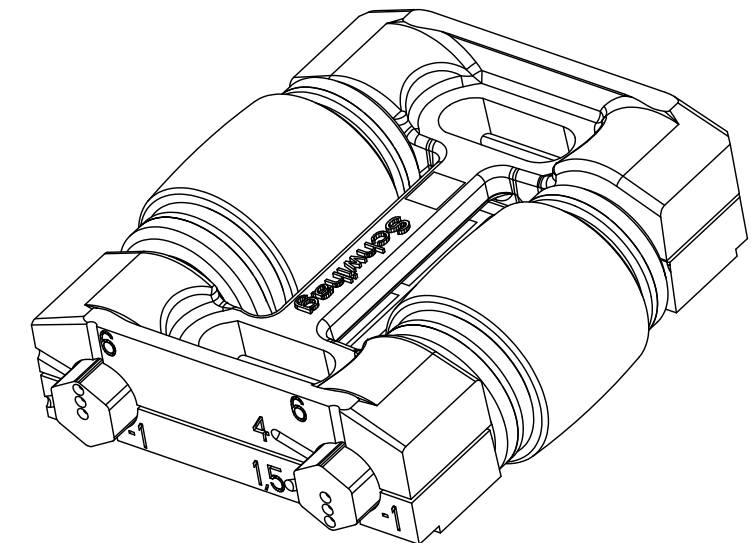


No. 20 136LB. TURNOUT
 RETROFIT INCLUDES THE FOLLOWING PLUS SUREFIT BRACES AND WASHERS

TIE	ROLLER PACKAGE		ROLLER PLATE	
	TYPE	MARK No.	GTS DWG.	
3	DOUBLE	RP-798	GTS-0508	
4	SINGLE	RP-363	GTS-0530	
7	DOUBLE	RP-363	GTS-0530	
12	SINGLE	RP-363	GTS-0530	
17	SINGLE	RP-363	GTS-0530	



SINGLE ROLLER



DOUBLE ROLLER

No. 15 136LB TURNOUT
 RETROFIT INCLUDES THE FOLLOWING PLUS SUREFIT BRACES AND WASHERS

TIE	ROLLER PACKAGE		ROLLER PLATE	
	TYPE	MARK No.	GTS DWG.	
3	DOUBLE	RP-798	GTS-0508	
6	SINGLE	RP-363	GTS-0530	
11	DOUBLE	RP-363	GTS-0530	
15	SINGLE	RP-363	GTS-0530	

No. 12 AND 16 136LB TURNOUTS
 RETROFIT INCLUDES THE FOLLOWING PLUS SUREFIT BRACES AND WASHERS

TIE	ROLLER PACKAGE		ROLLER PLATE	
	TYPE	MARK No.	GTS DWG.	
3	DOUBLE	RP-798	GTS-0508	
6	SINGLE	RP-363	GTS-0530	
10	DOUBLE	RP-363	GTS-0530	
15	SINGLE	RP-363	GTS-0530	

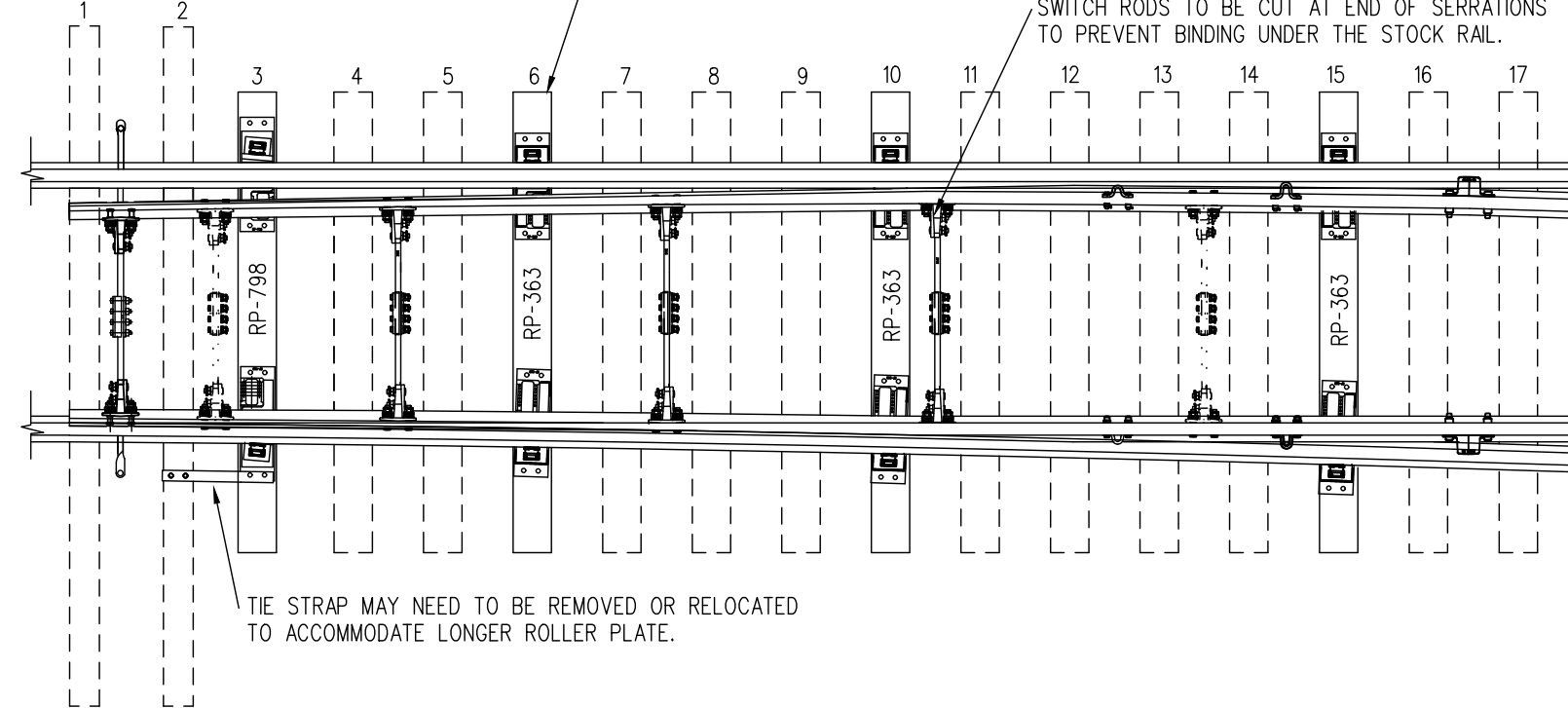
No. 8 AND 10 136LB TURNOUTS
 RETROFIT INCLUDES THE FOLLOWING PLUS SUREFIT BRACES AND WASHERS

TIE	ROLLER PACKAGE		ROLLER PLATE	
	TYPE	MARK No.	GTS DWG.	
3	DOUBLE	RP-798	GTS-0508	
9	SINGLE	RP-363	GTS-0530	

THE HELPER ROD ASSEMBLY CAN BE REMOVED ON NUMBER 10, 12 AND 16 TURNOUTS ONCE ROLLERS HAVE BEEN INSTALLED.

TIES TO HAVE ROLLERS ADDED MUST BE LOWERED 1" TO ACCOMMODATE THICKER PLATES.

SWITCH RODS TO BE CUT AT END OF SERRATIONS TO PREVENT BINDING UNDER THE STOCK RAIL.



TIE STRAP MAY NEED TO BE REMOVED OR RELOCATED TO ACCOMMODATE LONGER ROLLER PLATE.

EXAMPLE: No. 12 RETROFIT KIT

NOTE:

SWITCH POINT ROLLERS REDUCE THE AMOUNT OF FORCE REQUIRED TO THROW A SWITCH AND ELIMINATE THE NEED TO GREASE SWITCHES. TO ACHIEVE THE BEST RESULTS, THE ROLLERS MUST BE PROPERLY INSTALLED AND ADJUSTED AS PER S & C GENERAL INSTRUCTION 409 (GI-409). PROPER ADJUSTMENT REQUIRES THE USE OF ROLLER GAUGES (S/N 01-20-056).

METRIC CONVERSION: 1 inch=25.4mm, 1 foot=304.8mm

1	18/07/27	ADDED IMPERIAL TO METRIC CONVERSION NOTE
No.	Date	Revision
		By Approved

Standard / **SWITCH PLATE ROLLERS**

Drawn PCV Checked DL Approved *[Signature]*
 VP Engineering & Asset Management



Date SEPT 15/2017 Plan Number GTS-0390 Rev 1

REFERENCE: TS-0390_R5 Sheet 1 OF 1