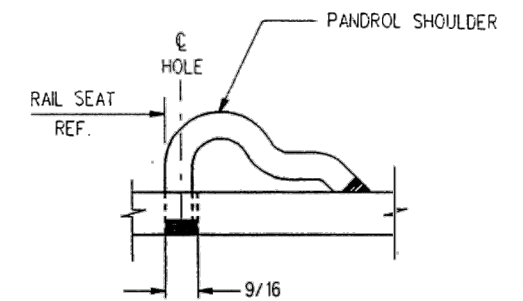


SWITCH HEEL PLATE  
LEFT SIDE

PLATE	A	B	C	D	E	F	WEIGHT (LB.)	STOCK NUMBERS	
								NEW	PART WORN
SP364L	25-5/8	7-1/16	5-31/32	12-5/8	26	10			
SP390L	25-23/32	7-1/4	5-7/8	12-23/32	26	10			
SP410L	25-19/32	7	6	12-19/32	28	12			
SP527L	25-11/16	7-3/16	5-29/32	12-11/16	26	10			
SP718L	26-1/8	7-27/32	5-11/16	13-1/8	27	11			



TYPICAL PANDROL  
SHOULDER INSTALLATION

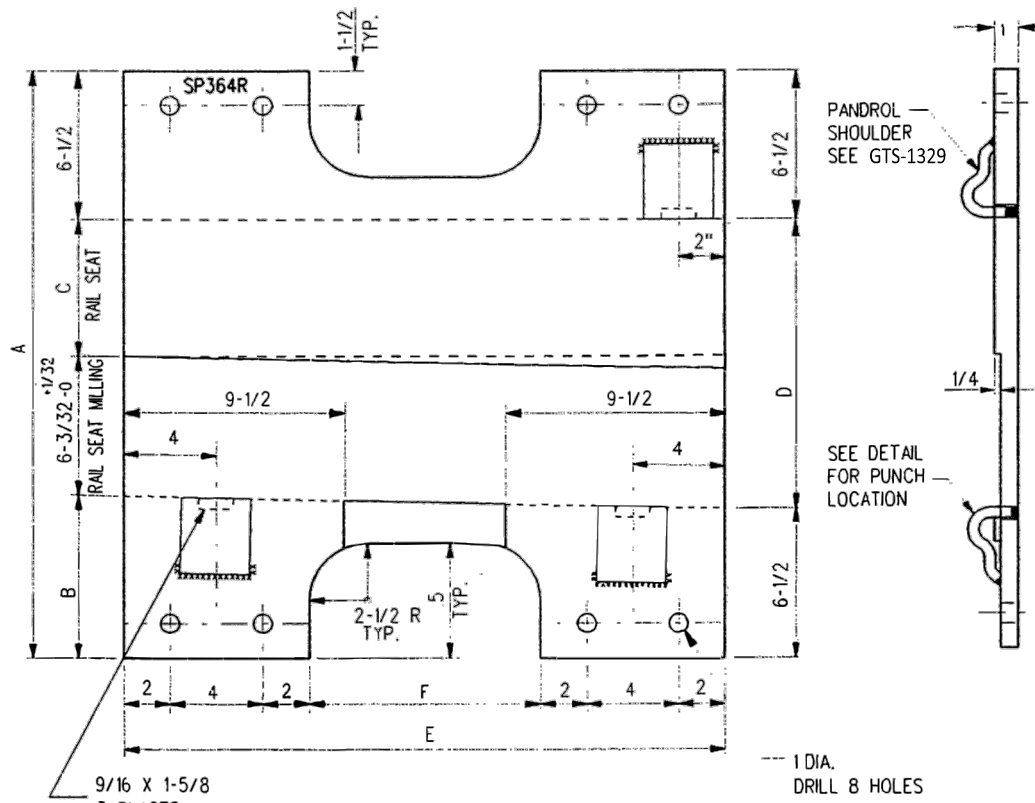
**NOTES**

1. WHEN REFERRING TO SWITCH HEEL PLATE, PLAN AND PLATE NUMBER MUST BE STATED TO INDICATE SPECIFIC PLATE REQUIRED.
2. IDENTIFICATION CHARACTERS (1/2" MINIMUM HEIGHT) TO BE STAMPED ON EACH PLATE AS SHOWN.
3. ALL DIMENSIONS ARE IN INCHES.
4. UNLESS OTHERWISE SPECIFIED ALL TOLERANCES TO BE ±1/32".

**MATERIAL**

PLATES TO CONFORM TO THE LATEST REVISION OF GO TRANSIT TRANSIT TRACK STANDARDS OR IN GENERAL WITH LATEST REVISION OF A.S.T.M. SPECIFICATION FOR COMMERCIAL QUALITY HOT ROLLED BAR STEEL A-675 CHEMICAL REQUIREMENT.

	MINIMUM	MAXIMUM
CARBON	0.15 %	0.25 %
MANGANESE	0.30 %	0.60 %
PHOSPHORUS		0.04 %
SULPHUR		0.05 %



SWITCH HEEL PLATE  
RIGHT SIDE

PLATE	A	B	C	D	E	F	WEIGHT (LB.)	STOCK NUMBERS	
								NEW	PART WORN
SP364R	25-5/8	7-1/16	5-31/32	12-5/8	26	10			
SP390R	25-23/32	7-1/4	5-7/8	12-23/32	26	10			
SP410R	25-19/32	7	6	12-19/32	28	12			
SP527R	25-11/16	7-3/16	5-29/32	12-11/16	26	10			
SP717R	26-1/8	7-27/32	5-11/16	13-1/8	27	11			

0	17/12/15	REVISED PDF VERSION ESTABLISHED
No.	Date	Revision By Approved

Standard / **136 LB. RAIL SWITCH HEEL PLATES FOR RIGHT HAND TURNOUTS**

Drawn SMC Checked GS Approved *MSL* VP Corridor Infrastructure



Date DEC 15, 2017 Plan Number GTS-0637 Rev 0

