

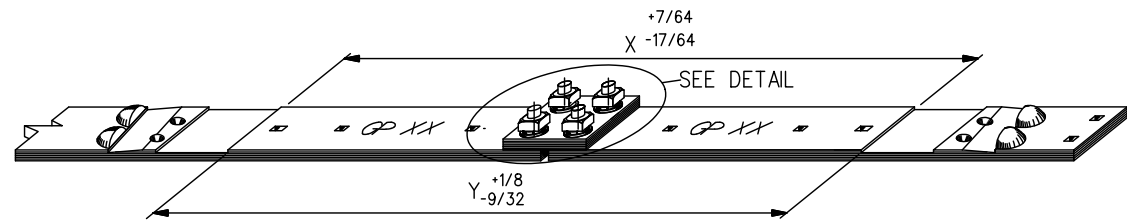
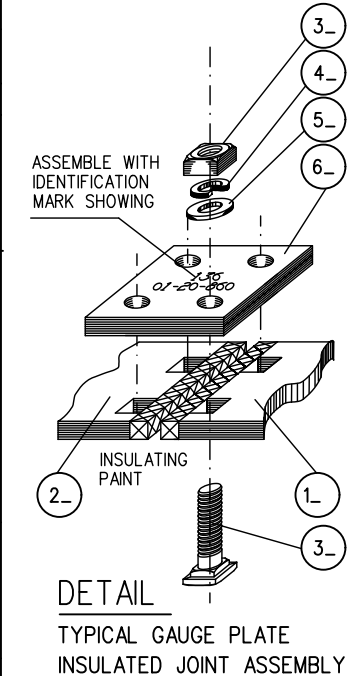
**BILL OF MATERIAL
FOR 136 LB. RAIL GAUGE PLATES**

ITEM NO.	GAUGE PLATE MARK NUMBERS		STANDARD PLAN NO.	QUANTITY	CRITICAL DIMENSIONS	
	RIGHT SIDE	LEFT SIDE			X	Y
1 / 2	GP100	GP100	GTS-0525	1 OF EACH	53-13/32"	53-13/32"
1 / 2	GP101	GP102	GTS-0525	1 OF EACH	53-63/64"	53-25/32"
1 / 2	GP101	GP109	GTS-0525	1 OF EACH	53-63/64"	53-25/32"
1 / 2	GP101	GP110	GTS-0525	1 OF EACH	54-41/64"	54-7/16"
1 / 2	GP101	GP111	GTS-0525	1 OF EACH	55-13/64"	55"
1 / 2	GP101	GP113	GTS-0525	1 OF EACH	54-13/32"	54-1/4"
1 / 2	GP101	GP114	GTS-0525	1 OF EACH	54-7/8"	54-23/32"
1 / 2	GP101	GP118	GTS-0525	1 OF EACH	54-27/64"	54-17/64"
1 / 2	GP101	GP125	GTS-0525	1 OF EACH	53-37/64"	53-17/32"
1 / 2	GP101	GP126	GTS-0525	1 OF EACH	53-3/4"	53-45/64"
1 / 2	GP101	GP127	GTS-0525	1 OF EACH	54-19/32"	54-25/64"
1 / 2	GP101	GP129	GTS-0525	1 OF EACH	53-15/16"	53-25/32"
1 / 2	GP101	GP132	GTS-0525	1 OF EACH	53-15/16"	53-25/32"
1 / 2	GP101	GP139	GTS-0525	1 OF EACH	53-7/8"	53-49/64"
1 / 2	GP101	GP140	GTS-0525	1 OF EACH	54-13/64"	54-3/32"
1 / 2	GP105	GP101	GTS-0525	1 OF EACH	53-63/64"	53-25/32"
1 / 2	GP107	GP101	GTS-0525	1 OF EACH	53-63/64"	53-25/32"
1 / 2	GP108	GP101	GTS-0525	1 OF EACH	54-41/64"	54-7/16"
1 / 2	GP112	GP101	GTS-0525	1 OF EACH	55-13/64"	55"
1 / 2	GP115	GP101	GTS-0525	1 OF EACH	54-13/32"	54-1/4"
1 / 2	GP116	GP101	GTS-0525	1 OF EACH	54-7/8"	54-23/32"
1 / 2	GP117	GP101	GTS-0525	1 OF EACH	54-27/64"	54-17/64"
1 / 2	GP119	GP101	GTS-0525	1 OF EACH	53-37/64"	53-17/32"
1 / 2	GP120	GP101	GTS-0525	1 OF EACH	53-3/4"	53-45/64"
1 / 2	GP128	GP101	GTS-0525	1 OF EACH	54-19/32"	54-25/64"
1 / 2	GP130	GP101	GTS-0525	1 OF EACH	53-15/16"	53-25/32"
1 / 2	GP131	GP101	GTS-0525	1 OF EACH	53-15/16"	53-25/32"
1 / 2	GP137	GP101	GTS-0525	1 OF EACH	53-7/8"	53-49/64"
1 / 2	GP138	GP101	GTS-0525	1 OF EACH	54-13/64"	54-3/32"
1 / 2	GP104	GP102	GTS-0525	1 OF EACH	53-63/64"	53-25/32"
1 / 2	GP104	GP103	GTS-0525	1 OF EACH	54-41/64"	54-7/16"
1 / 2	GP104	GP113	GTS-0525	1 OF EACH	54-27/64"	54-17/64"
1 / 2	GP104	GP123	GTS-0525	1 OF EACH	53-37/64"	53-17/32"
1 / 2	GP104	GP124	GTS-0525	1 OF EACH	53-3/4"	53-45/64"
1 / 2	GP104	GP129	GTS-0525	1 OF EACH	53-15/16"	53-25/32"
1 / 2	GP104	GP133	GTS-0525	1 OF EACH	53-7/8"	53-49/64"
1 / 2	GP104	GP134	GTS-0525	1 OF EACH	54-13/64"	54-3/32"
1 / 2	GP105	GP104	GTS-0525	1 OF EACH	53-63/64"	53-25/32"
1 / 2	GP106	GP104	GTS-0525	1 OF EACH	54-41/64"	54-7/16"
1 / 2	GP115	GP104	GTS-0525	1 OF EACH	54-27/64"	54-17/64"
1 / 2	GP121	GP104	GTS-0525	1 OF EACH	53-37/64"	53-17/32"
1 / 2	GP122	GP104	GTS-0525	1 OF EACH	53-3/4"	53-45/64"
1 / 2	GP130	GP104	GTS-0525	1 OF EACH	53-15/16"	53-25/32"
1 / 2	GP135	GP104	GTS-0525	1 OF EACH	53-7/8"	53-49/64"
1 / 2	GP136	GP104	GTS-0525	1 OF EACH	54-13/64"	54-3/32"
1 / 2	GP141	GP143	GTS-0525	1 OF EACH	53-55/64"	53-49/64"
1 / 2	GP142	GP144	GTS-0525	1 OF EACH	54-9/64"	54-3/64"
1 / 2	GP145	GP147	GTS-0525	1 OF EACH	53-55/64"	53-49/64"
1 / 2	GP146	GP148	GTS-0525	1 OF EACH	54-9/64"	54-3/64"
1 / 2	GP149	GP101	GTS-0525	1 OF EACH	53-5/16"	53-27/64"
1 / 2	GP150	GP101	GTS-0525	1 OF EACH	53-43/64"	53-25/32"
1 / 2	GP151	GP104	GTS-0525	1 OF EACH	53-5/16"	53-27/64"
1 / 2	GP152	GP104	GTS-0525	1 OF EACH	53-43/64"	53-25/32"
1 / 2	GP104	GP153	GTS-0525	1 OF EACH	53-5/16"	53-27/64"
1 / 2	GP104	GP154	GTS-0525	1 OF EACH	53-43/64"	53-25/32"
1 / 2	GP101	GP155	GTS-0525	1 OF EACH	53-5/16"	53-27/64"
1 / 2	GP101	GP156	GTS-0525	1 OF EACH	53-43/64"	53-25/32"

ITEM NO.	DESCRIPTION	STANDARD PLAN NO.	QTY.
3	1" DIA.-8 UNC. SQ. HD. (1/4"THICK) C.B.x 3 1/2" L. C/W SQ. NUT	GTS-13071	4
4	SPRING WASHER FOR 1" DIA. BOLT	GTS-1301	4
5	PL. WASHER FOR 1" DIA. BOLT(1- 1/16".I.D. x 2- 1/2" O.D x 5/32" THK)	GTS-1337	4
6	INSULATION PLATE 136	GTS-0526	1

GAUGE PLATE CROSS REFERENCE

	MANUAL				SPRING				POWER							
	GTS-/A		GTS-/B		GTS-/A		GTS-/B		GTS-/A		GTS-/B		GTS-/C		GTS-/D	
	RIGHT HAND	LEFT HAND	RIGHT HAND	LEFT HAND	RIGHT HAND	LEFT HAND	RIGHT HAND	LEFT HAND	MACHINE RIGHT	MACHINE LEFT	MACHINE RIGHT	MACHINE LEFT	MACHINE RIGHT	MACHINE LEFT		
SWITCH POINTS	16'-6"	GP100 GP101	GP100 GP102	GP100 GP101	GP100 GP101	GP100 GP102	GP100 GP101	GP100 GP102	GP100 GP101	GP100 GP104	GP100 GP104	GP100 GP102	GP100 GP103	GP100 GP109	GP100 GP110	
	22'-0"	GP100 GP101	GP100 GP102	GP100 GP101	GP100 GP101	GP100 GP102	GP100 GP101	GP100 GP102	GP100 GP101	GP100 GP104	GP100 GP104	GP100 GP102	GP100 GP103	GP100 GP109	GP100 GP110	
	26'-0"	GP100 GP101	GP100 GP102	GP100 GP101	GP100 GP101	GP100 GP102	GP100 GP101	GP100 GP102	GP100 GP101	GP100 GP104	GP100 GP104	GP100 GP102	GP100 GP103	GP100 GP109	GP100 GP110	
	33'-0"	GP100 GP101	GP100 GP102	GP100 GP101	GP100 GP101	GP100 GP102	GP100 GP101	GP100 GP102	GP100 GP101	GP100 GP104	GP100 GP104	GP100 GP102	GP100 GP103	GP100 GP109	GP100 GP110	
	39'-0"	GP100 GP101	GP100 GP102	GP100 GP101	GP100 GP101	GP100 GP102	GP100 GP101	GP100 GP102	GP100 GP101	GP100 GP104	GP100 GP104	GP100 GP102	GP100 GP103	GP100 GP109	GP100 GP110	
EQUILATERAL									GTS-/E		GTS-/F		GTS-/G		GTS-/H	
	GP100 GP145	GP100 GP146	GP100 GP147	GP100 GP148	GP100 GP141	GP100 GP142	GP100 GP143	GP100 GP144	GP100 GP145	GP100 GP146	GP100 GP147	GP100 GP148	GP100 GP141	GP100 GP142	GP100 GP143	GP100 GP144



- NOTES:**
- DIELECTRIC REQUIREMENT:
DIELECTRIC TESTS SHALL BE MADE WITH THE INSULATION DRY. ASSEMBLED INSULATED TRACK FITTINGS SHALL WITHSTAND FOR NOT LESS THAN THREE SECONDS AN INSULATED TEST OF 1500 VOLTS A.C. WITHOUT FLASH OVER OR PUNCTURE BETWEEN ALL METALLIC PARTS AND OTHER METALLIC PARTS INSULATED THEREFROM.
 - WHEN REFERRING TO A COMPLETE GAUGE PLATE ASSEMBLY AS SHOWN, MARK NUMBER OF BOTH GAUGE PLATE HALVES MUST BE STATED (EX. GP105/GP101) TO IDENTIFY THE ACTUAL GAUGE PLATE.
 - THE RIGHT SIDE GAUGE PLATE HALF IS STATED FIRST IN ALL INSTANCES.

NOTICE:

THE SAME GAUGE PLATE HALVES, GP-NUMBER ARE USED ON BOTH 132 & 136 LB. R.E. RAIL GAUGE PLATES.
THE DIFFERENCE BETWEEN 132 & 136 LB. RAIL GAUGE PLATES IS THE INSULATION PLATE ITEM 6.
WHEN ORDERING GAUGE PLATE : PLAN NUMBER GTS-0523 & STOCK NUMBER, BESIDES THE GAUGE PLATE GP-NUMBERS MUST BE STATED TO OBTAIN CORRECT GAUGE PLATE TO SUIT 136 LB. RAIL.

METRIC CONVERSION: 1 inch=25.4mm, 1 foot=304.8mm

1	18/07/27	ADDED IMPERIAL TO METRIC CONVERSION NOTE
No.	Date	Revision
		By Approved

Standard/

**ASSEMBLY
INSULATED GAUGE PLATES
FOR 136 LB. RAILS**

Drawn MG Checked GGS Approved *MBL*
VP Engineering & Asset Management



Date SEPT 15/2017 Plan Number GTS-0523 Rev 1