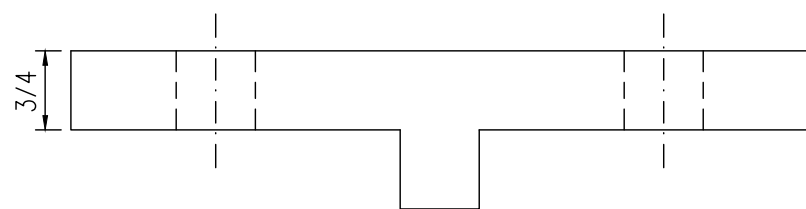
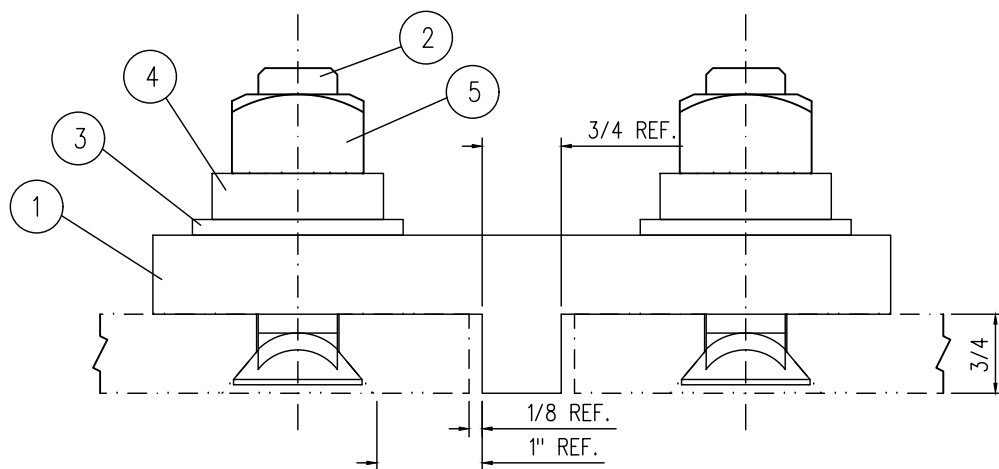


"T" INSULATION PLATE (TOP VIEW)



"T" INSULATION PLATE

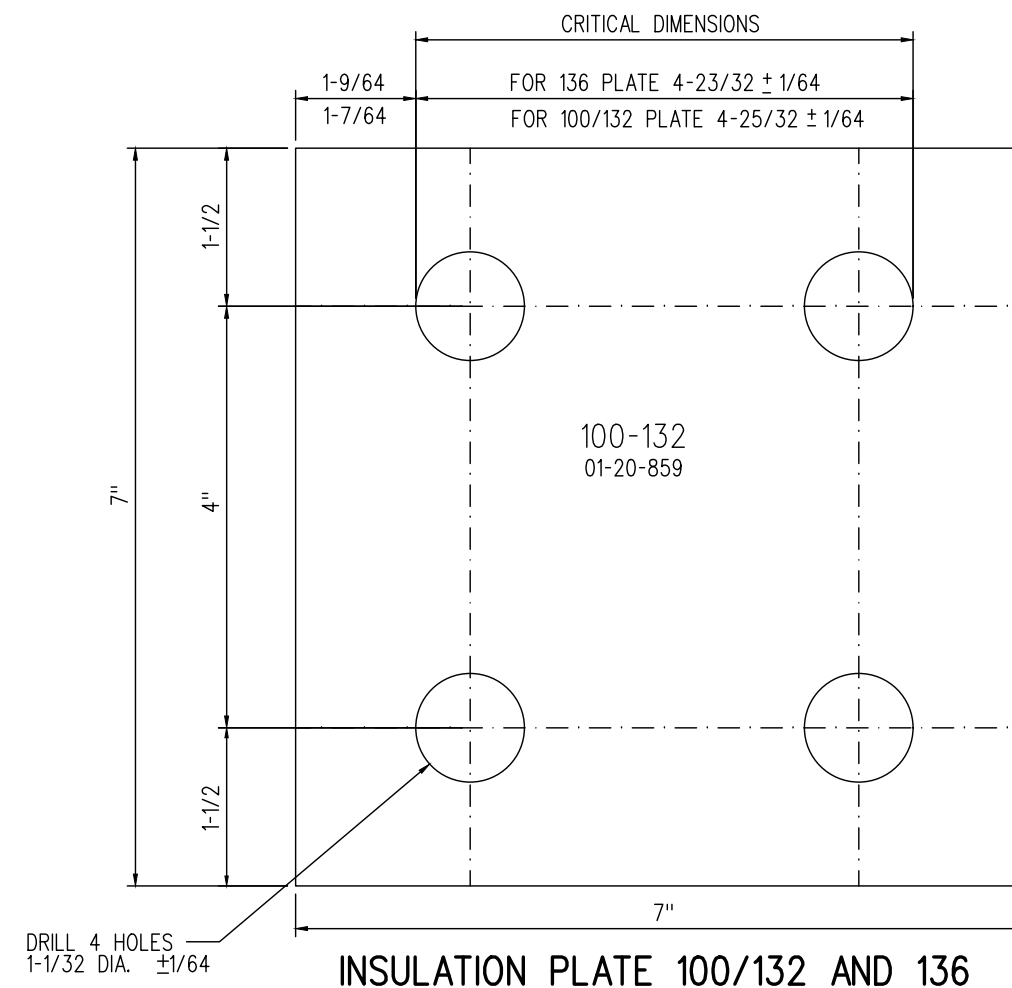


INSULATION KIT FOR 3/4 THICK GAUGE PLATE

WEIGHT 5.34LBS

INSULATION KIT 01-25-297 INCLUDES THE FOLLOWING:

ITEM	QTY	DESCRIPTION
1	1	"T" INSULATION PLATE FOR 3/4 THICK GAUGE PLATE, 3/4 X 7 X 7
2	4	PLOW BOLT, 3/4 DIA. X 3 LONG, ROUND HEAD, SQUARE NECK, Gr. 5
3	4	WASHER, 3/4 DIA., PLAIN, TYPE 'A' WIDE, 13/16 X 2 X 0.148
4	4	SPRING WASHER, 3/4 DIA.
5	4	NUT, 3/4 DIA., HEAVY SQUARE, Gr. 5



INSULATION PLATE 100/132 AND 136

MARK NUMBER: 100/132
FOR 100 TO 132LB RAIL GAUGE PLATES
OR
MARK NUMBER: 136
FOR 136LB RAIL GAUGE PLATES

NOTES:

1. ALL DIMENSIONS ARE IN INCHES UNLESS OTHERWISE NOTED.

MATERIAL:

- 3/4" THICK FIBERGLASS
- 3M STOCK SCOTCHPLY TYPE 1002
- REFERENCE FP-651

METRIC CONVERSION: 1 inch=25.4mm, 1 foot=304.8mm

1	18/07/27	ADDED IMPERIAL TO METRIC CONVERSION NOTE	
No.	Date	Revision	By Approved

Standard / **GAUGE PLATES
INSULATION PLATE
100-132 & 136 LB. RAILS**

Drawn MG Checked GWM Approved *[Signature]*
VP Engineering & Asset Management



Date SEPT 15/2017 Plan Number GTS-0526 Rev 1

REFERENCE: TS-0526_R1

Sheet 1 OF 1