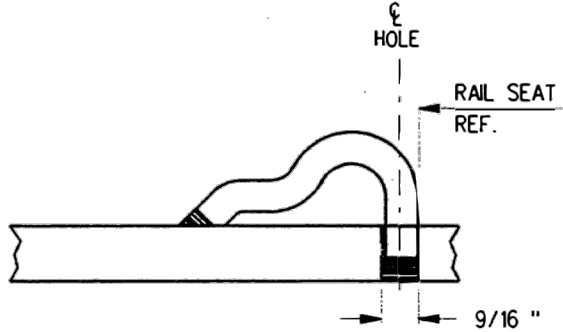


FROG BASE PLATE
FP-605R

FROG BASE PLATE
FP-605L



TYPICAL PANDROL SHOULDER
INSTALLATION

NOTES

1. WHEN REFERRING TO FROG BASE PLATES, PLAN AND PLATE NUMBERS MUST BE STATED TO INDICATE SPECIFIC PLATE REQUIRED.
2. IDENTIFICATION CHARACTERS (1/2" MINIMUM HEIGHT) TO BE STAMPED ON EACH PLATE AS SHOWN.
3. UNLESS OTHERWISE SPECIFIED ALL DIMENSIONS ARE IN INCHES.
4. THE ENDS OF FROG BASE PLATES TO BE PAINTED WITH INSULATING PAINT AS SHOWN.

MATERIAL

PLATES TO CONFORM TO THE LATEST REVISION OF GO TRANSIT TRACK STANDARDS OR IN GENERAL WITH LATEST REVISION OF A.S.T.M. SPECIFICATION FOR COMMERCIAL QUALITY HOT ROLLED BAR STEEL A-675 CHEMICAL REQUIREMENT.

	MINIMUM	MAXIMUM
CARBON	0.15 %	0.25 %
MANGANESE	0.30 %	0.60 %
PHOSPHORUS		0.04 %
SULPHUR		0.05 %

0	17/12/15	REVISED PDF VERSION ESTABLISHED	
No.	Date	Revision	By Approved

Standard/ **MACHINING
FROG BASE PLATES
FOR NO 8 R.B.M. FROG 136 LB. R.E. RAILS**

Drawn MG Checked RP Approved *RP*
VP Corridor Infrastructure



METROLINX

Date DEC 15, 2017 Plan Number GTS-0636 Rev 0