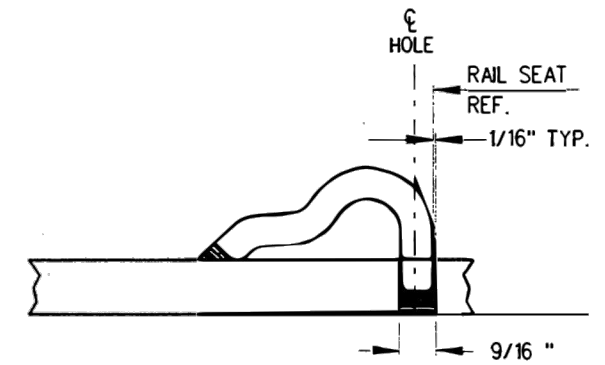


FROG BASE PLATE
FP-705



TYPICAL PANDROL SHOULDER
INSTALLATION

NOTES

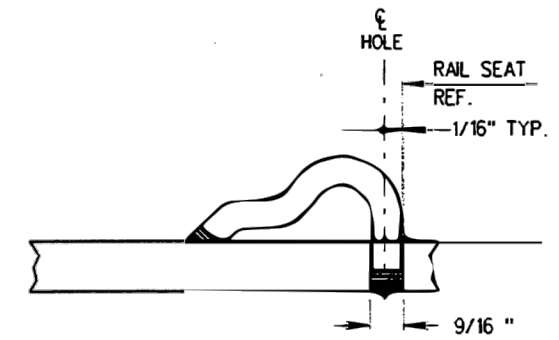
1. WHEN REFERRING TO FROG BASE PLATES, PLAN AND PLATE NUMBERS MUST BE STATED TO INDICATE SPECIFIC PLATE REQUIRED.
2. IDENTIFICATION CHARACTERS (1/2" MINIMUM HEIGHT) TO BE STAMPED ON EACH PLATE AS SHOWN.
3. UNLESS OTHERWISE SPECIFIED ALL DIMENSIONS ARE IN INCHES.
4. THE ENDS OF FROG BASE PLATES TO BE PAINTED WITH INSULATING PAINT AS SHOWN.

MATERIAL

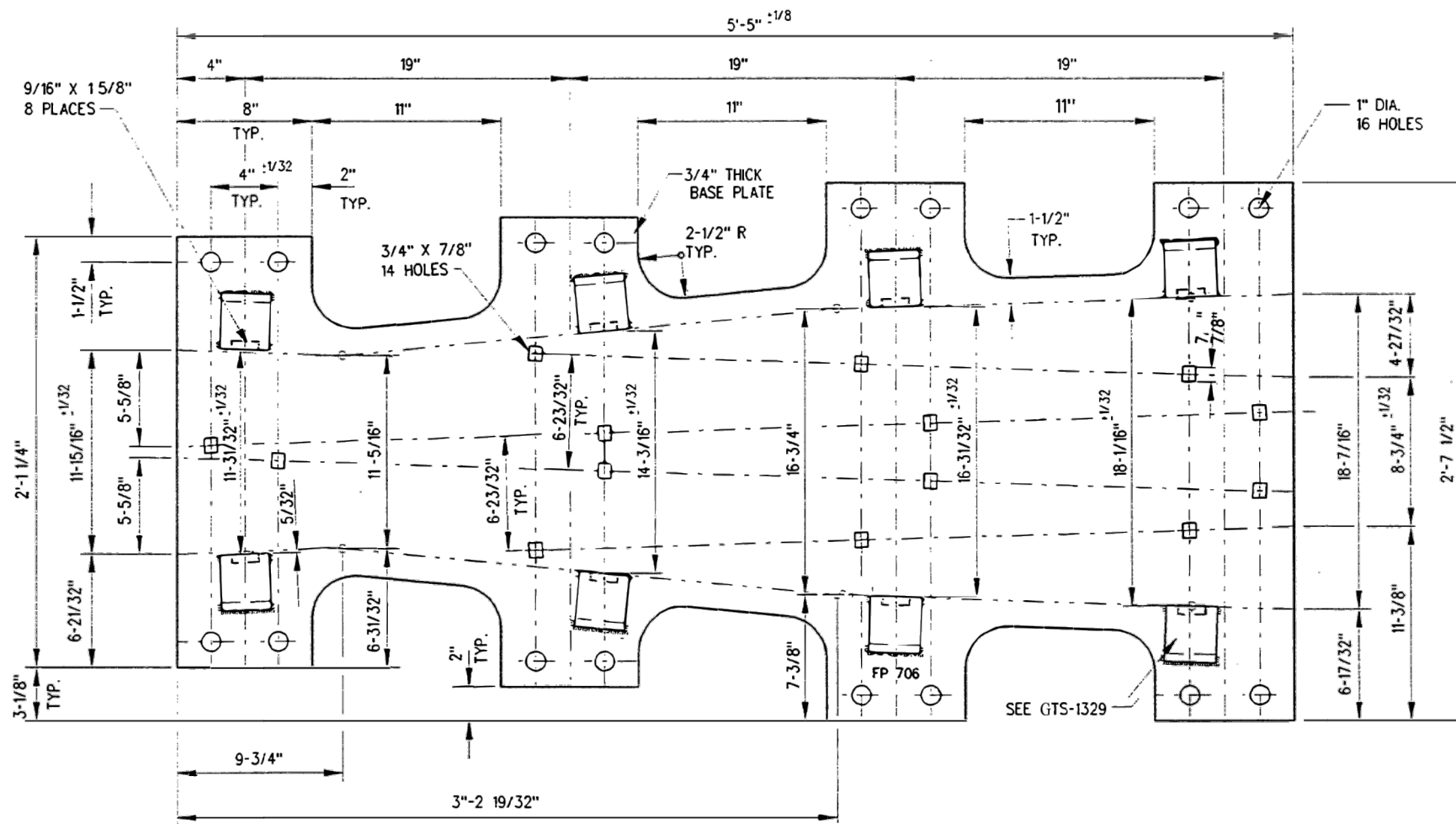
PLATES TO CONFORM TO THE LATEST REVISION OF GO TRANSIT TRACK STANDARDS OR IN GENERAL WITH LATEST REVISION OF A.S.T.M. SPECIFICATION FOR COMMERCIAL QUALITY HOT ROLLED BAR STEEL A-675 CHEMICAL REQUIREMENT.

	MINIMUM	MAXIMUM
CARBON	0.15 %	0.25 %
MANGANESE	0.30 %	0.60 %
PHOSPHORUS		0.04 %
SULPHUR		0.05 %

0	17/12/15	REVISED PDF VERSION ESTABLISHED	
No.	Date	Revision	By Approved
Standard/		MACHINING FROG BASE PLATE FOR NO 16 R.B.M. FROG 136 LB. R.E. RAILS	
Drawn	MG	Checked	GGG
		Approved	<i>MBL</i> VP Corridor Infrastructure
Date	DEC 15, 2017	Plan Number	GTS-0638
		Rev	0
REFERENCE: TS-638		Sheet 1 OF 5	



TYPICAL PANDROL SHOULDER INSTALLATION



FROG
BASE PLATE
FP-706

NOTES

1. WHEN REFERRING TO FROG BASE PLATES, PLAN AND PLATE NUMBERS MUST BE STATED TO INDICATE SPECIFIC PLATE REQUIRED.
2. IDENTIFICATION CHARACTERS (1/2" MINIMUM HEIGHT) TO BE STAMPED ON EACH PLATE AS SHOWN.
3. UNLESS OTHERWISE SPECIFIED ALL DIMENSIONS ARE IN INCHES.

MATERIAL

PLATES TO CONFORM TO THE LATEST REVISION OF GO TRANSIT TRACK STANDARDS OR IN GENERAL WITH LATEST REVISION OF A.S.T.M. SPECIFICATION FOR COMMERCIAL QUALITY HOT ROLLED BAR STEEL A-675 CHEMICAL REQUIREMENT.

	MINIMUM	MAXIMUM
CARBON	0.15 %	0.25 %
MANGANESE	0.30 %	0.60 %
PHOSPHORUS		0.04 %
SULPHUR		0.05 %

0	17/12/15	REVISED PDF VERSION ESTABLISHED	
No.	Date	Revision	By Approved

Standard/ **MACHINING**
FROG BASE PLATE
FOR NO 16 R.B.M. FROG 136 LB. R.E. RAILS

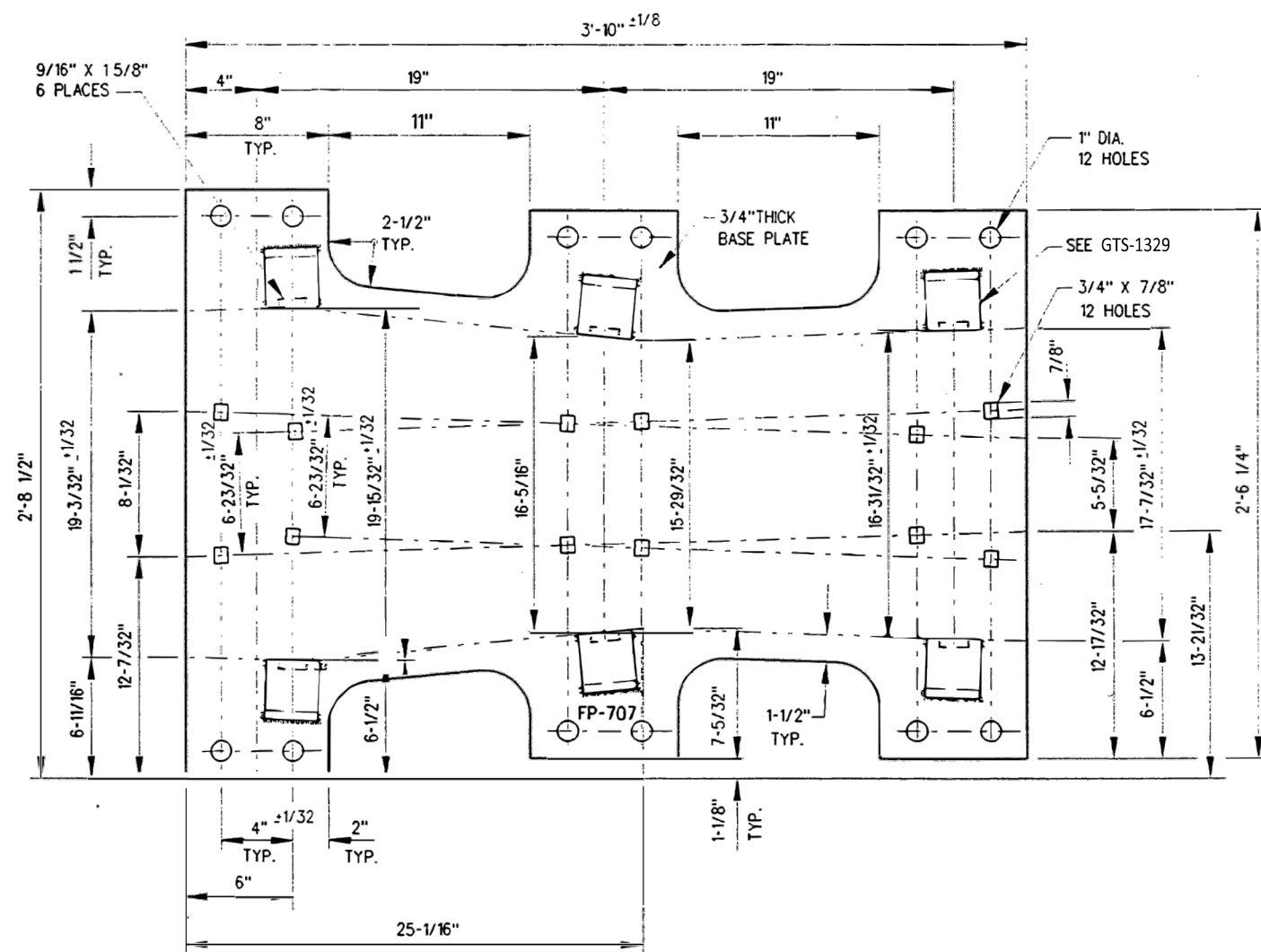
Drawn MG Checked GGS Approved *MBL*
VP Corridor Infrastructure



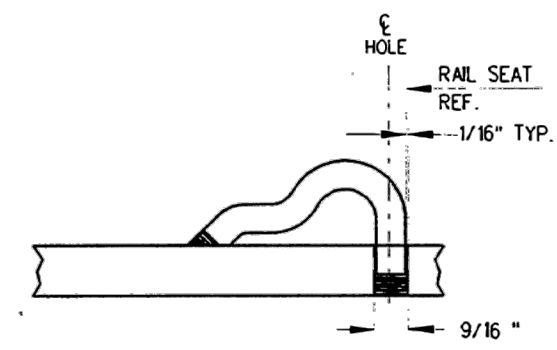
Date DEC 15, 2017 Plan Number GTS-0638 Rev 0

REFERENCE: TS-638

Sheet 2 OF 5



FROG
BASE PLATE
FP-707





TYPICAL PANDROL SHOULDER
INSTALLATION

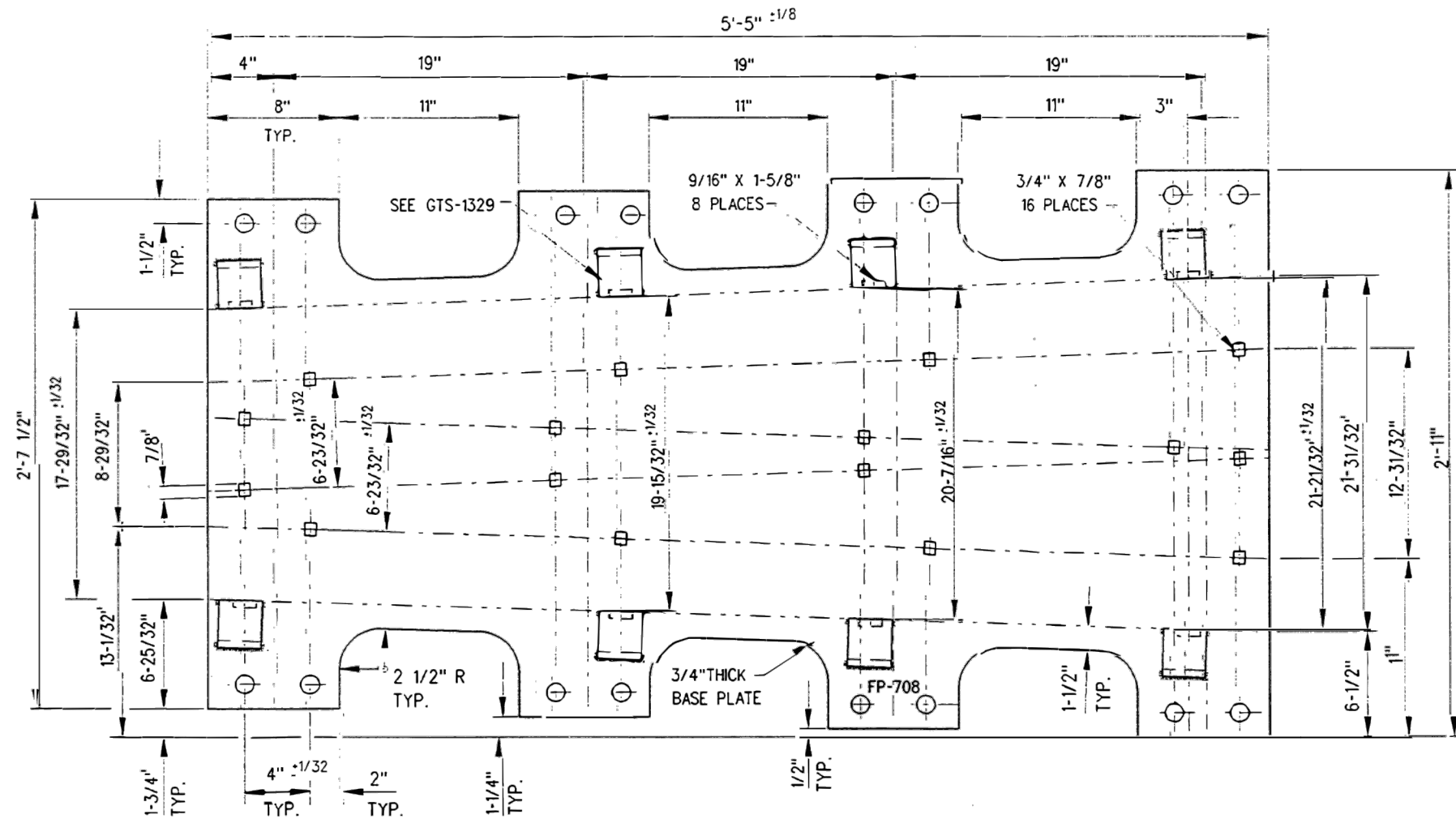
NOTES

1. WHEN REFERRING TO FROG BASE PLATES, PLAN AND PLATE NUMBERS MUST BE STATED TO INDICATE SPECIFIC PLATE REQUIRED.
2. IDENTIFICATION CHARACTERS (1/2" MINIMUM HEIGHT) TO BE STAMPED ON EACH PLATE AS SHOWN.
3. UNLESS OTHERWISE SPECIFIED ALL DIMENSIONS ARE IN INCHES.

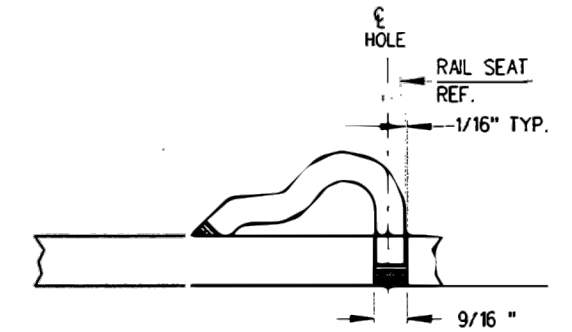
MATERIAL

PLATES TO CONFORM TO THE LATEST REVISION OF GO TRANSIT TRACK STANDARDS OR IN GENERAL WITH LATEST REVISION OF A.S.T.M. SPECIFICATION FOR COMMERCIAL QUALITY HOT ROLLED BAR STEEL A-675 CHEMICAL REQUIREMENT.

0	17/12/15	REVISED PDF VERSION ESTABLISHED	
No.	Date	Revision	By Approved
Standard/		MACHINING FROG BASE PLATE FOR NO 16 R.B.M. FROG 136 LB. R.E. RAILS	
Drawn	MG	Checked	Approved <i>GG</i> VP Corridor Infrastructure
			
Date	DEC 15, 2017	Plan Number	GTS-0638 Rev 0
REFERENCE: TS-638		Sheet 3 OF 5	



FROG
BASE PLATE
FP-708



TYPICAL PANDROL SHOULDER
INSTALLATION

NOTES:

1. WHEN REFERRING TO FROG BASE PLATES, PLAN AND PLATE NUMBERS MUST BE STATED TO INDICATE SPECIFIC PLATE REQUIRED.
2. IDENTIFICATION CHARACTERS (1/2" MINIMUM HEIGHT) TO BE STAMPED ON EACH PLATE AS SHOWN.
3. UNLESS OTHERWISE SPECIFIED ALL DIMENSIONS ARE IN INCHES.

MATERIAL:

PLATES TO CONFORM TO THE LATEST REVISION OF GO TRANSIT TRACK STANDARDS OR IN GENERAL WITH LATEST REVISION OF A.S.T.M. SPECIFICATION FOR COMMERCIAL QUALITY HOT ROLLED BAR STEEL A-675 CHEMICAL REQUIREMENT.

	MINIMUM	MAXIMUM
CARBON	0.15 %	0.25 %
MANGANESE	0.30 %	0.60 %
PHOSPHORUS		0.04 %
SULPHUR		0.05 %

0	17/12/15	REVISED PDF VERSION ESTABLISHED	
No.	Date	Revision	By Approved

Standard/ **MACHINING**
FROG BASE PLATE
FOR NO 20 R.B.M. FROG 136 LB. R.E. RAILS

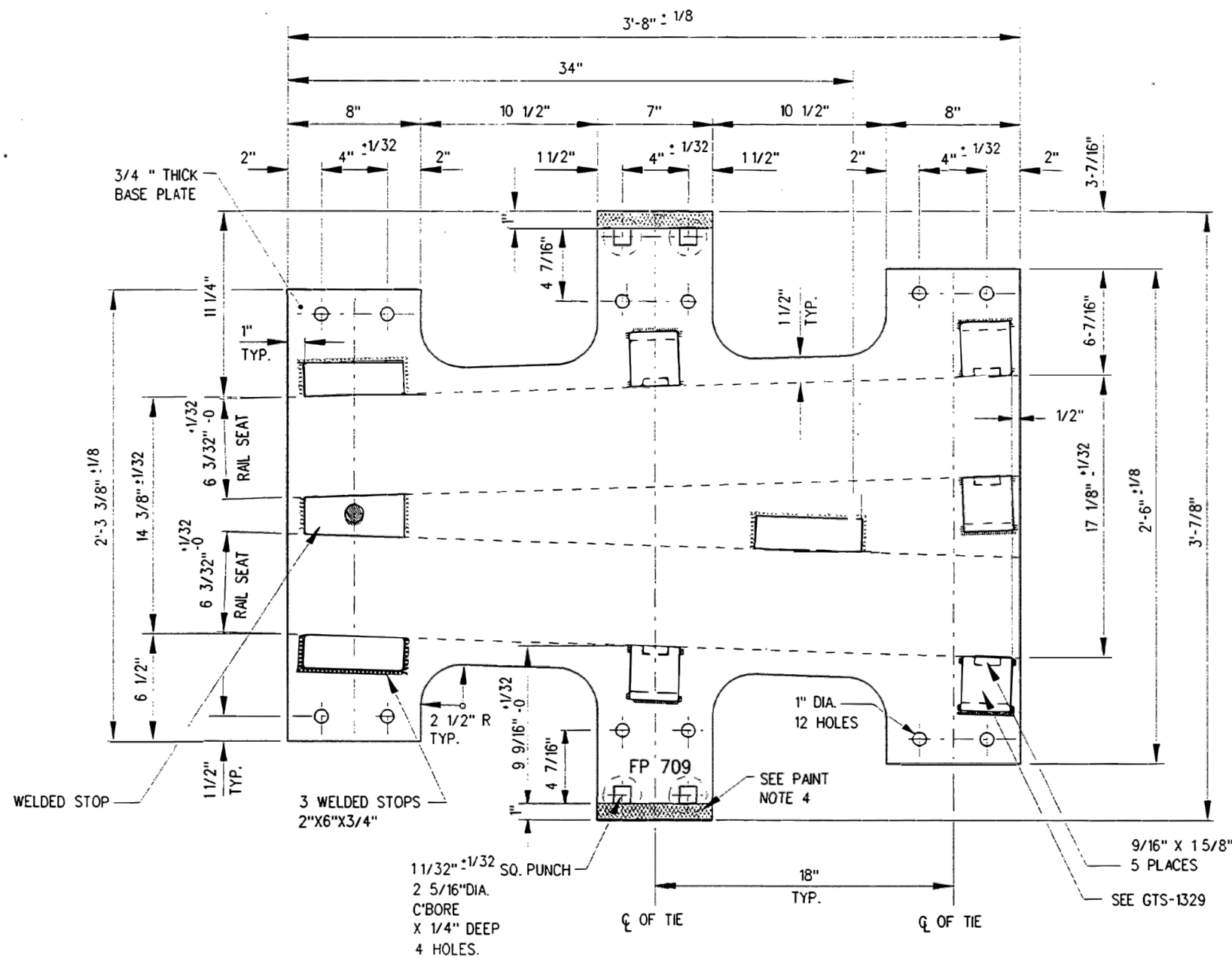
Drawn MG Checked GS Approved *MSL*
VP Corridor Infrastructure



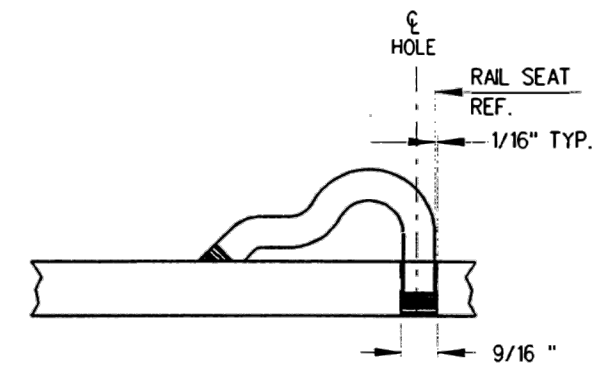
Date DEC 15, 2017 Plan Number GTS-0638 Rev 0

REFERENCE: TS-638

Sheet 4 OF 5



FROG BASE PLATE
FP-709



TYPICAL PANDROL SHOULDER
INSTALLATION

NOTES

- 1 WHEN REFERRING TO FROG BASE PLATES, PLAN AND PLATE NUMBERS MUST BE STATED TO INDICATE SPECIFIC PLATE REQUIRED.
- 2 IDENTIFICATION CHARACTERS (1/2" MINIMUM HEIGHT) TO BE STAMPED ON EACH PLATE AS SHOWN.
- 3 UNLESS OTHERWISE SPECIFIED ALL DIMENSIONS ARE IN INCHES.
- 4 THE ENDS OF FROG BASE PLATES TO BE PAINTED WITH INSULATING PAINT AS SHOWN.

MATERIAL

PLATES TO CONFORM TO THE LATEST REVISION OF GO TRANSIT TRACK STANDARDS OR IN GENERAL WITH LATEST REVISION OF A.S.T.M. SPECIFICATION FOR COMMERCIAL QUALITY HOT ROLLED BAR STEEL A-675 CHEMICAL REQUIREMENT.

	MINIMUM	MAXIMUM
CARBON	0.15 %	0.25 %
MANGANESE	0.30 %	0.60 %
PHOSPHORUS		0.04 %
SULPHUR		0.05 %

0	17/12/15	REVISED PDF VERSION ESTABLISHED	
No.	Date	Revision	By Approved
Standard/		MACHINING FROG BASE PLATE FOR NO 16 R.B.M. FROG 136 LB. R.E. RAILS	
Drawn	MG	Checked	GGS
		Approved	<i>[Signature]</i> VP Corridor Infrastructure
Date	DEC 15, 2017	Plan Number	GTS-0638
		Rev	0
REFERENCE: TS-638		Sheet 5 OF 5	