

NOTES

1. WHEN REFERRING TO FROG PLATES, PLAN AND PLATE NUMBERS MUST BE STATED TO INDICATE SPECIFIC PLATE REQUIRED.
2. IDENTIFICATION CHARACTERS (1/2" MINIMUM HEIGHT) TO BE STAMPED ON EACH PLATE AS SHOWN.
3. ALL DIMENSIONS ARE IN INCHES.
4. UNLESS OTHERWISE SPECIFIED ALL TOLERANCES TO BE ±1/32.

MATERIAL

PLATES TO CONFORM TO THE LATEST REVISION OF GO TRANSIT TRANSIT TRACK STANDARDS OR IN GENERAL WITH LATEST REVISION OF A.S.T.M. SPECIFICATION FOR COMMERCIAL QUALITY HOT ROLLED BAR STEEL A-675 CHEMICAL REQUIREMENT.

	MINIMUM	MAXIMUM
CARBON	0.15 %	0.25 %
MANGANESE	0.30 %	0.60 %
PHOSPHORUS		0.04 %
SULPHUR		0.05 %

PLATES	A	B	C	D	E	WEIGHT (LBS.)	STOCK NUMBERS	
	±1/8	±1/16					NEW	PART WORN
FP-617R	31	29-5/8	24-5/8	17-13/16	5°			

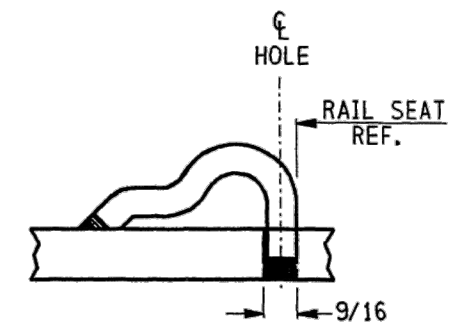
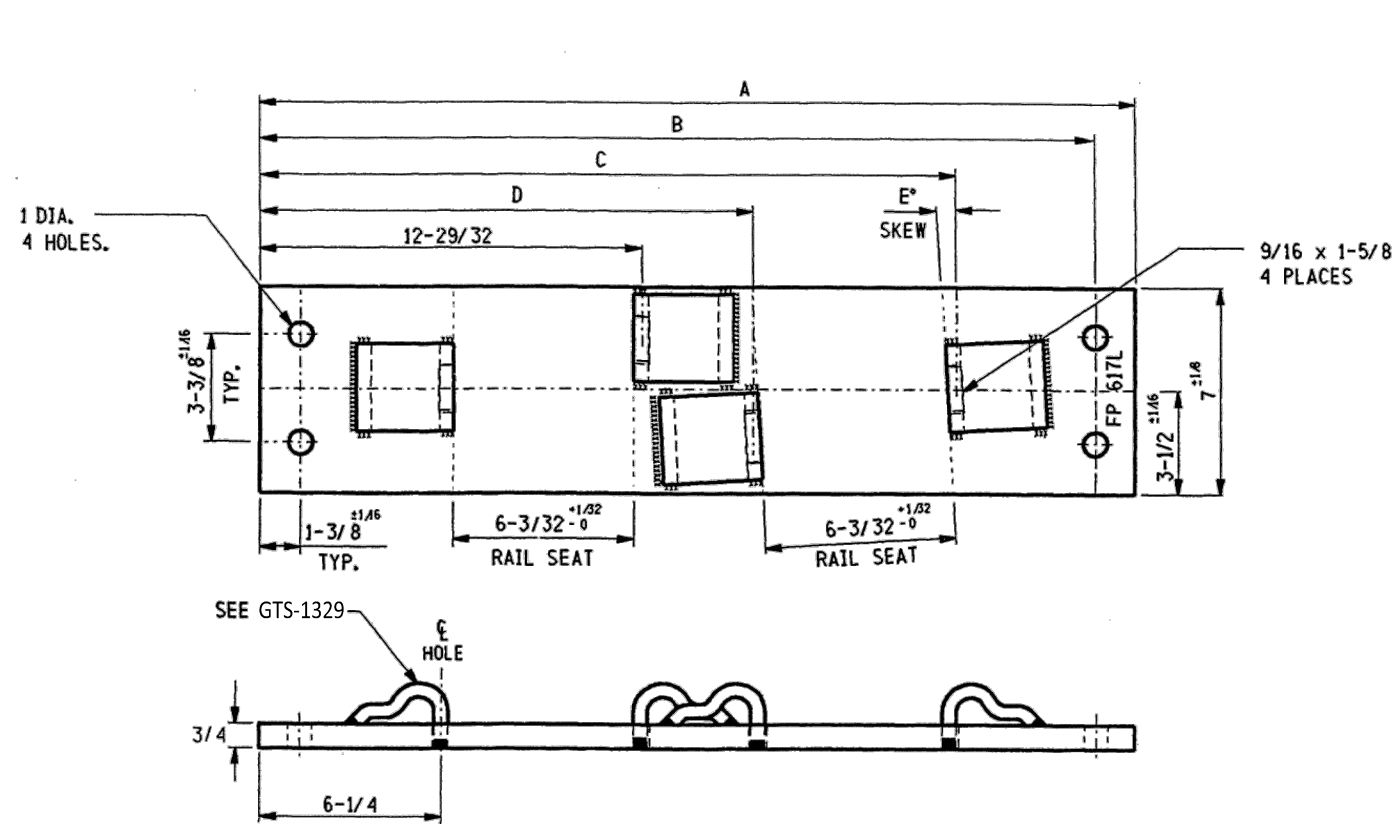
0	17/12/15	REVISED PDF VERSION ESTABLISHED	
No.	Date	Revision	By Approved

Standard / **RIGHT HAND FROG PLATES FOR CONCRETE TIE TURNOUTS**

Drawn MG Checked GGS Approved *KBL*
VP Corridor Infrastructure



Date DEC 15, 2017 Plan Number GTS-0651 Rev 0



TYPICAL PANDROL SHOULDER INSTALLATION

NOTES

1. WHEN REFERRING TO FROG PLATES, PLAN AND PLATE NUMBERS MUST BE STATED TO INDICATE SPECIFIC PLATE REQUIRED.
2. IDENTIFICATION CHARACTERS (1/2" MINIMUM HEIGHT) TO BE STAMPED ON EACH PLATE AS SHOWN.
3. ALL DIMENSIONS ARE IN INCHES.
4. UNLESS OTHERWISE SPECIFIED ALL TOLERANCES TO BE ±1/32.

MATERIAL

PLATES TO CONFORM TO THE LATEST REVISION OF GO TRANSIT TRACK STANDARDS OR IN GENERAL WITH LATEST REVISION OF A.S.T.M. SPECIFICATION FOR COMMERCIAL QUALITY HOT ROLLED BAR STEEL A-675 CHEMICAL REQUIREMENT.

	MINIMUM	MAXIMUM
CARBON	0.15 %	0.25 %
MANGANESE	0.30 %	0.60 %
PHOSPHORUS		0.04 %
SULPHUR		0.05 %

PLATES	A	B	C	D	E	WEIGHT (LBS.)	STOCK NUMBERS	
	±1/8	±1/16					NEW	PART WORN
FP-617L	31	29-5/8	24-5/8	17-13/16	5°			

0	17/12/15	REVISED PDF VERSION ESTABLISHED	
No.	Date	Revision	By Approved
Standard/		RIGHT HAND FROG PLATES FOR CONCRETE TIE TURNOUTS	
Drawn	MG	Checked	GGG
		Approved	<i>KBL</i> VP Corridor Infrastructure
Date	DEC 15, 2017	Plan Number	GTS-0651 Rev 0
REFERENCE: TS-651		Sheet 2 OF 2	