

TYPICAL PANDROL SHOULDER INSTALLATION

**NOTES**

1. WHEN REFERRING TO FROG PLATES, PLAN AND PLATE NUMBERS MUST BE STATED TO INDICATE SPECIFIC PLATE REQUIRED.
2. IDENTIFICATION CHARACTERS (1/2" MINIMUM HEIGHT) TO BE STAMPED ON EACH PLATE AS SHOWN.
3. ALL DIMENSIONS ARE IN INCHES.
4. UNLESS OTHERWISE SPECIFIED ALL TOLERANCES TO BE ± 1/32.

**MATERIAL**

PLATES TO CONFORM TO THE LATEST REVISION OF GO TRANSIT TRACK STANDARDS OR IN GENERAL WITH LATEST REVISION OF A.S.T.M. SPECIFICATION FOR COMMERCIAL QUALITY HOT ROLLED BAR STEEL A-675 CHEMICAL REQUIREMENT.

	MINIMUM	MAXIMUM
CARBON	0.15 %	0.25 %
MANGANESE	0.30 %	0.60 %
PHOSPHORUS		0.04 %
SULPHUR		0.05 %

PLATES	A ±1/16	B	C	WEIGHT (LBS)	STOCK NUMBERS	
					NEW	PART WORN
FP-652R	39-3/4	38-3/8	33-11/32			
FP-653R	41-1/2	40-1/8	35-3/32			

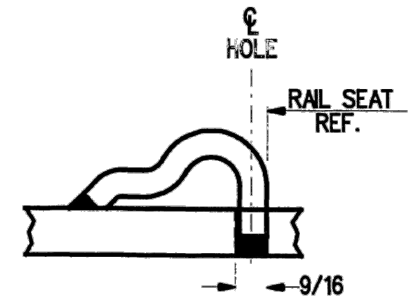
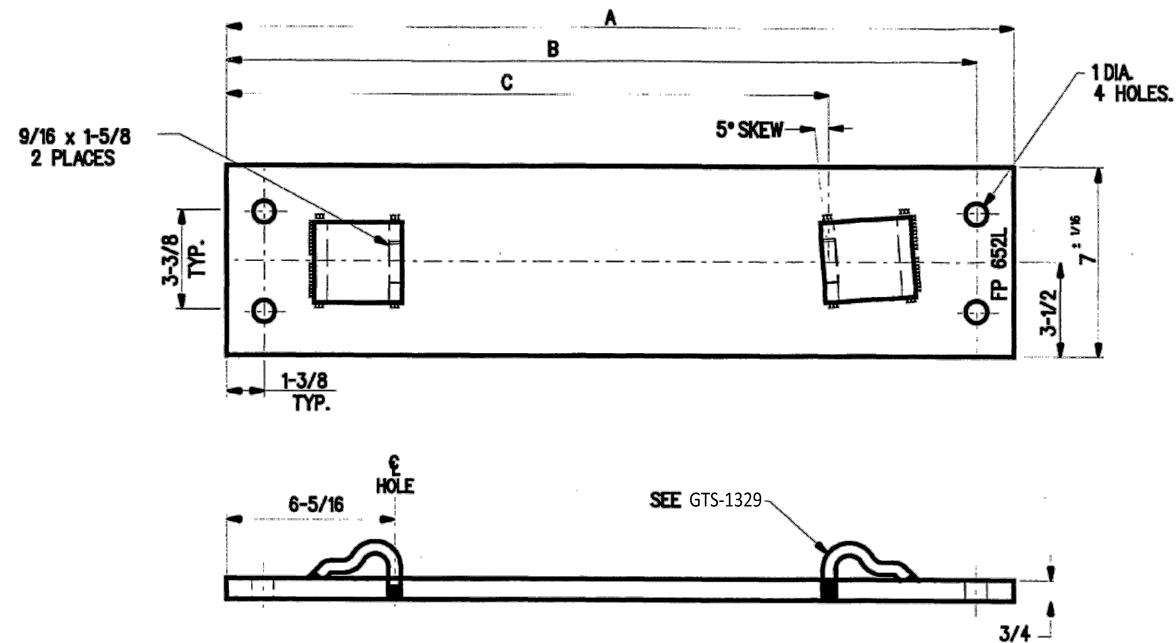
0	17/12/15	REVISED PDF VERSION ESTABLISHED	
No.	Date	Revision	By Approved

Standard / RIGHT HAND  
**FROG PLATES**  
 FOR CONCRETE TIE TURNOUTS

Drawn MG Checked GGS Approved *KBL*  
 VP Corridor Infrastructure



Date	DEC 15, 2017	Plan Number	GTS-0672	Rev	0
------	--------------	-------------	----------	-----	---



TYPICAL PANDROL SHOULDER  
INSTALLATION

**NOTES**

1. WHEN REFERRING TO FROG PLATES, PLAN AND PLATE NUMBERS MUST BE STATED TO INDICATE SPECIFIC PLATE REQUIRED.
2. IDENTIFICATION CHARACTERS (1/2" MINIMUM HEIGHT) TO BE STAMPED ON EACH PLATE AS SHOWN.
3. ALL DIMENSIONS ARE IN INCHES.
4. UNLESS OTHERWISE SPECIFIED ALL TOLERANCES TO BE ± 1/32.

**MATERIAL**

PLATES TO CONFORM TO THE LATEST REVISION OF GO TRANSIT TRACK STANDARDS OR IN GENERAL WITH LATEST REVISION OF A.S.T.M. SPECIFICATION FOR COMMERCIAL QUALITY HOT ROLLED BAR STEEL A-675 CHEMICAL REQUIREMENT.

	MINIMUM	MAXIMUM
CARBON	0.15 %	0.25 %
MANGANESE	0.30 %	0.60 %
PHOSPHORUS		0.04 %
SULPHUR		0.05 %

PLATES	A ±1/16	B	C	WEIGHT (LBS)	STOCK NUMBERS	
					NEW	PART WORN
FP-652L	39-3/4	38-3/8	33-11/32			
FP-653L	41-1/2	40-1/8	35-3/32			

0	17/12/15	REVISED PDF VERSION ESTABLISHED	
No.	Date	Revision	By Approved
Standard/		RIGHT HAND FROG PLATES FOR CONCRETE TIE TURNOUTS	
Drawn	MG	Checked	Approved
		GGG	VP Corridor Infrastructure
Date		Plan Number	Rev
DEC 15, 2017		GTS-0672	0
REFERENCE: TS-672			Sheet 2 OF 2

