

NOTES

1. WHEN REFERRING TO FROG PLATES, PLAN AND PLATE NUMBERS MUST BE STATED TO INDICATE SPECIFIC PLATE REQUIRED.
2. IDENTIFICATION CHARACTERS (1/2" MINIMUM HEIGHT) TO BE STAMPED ON EACH PLATE AS SHOWN.
3. ALL DIMENSIONS ARE IN INCHES.
4. UNLESS OTHERWISE SPECIFIED ALL TOLERANCES TO BE ±1/32.

MATERIAL

PLATES TO CONFORM TO THE LATEST REVISION OF GO TRANSIT TRACK STANDARDS OR IN GENERAL WITH LATEST REVISION OF A.S.T.M. SPECIFICATION FOR COMMERCIAL QUALITY HOT ROLLED BAR STEEL A-675 CHEMICAL REQUIREMENT.

	MINIMUM	MAXIMUM
CARBON	0.15 %	0.25 %
MANGANESE	0.30 %	0.60 %
PHOSPHORUS		0.04 %
SULPHUR		0.05 %

PLATES	A	B	C	D	E	WEIGHT (LBS)	STOCK NUMBERS	
	±1/16						NEW	PART WORN
FP-657R	28-1/2	27-1/8	22-19/64	16-3/16	5°			
FP-658R	24-1/4	22-7/8	18-3/64	11-15/16	5°			

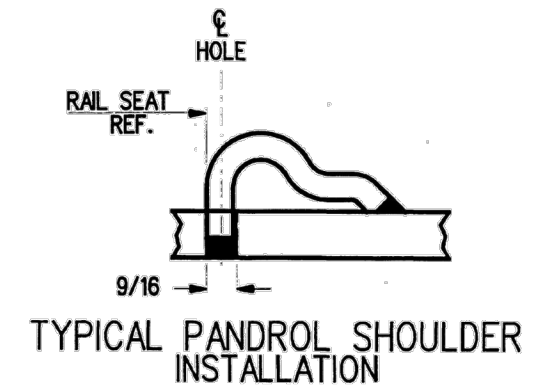
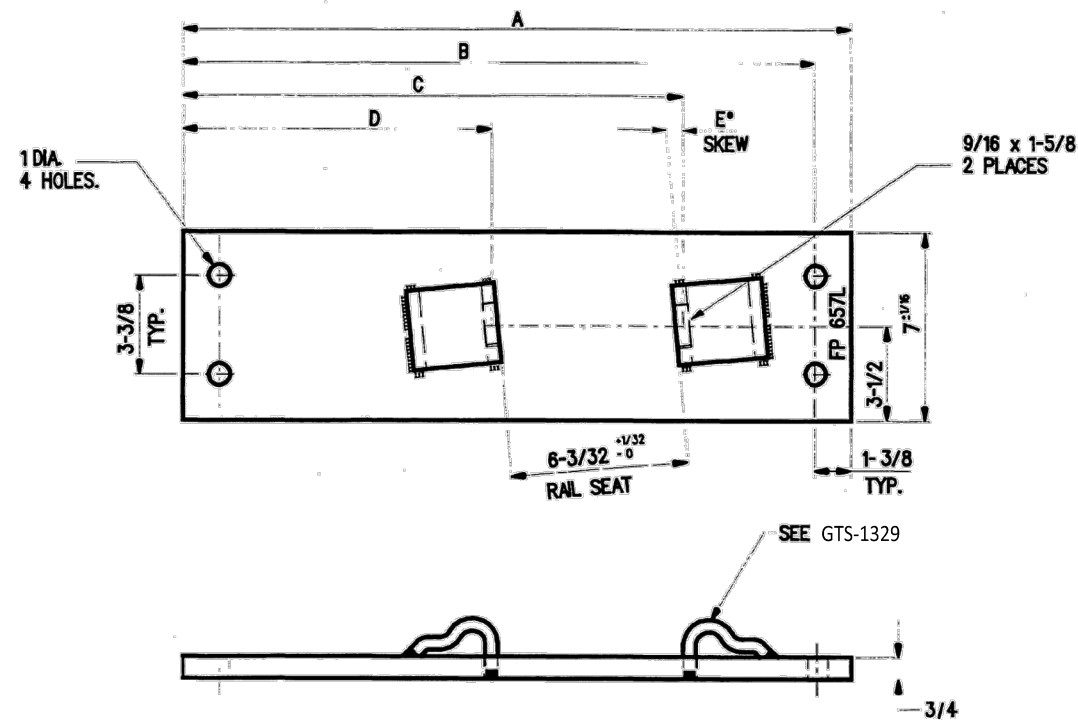
0	17/12/15	REVISED PDF VERSION ESTABLISHED	
No.	Date	Revision	By Approved

Standard / **RIGHT HAND FROG PLATES FOR CONCRETE TIE TURNOUTS**

Drawn MG Checked GGS Approved *KBL*
VP Corridor Infrastructure



Date DEC 15, 2017 Plan Number GTS-0674 Rev 0



NOTES

1. WHEN REFERRING TO FROG PLATES, PLAN AND PLATE NUMBERS MUST BE STATED TO INDICATE SPECIFIC PLATE REQUIRED.
2. IDENTIFICATION CHARACTERS (1/2" MINIMUM HEIGHT) TO BE STAMPED ON EACH PLATE AS SHOWN.
3. ALL DIMENSIONS ARE IN INCHES.
4. UNLESS OTHERWISE SPECIFIED ALL TOLERANCES TO BE $\pm 1/32$.

MATERIAL

PLATES TO CONFORM TO THE LATEST REVISION OF GO TRANSIT TRACK STANDARDS OR IN GENERAL WITH LATEST REVISION OF A.S.T.M. SPECIFICATION FOR COMMERCIAL QUALITY HOT ROLLED BAR STEEL A-675 CHEMICAL REQUIREMENT.

	MINIMUM	MAXIMUM
CARBON	0.15 %	0.25 %
MANGANESE	0.30 %	0.60 %
PHOSPHORUS		0.04 %
SULPHUR		0.05 %

PLATES	A $\pm 1/16$	B	C	D	E	WEIGHT (LBS)	STOCK NUMBERS	
							NEW	PART WORN
FP-657L	28-1/2	27-1/8	22-19/64	16-3/16	5°			
FP-658L	24-1/4	22-7/8	18-3/64	11-15/16	5°			

0	17/12/15	REVISED PDF VERSION ESTABLISHED	
No.	Date	Revision	By Approved

Standard / **RIGHT HAND FROG PLATES FOR CONCRETE TIE TURNOUTS**

Drawn MG Checked GGS Approved *KBL*
VP Corridor Infrastructure



Date DEC 15, 2017 Plan Number GTS-0674 Rev 0

REFERENCE: TS-674

Sheet 2 OF 2