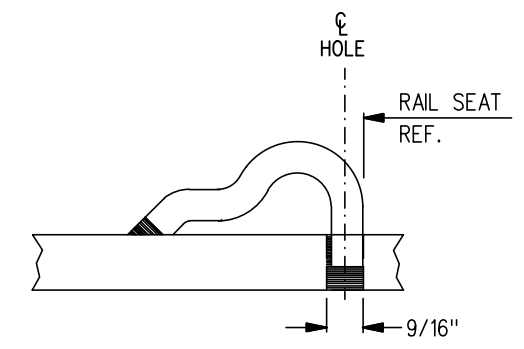


DETAIL
FROG
BASE PLATE
FP-661R



TYPICAL PANDROL SHOULDER
INSTALLATION

NOTES

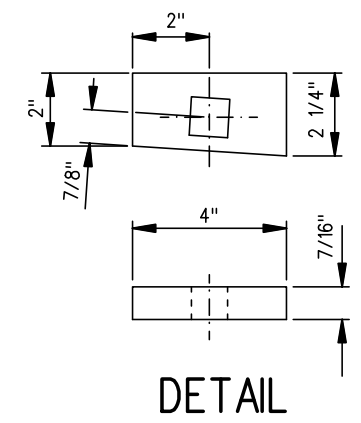
1. WHEN REFERRING TO FROG BASE PLATES, PLAN AND PLATE NUMBERS MUST BE STATED TO INDICATE SPECIFIC PLATE REQUIRED.
2. IDENTIFICATION CHARACTERS (1/2" MINIMUM HEIGHT) TO BE STAMPED ON EACH PLATE AS SHOWN.
3. UNLESS OTHERWISE SPECIFIED ALL DIMENSIONS ARE IN INCHES.

MATERIAL

PLATES TO CONFORM TO THE LATEST REVISION OF GO TRACK STANDARDS OR IN GENERAL WITH LATEST REVISION OF A.S.T.M. SPECIFICATION FOR COMMERCIAL QUALITY HOT ROLLED BAR STEEL A-675 CHEMICAL REQUIREMENT.

	MINIMUM	MAXIMUM
CARBON	0.15 %	0.25 %
MANGANESE	0.30 %	0.60 %
PHOSPHORUS		0.04 %
SULPHUR		0.05 %

FROG
BASE PLATE
FP-661L



DETAIL

0	17/09/15	DWG VERSION ESTABLISHED	
No.	Date	Revision	By Approved
MACHINING FROG BASE PLATES FOR NO. 6 RBM FROG 8 ON 10-136 LB. LAP TURNOUT			
Drawn	MG	Checked	GS
		Approved	<i>[Signature]</i> VP Corridor Infrastructure
Date	SEPT 15/2017	Plan Number	GTS-0681
		Rev	0
REFERENCE: TS-0681_R0			Sheet 1 OF 1