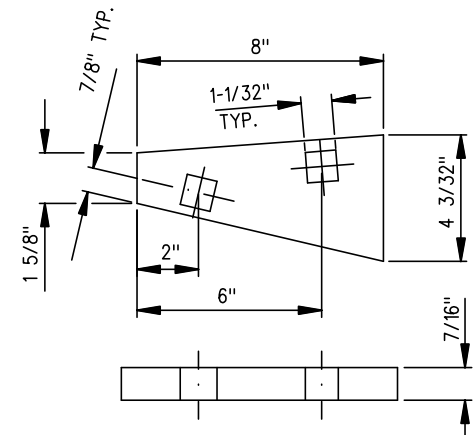
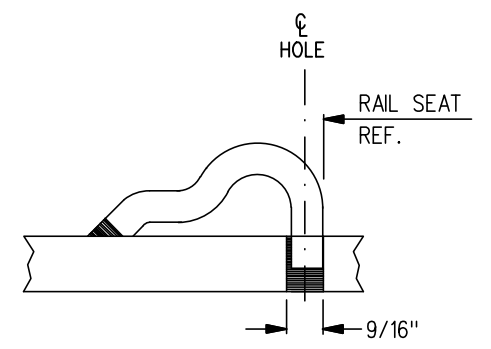


FROG
BASE PLATE
FP-663R

FROG
BASE PLATE
FP-663L



DETAIL



TYPICAL PANDROL SHOULDER
INSTALLATION

NOTES

1. WHEN REFERRING TO FROG BASE PLATES, PLAN AND PLATE NUMBERS MUST BE STATED TO INDICATE SPECIFIC PLATE REQUIRED.
2. IDENTIFICATION CHARACTERS (1/2" MINIMUM HEIGHT) TO BE STAMPED ON EACH PLATE AS SHOWN.
3. UNLESS OTHERWISE SPECIFIED ALL DIMENSIONS ARE IN INCHES.

MATERIAL

PLATES TO CONFORM TO THE LATEST REVISION OF GO TRACK STANDARDS OR IN GENERAL WITH LATEST REVISION OF A.S.T.M. SPECIFICATION FOR COMMERCIAL QUALITY HOT ROLLED BAR STEEL A-675 CHEMICAL REQUIREMENT.

	MINIMUM	MAXIMUM
CARBON	0.15 %	0.25 %
MANGANESE	0.30 %	0.60 %
PHOSPHORUS		0.04 %
SULPHUR		0.05 %

0	17/09/15	DWG VERSION ESTABLISHED	
No.	Date	Revision	By Approved
Standard		MACHINING FROG BASE PLATES FOR NO. 8 RBM FROG 8 ON 10-136 LB. LAP TURNOUT	
Drawn	MG	Checked	GS
		Approved	<i>[Signature]</i> VP Corridor Infrastructure
Date	SEPT 15/2017	Plan Number	GTS-0683
		Rev	0
REFERENCE: TS-0683_R0		Sheet 1 OF 1	