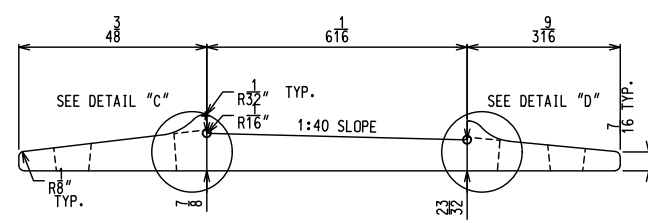
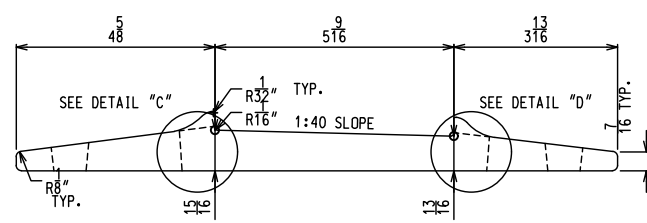
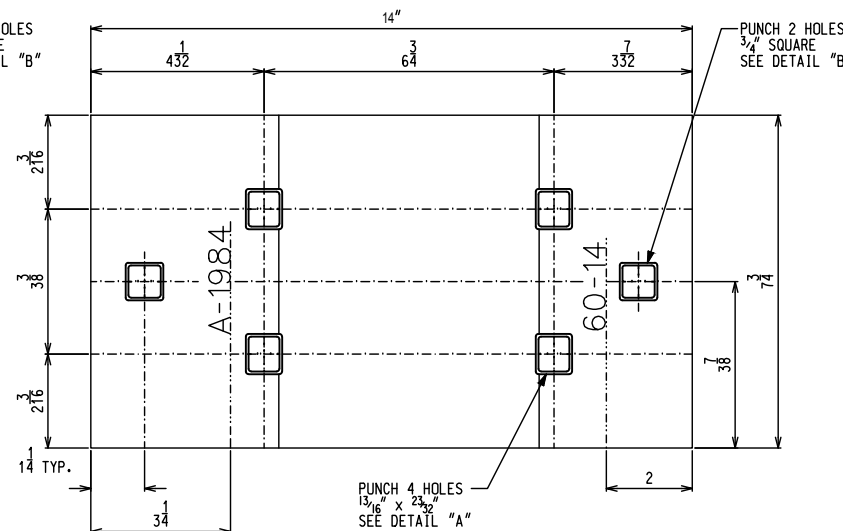
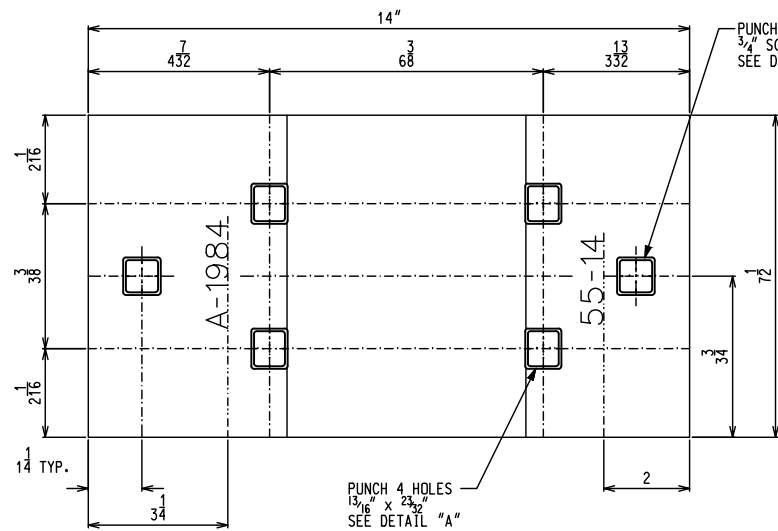


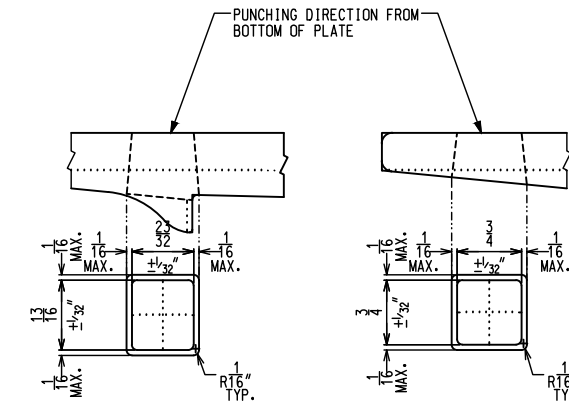
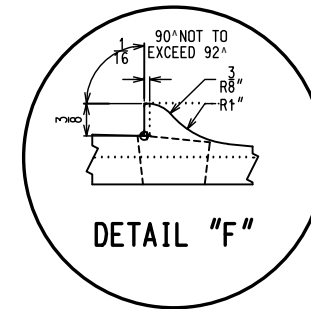
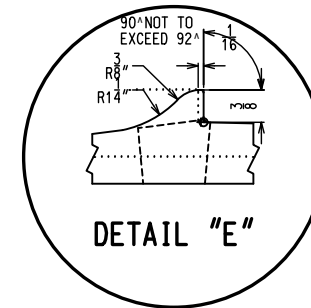
11" TIE PLATE FOR 100/115 RAIL-5 1/2" BASE WIDTH
WEIGHT= 12.94 LB/PLATE

12" TIE PLATE FOR 130/132/136 RAIL-6" BASE WIDTH
WEIGHT= 14.39 LB/PLATE



14" TIE PLATE FOR 100/115 RAIL-5 1/2" BASE WIDTH
WEIGHT= 22.04 LB/PLATE

14" TIE PLATE FOR 130/132/136 RAIL-6" BASE WIDTH
WEIGHT= 21.51 LB/PLATE



DETAIL "A" DETAIL "B"
TOLERANCE DETAIL OF SPIKE HOLES

NOTES

- MATERIAL TO CONFORM TO LATEST APPLICABLE AREMA SPECIFICATIONS FOR HIGH CARBON STEEL TIE PLATES.

MARKINGS

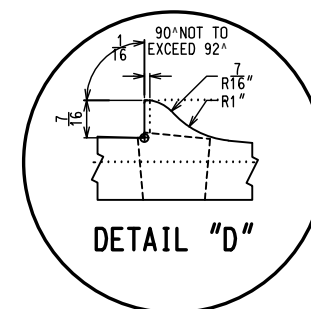
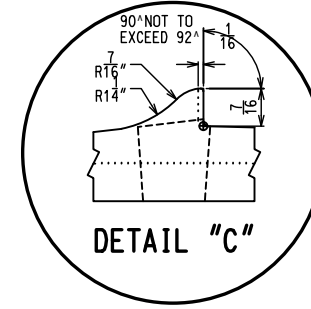
- 1/2" MIN. PLATE IDENTIFICATION CHARACTERS TO BE BRANDED PLAINLY AS SHOWN.
- THE MANUFACTURERS IDENTIFICATION LETTER AND THE FIGURES OF THE YEAR TO BE BRANDED PLAINLY IN 1/2" MINIMUM CHARACTERS ON EACH PLATE.

- MANUFACTURERS IDENTIFICATION LETTERS:
A- ALGOMA STEEL CORPORATION LTD.
H- STEEL COMPANY OF CANADA LTD.
D- SYDNEY STEEL CORPORATION
S- ARKANSAS STEEL ASSOCIATES (SUMITOMO)

ALL CHARACTERS SHALL BE RAISED 1/32".

TOLERANCES

	OVER	UNDER
THICKNESS.....	1/32"	1/32"
ROLLED WIDTH.....	1/32"	1/32"
SHEARED LENGTH.....	3/8"	3/8"
DISTANCE BETWEEN SHOULDERS.....	1/16"	0
HEIGHT OF SHOULDERS.....	1/32"	1/32"
SIZE OF SPIKE HOLES.....	1/64"	1/32"
DISTANCE BETWEEN SPIKE HOLES.....	1/32"	1/32"
LOCATION OF SPIKE HOLES FROM GAUGING SIDE.....	1/32"	1/32"
FLATNESS OF RAIL SEAT.....	0.025"	0.025"



METRIC CONVERSION: 1 inch=25.4mm, 1 foot=304.8mm

1	18/07/27	ADDED IMPERIAL TO METRIC CONVERSION NOTE
No.	Date	Revision
		By Approved

**Standard / TIE PLATES
DOUBLE SHOULDER
FOR 100,115,132, AND 136 LB. RAILS**

Drawn MG Checked GGS Approved *[Signature]*
VP Engineering & Asset Management



Date SEPT 15/2017 Plan Number GTS-0501 Rev 1