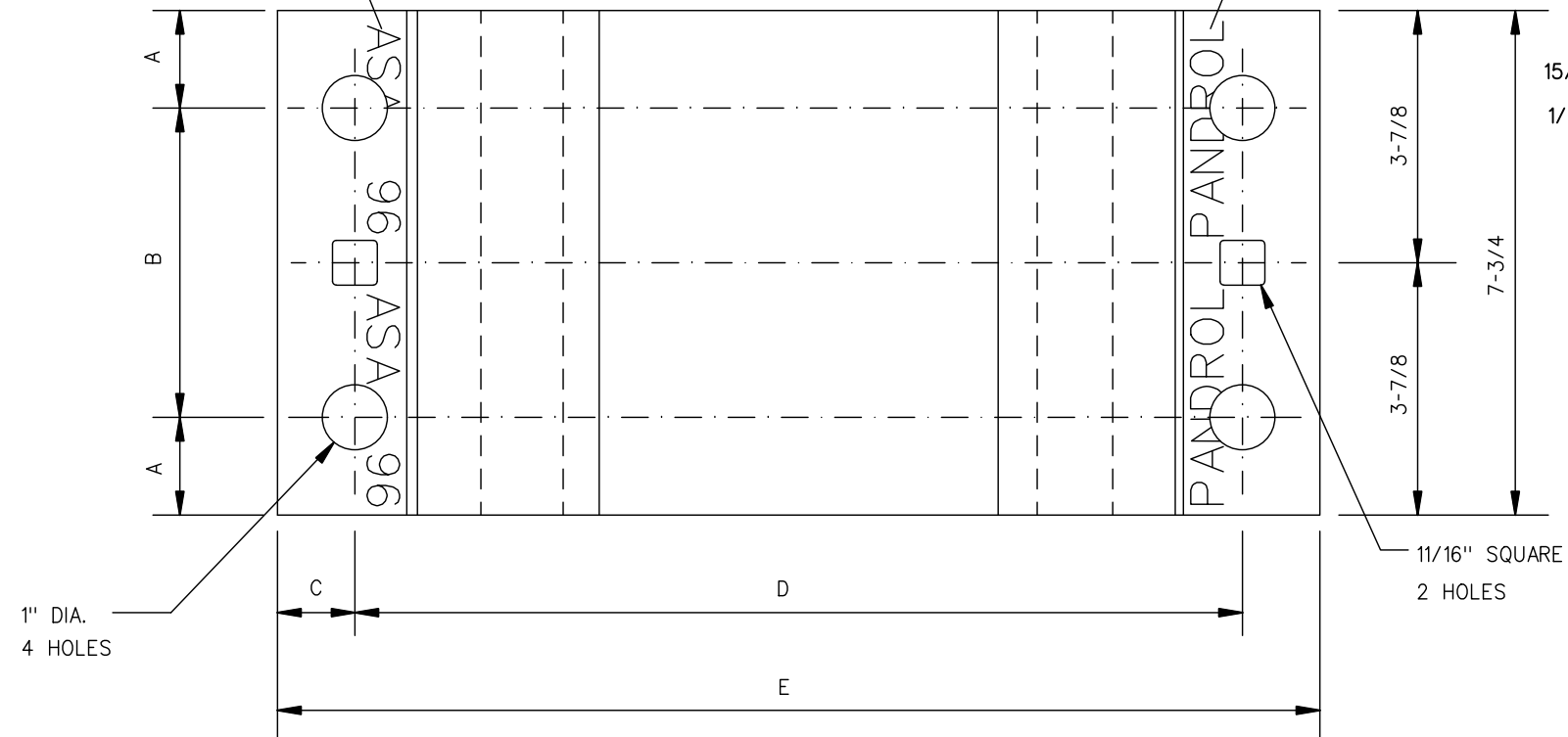


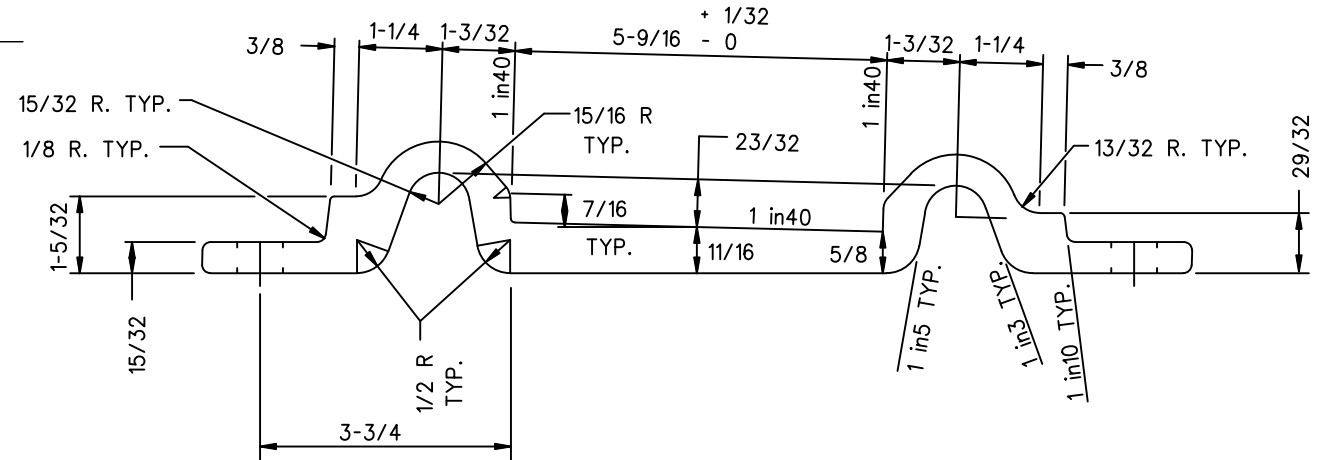
MANUFACTURER & YEAR
SEE MARKINGS-NOTES 1 & 2

SEE MARKINGS-NOTE 1

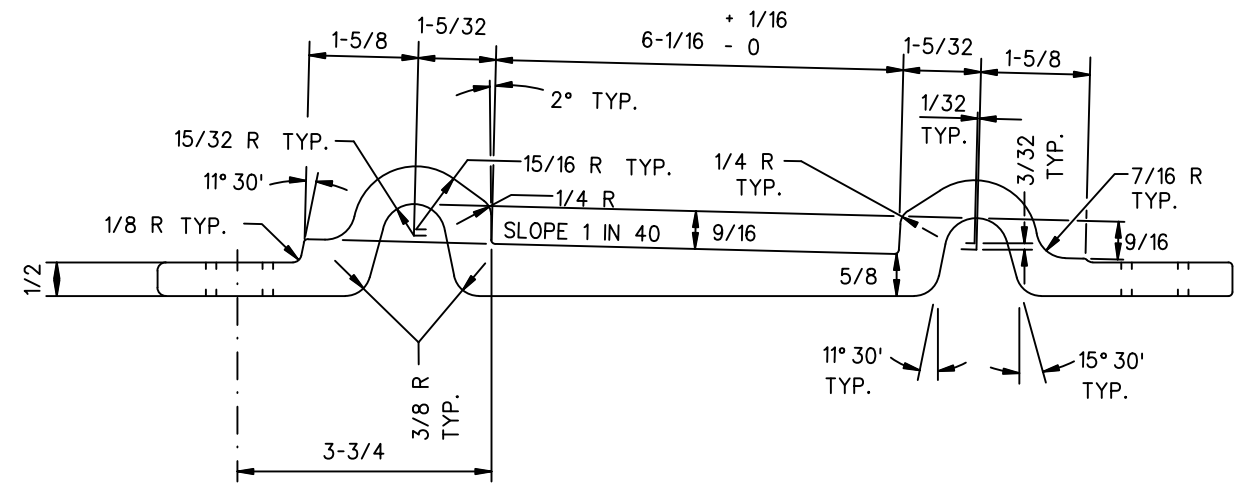


1" DIA.
4 HOLES

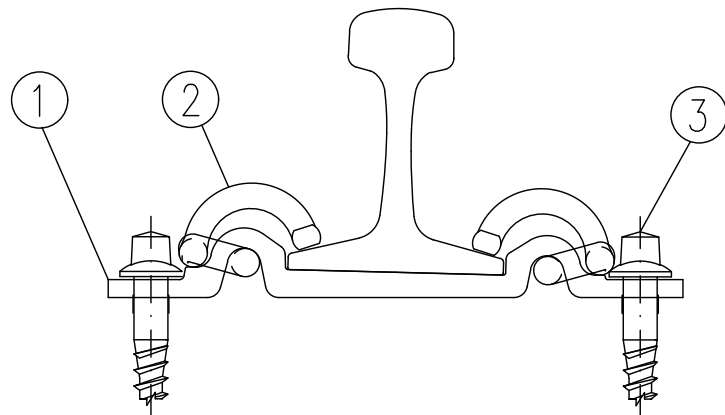
RAIL WEIGHT	A	B	C	D	E
100 & 115lb	1-5/8	4-1/2	15/16REF	13-1/8	15
132 & 136lb	1-1/2	4-3/4	1 MIN	13-5/8	16



100 & 115 lb. RAIL



132 & 136 lb. RAIL



NOTES

- MATERIAL TO CONFORM TO LATEST APPLICABLE AREMA SPECIFICATIONS FOR HIGH CARBON STEEL TIE PLATES.
- ALL DIMENSIONS ARE IN INCHES.
- ALL RADII ARE 1/16" UNLESS OTHERWISE SPECIFIED.
- WEIGHT PER PLATE = 23.4 LBS..

MARKINGS

- 1/2" MIN. PLATE IDENTIFICATION CHARACTERS TO BE ROLLED PLAINLY, AS SHOWN, IN RAISED CHARACTERS IN A CONTINUOUSLY REPEATING SEQUENCE. ALL CHARACTERS SHALL BE RAISED 1/32".
- MANUFACTURER'S IDENTIFICATION LETTERS:
ASA - ARKANSAS STEEL ASSOCIATES (SUMITOMO)

ITEM	DESCRIPTION	DWG. No.	QTY.
1	PANDROL ROLLED TIE PLATE (TYPICAL)	GTS-0501 /3	1
2	PANDROL CLIP - TYPE e2055	GTS-1322	2
3	WOOD TIE SCREW - Ss5	GTS-1315	4

TOLERANCES

	OVER	UNDER
THICKNESS	1/32	1/32
ROLLED WIDTH	1/8	1/8
SHEARED LENGTH	3/16	3/16
DISTANCE BETWEEN SHOULDERS 100 & 115 lb.	1/32	0
DISTANCE BETWEEN SHOULDERS 132 & 136 lb.	1/16	0
SIZE OF SPIKE HOLES	1/32	0
DISTANCE BETWEEN HOLES	1/32	1/32
FLATNESS OF RAIL SEAT	0.025	0.025

METRIC CONVERSION: 1 inch=25.4mm, 1 foot=304.8mm

1	18/07/27	ADDED IMPERIAL TO METRIC CONVERSION NOTE
No.	Date	Revision
		By Approved

Standard / **PANDROL ROLLED TIE PLATE FOR 100,115,132 AND 136 LB. RAILS**

Drawn GGS Checked RLB Approved *RLB* VP Engineering & Asset Management

METROLINX

Date SEPT 15/2017 Plan Number GTS-0501 Rev 1

REFERENCE: TS-0501_3_R3 Sheet 3 OF 5