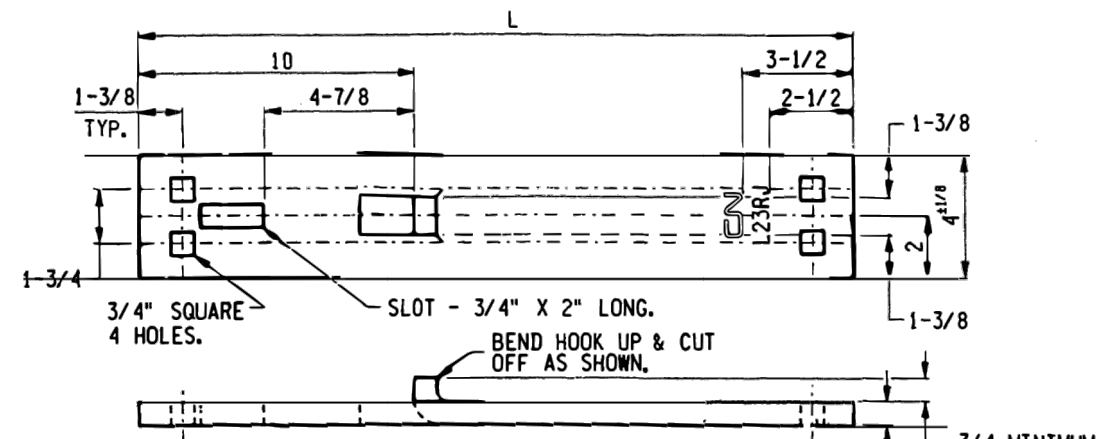
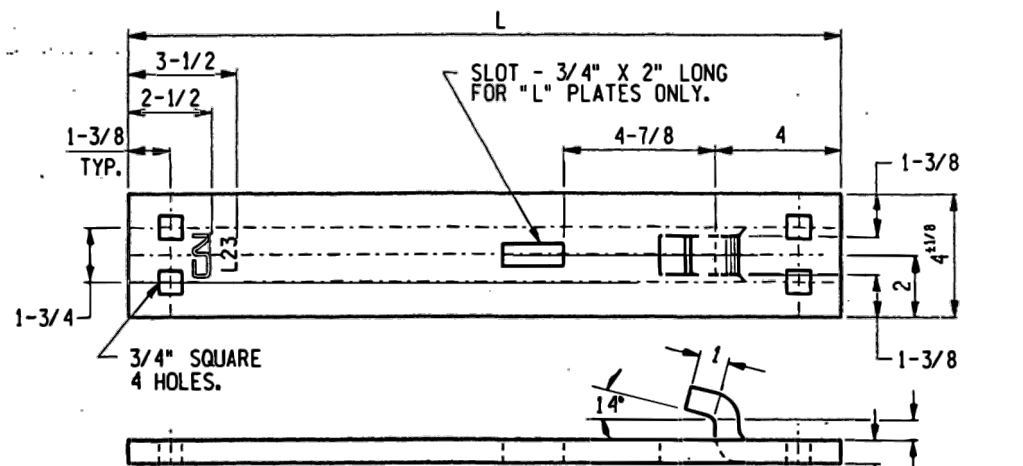
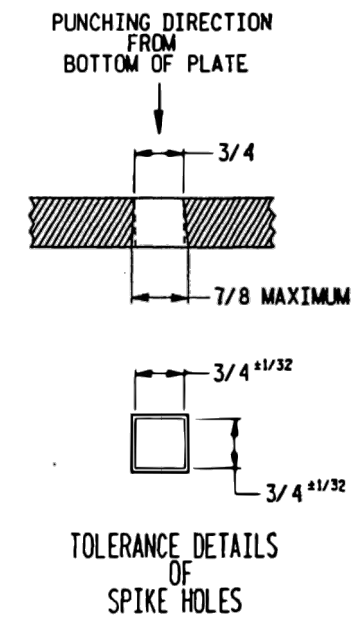


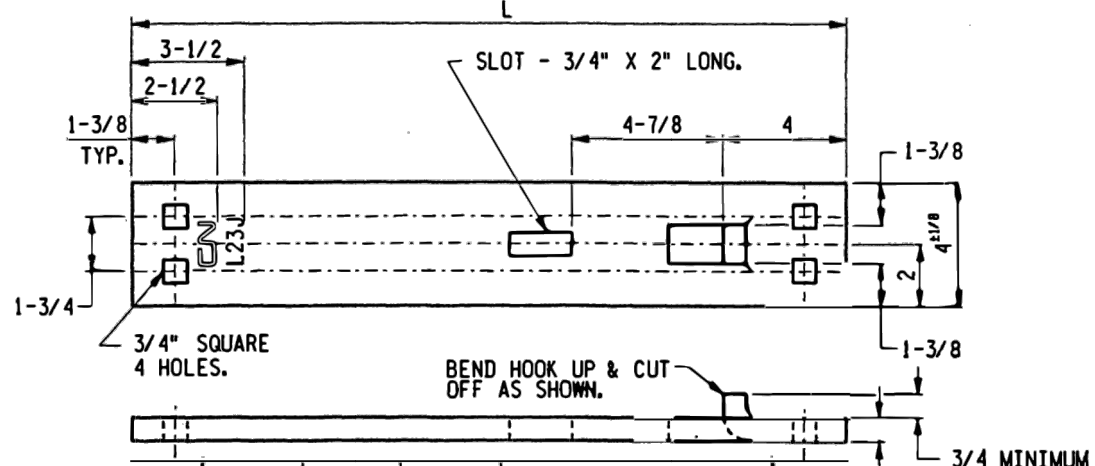
PLATES	L ±3/16	WEIGHT (LBS.)	STOCK NUMBERS	
			NEW	PART WORN
LR23	23	18.75		
LR27	27	22.15		
LR31	31	25.55		



PLATES	L ±3/16	WEIGHT (LBS.)	STOCK NUMBERS	
			NEW	PART WORN
LR23J	23	18.40		
LR27J	27	21.80		
LR31J	31	25.20		



PLATES	L ±3/16	H	WEIGHT (LBS.)	STOCK NUMBERS	
				NEW	PART WORN
L23	23	9/16	18.75		
L27	27	9/16	22.15		
L31	31	9/16	25.55		
H23	23	15/16	19.87		
H27	27	15/16	22.47		
H31	31	15/16	25.87		
H35	35	15/16	29.27		



PLATES	L ±3/16	WEIGHT (LBS.)	STOCK NUMBERS	
			NEW	PART WORN
L23J	23	18.40		
L27J	27	21.80		
L31J	31	25.20		

METRIC CONVERSION: 1 inch=25.4mm, 1 foot=304.8mm

NOTES

1. WHEN REFERRING TO TIE PLATES, PLAN AND PLATE NUMBERS MUST BE STATED TO INDICATE SPECIFIC PLATE REQUIRED.
2. IDENTIFICATION CHARACTERS (1/2" MINIMUM HEIGHT) TO BE STAMPED ON EACH PLATE AS SHOWN.
3. UNLESS OTHERWISE SPECIFIED ALL TOLERANCES TO BE ±1/16.
4. ALL PLATES TO BE IN ACCORDANCE WITH SPECIFICATION 12-2 LATEST ISSUE.
5. ALL DIMENSIONS ARE IN INCHES.

1	18/07/27	ADDED IMPERIAL TO METRIC CONVERSION NOTE	
No.	Date	Revision	By Approved
Standard		HOOK TWIN TIE PLATES	
Drawn	RFP	Checked	GGG
Approved		VP Engineering & Asset Management	
Date		Plan Number	Rev
DEC 15, 2017		GTS-0503	1
REFERENCE: TS-503		Sheet 1 OF 1	



METROLINX