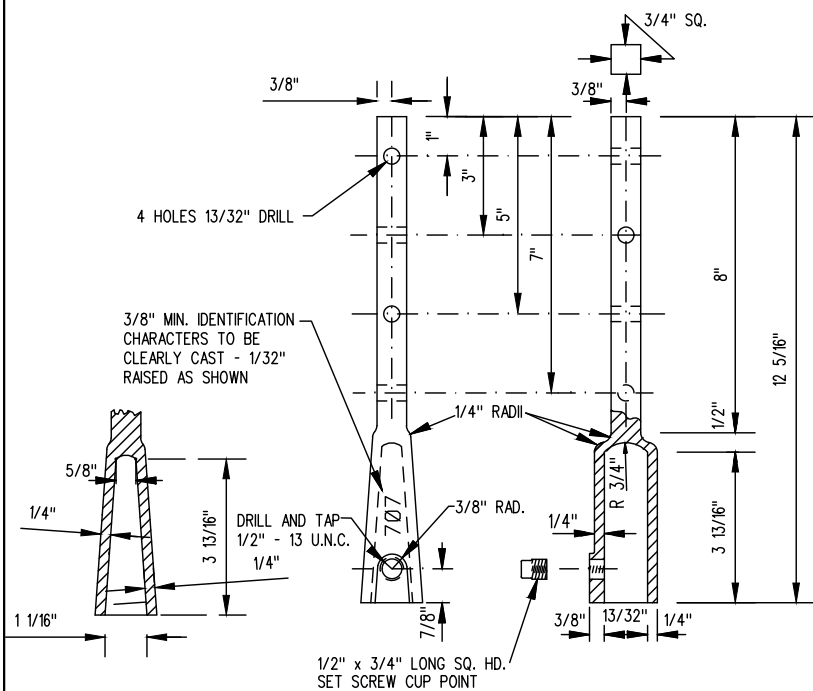


ITEM NO.	DESCRIPTION	STANDARD PLAN	QUANTITY TRACK	
			MAIN	OTHER
1	ROUND REFLECTORIZED RED TARGET	GTS-0705G	1	
	ROUND REFLECTORIZED YELLOW TARGET	GTS-0705H		1
2	SQUARE REFLECTORIZED GREEN TARGET	GTS-0705J	1	1
3	3/8" DAL-16 UNC HEX. HD. CAPSCREW X 1-3/4" LONG CAD. PL.	---	4	4
4	SPRING WASHER HELICAL FOR 3/8" CAPSCREW	---	4	4
5	3/8"-16 UNC HEX. NUT-CADMIUM PLATED	---	4	4

* NOTE: ITEM 6, TARGET BASE, IS NOT INCLUDED IN THE TARGET KIT AND MUST BE ORDERED SEPARATELY.

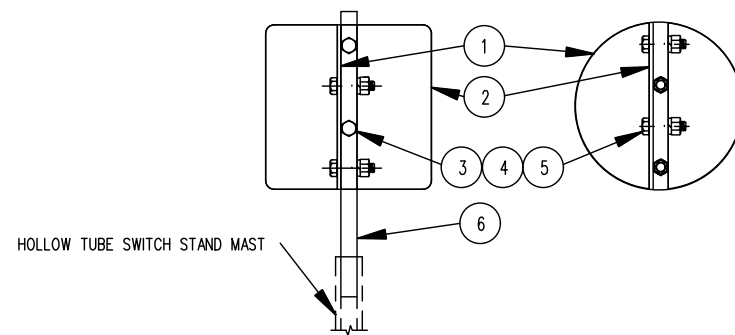
DETAIL "A"
TARGET TIP ASSEMBLY FOR FORGED SWITCH MASTS



NOTES:
MANUFACTURERS INITIALS TO BE SHOWN ON CASTING
CASTING TO BE PAINTED BLACK.

MATERIAL:
GRAY IRON CASTING - MADE IN ACCORDANCE
WITH AND MEET THE REQUIREMENTS OF,
THE LATEST REVISION OF STM SPEC. A48.

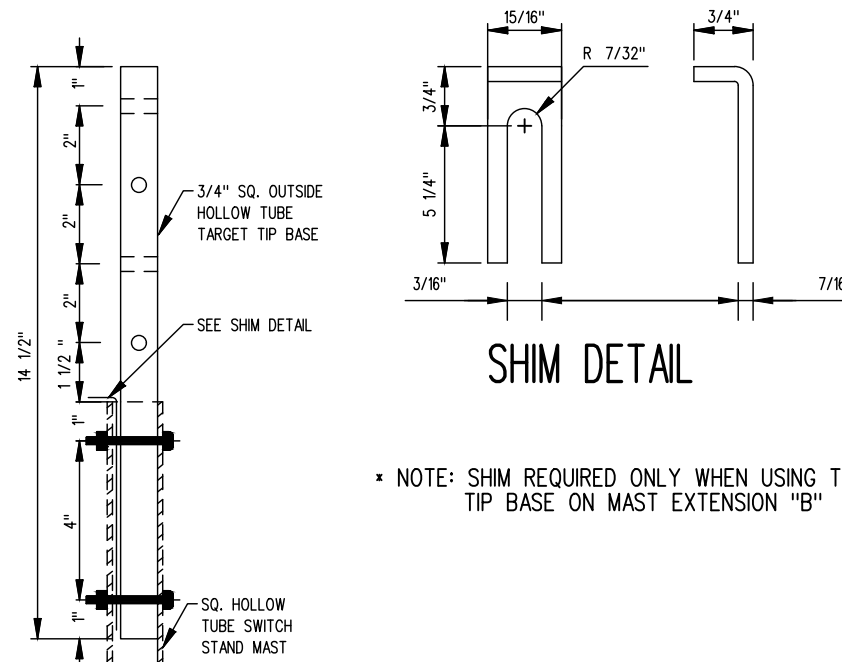
TARGET TIP BASE FOR FORGED MAST TIPS (ITEM 6)



ITEM NO.	DESCRIPTION	STANDARD PLAN	QUANTITY TRACK	
			MAIN	OTHER
1	ROUND REFLECTORIZED RED TARGET	GTS-0705G	1	
	ROUND REFLECTORIZED YELLOW TARGET	GTS-0705H		1
2	SQUARE REFLECTORIZED GREEN TARGET	GTS-0705J	1	1
3	3/8" DAL-16 UNC HEX. HD. CAPSCREW X 1-3/4" LONG CAD. PL.	---	4	4
4	SPRING WASHER HELICAL FOR 3/8" CAPSCREW	---	4	4
5	3/8"-16 UNC HEX. NUT-CADMIUM PLATED	---	4	4

* NOTE: ITEM 6, TARGET BASE, IS NOT INCLUDED IN THE TARGET KIT AND MUST BE ORDERED SEPARATELY.
* NOTE: WHEN INSTALLING TIP MAST ASSEMBLY ON MAST EXTENSIONS FOR "36 D" OR "1004" (ie. 7/8" SQ. SPINDLE), SHIM MUST BE ORDERED.

DETAIL "B"
TARGET TIP ASSEMBLY FOR HOLLOW TUBE SWITCH MASTS



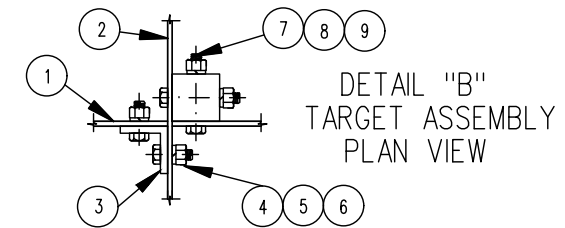
* NOTE: SHIM REQUIRED ONLY WHEN USING TARGET TIP BASE ON MAST EXTENSION "B"

SHIM DETAIL

HOLLOW TUBE TARGET TIP BASE INCLUDES:

DESCRIPTION	QUANTITY
3/8 DIA. -16 UNC RD. CAP SCREW 2-1/2 LG. C/W SQ. NUT	2
SPRING WASHER HELICAL FOR 3/8 CAP SCREW, PLATED	2
PLATE WASHER 7/16 I.D. x 1 O.D. x 5/64 THICK, PLATED	2

TARGET TIP BASE FOR HOLLOW TUBE MASTS (ITEM 6)



ITEM NO.	DESCRIPTION	STANDARD PLAN	QUANTITY	
			STANDARD PLAN	QUANTITY
1	GREEN REFLECTORIZED TARGET BLADE	GTS-0706		1
2	YELLOW REFLECTORIZED TARGET BLADE	GTS-0706		1
3	CLEAT-CADMIUM PLATED STEEL	GTS-0706		2
4	1/4"DIA.-20 UNC HEX HD. CAPSCREW X 3/4" LG.- CADMIUM PLATED	---		4
5	SPRING WASHER, HELICAL FOR 1/4" CAPSCREW- ZINC PLATED	---		4
6	1/4"-20 UNC HEX NUT- CADMIUM PLATED	---		4
7	3/8"-16 UNC HEX HD CAPSCREW X 1-3/4" LG- CADMIUM PLATED	---		3
8	SPRING WASHER, HELICAL FOR 3/8" CAPSCREW- ZINC PLATED	---		3
9	3/8"-16 UNC HEX. NUT-CADMIUM PLATED	---		3

DETAIL "C"
TARGET ASSEMBLY FOR AUTOMATIC SAFETY STAND (YARD SERVICE ONLY)

NOTES:

1. WHEN REQUISITIONING TARGETS, QUANTITY, STOCK NUMBER, PLAN NUMBER, AND CHARACTERS MUST BE INDICATED ON REQUISITION.
2. SWITCH STANDS AND TARGETS TO BE MOUNTED IN ACCORDANCE WITH STANDARD PRACTICE CIRCULAR NO. 3500 LATEST DATE.
3. THE VARIOUS TYPES OF SWITCH STAND CONNECTING RODS AND TYPICAL SWITCH STAND MOUNTINGS ARE SHOWN ON DRAWING NO. GTS-0702.

0	17/09/15	DWG VERSION ESTABLISHED	
No.	Date	Revision	By Approved
Standard		GENERAL ARRANGEMENT SWITCH STANDS NO. 17D, 22, 31B, 36D, 1003 & 1004	
Drawn	MG	Checked	GGS
		Approved	<i>[Signature]</i> VP Corridor Infrastructure
Date	SEPT 15/2017	Plan Number	GTS-0701
		Rev	0
REFERENCE: CN_TS-701_SH3_R5		Sheet 3 OF 4	