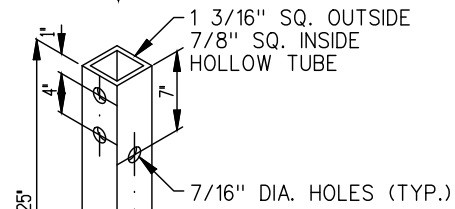
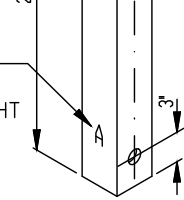


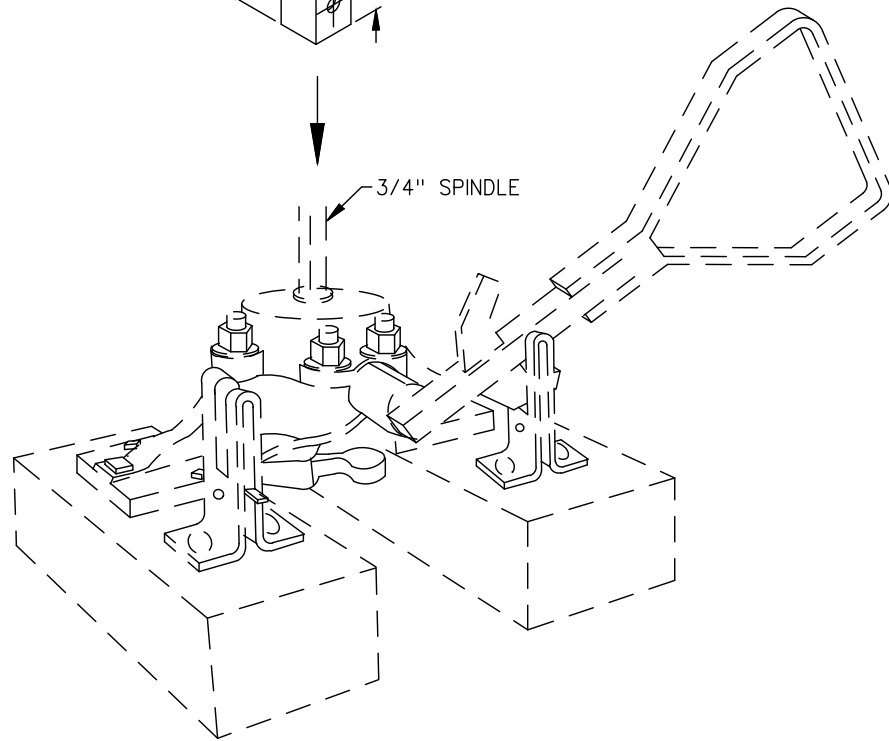
TARGET TIP BASE FOR HOLLOW TUBE MAST (GTS-0701 SHEET 2)



STAMP "A"  
-3/8" MINIMUM CHARACTER HEIGHT

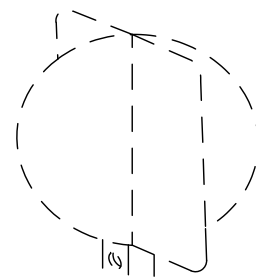


3/4" SPINDLE



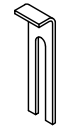
### MAST EXTENSION "A"

- FOR 36E STANDS USED ON MAIN TRACK.  
(IE. 3/4" SQ. SPINDLE)

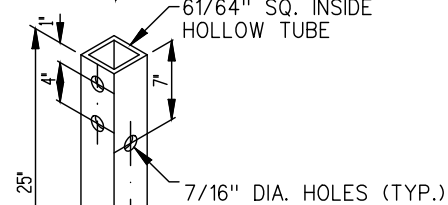


TARGET TIP BASE FOR HOLLOW TUBE MAST (GTS-0701 SHEET 2)

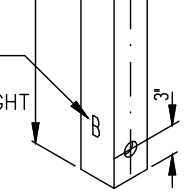
NOTE:  
SHIM  
REQUIRED ONLY WHEN  
TARGET TIP BASE IS  
TO BE INSTALLED



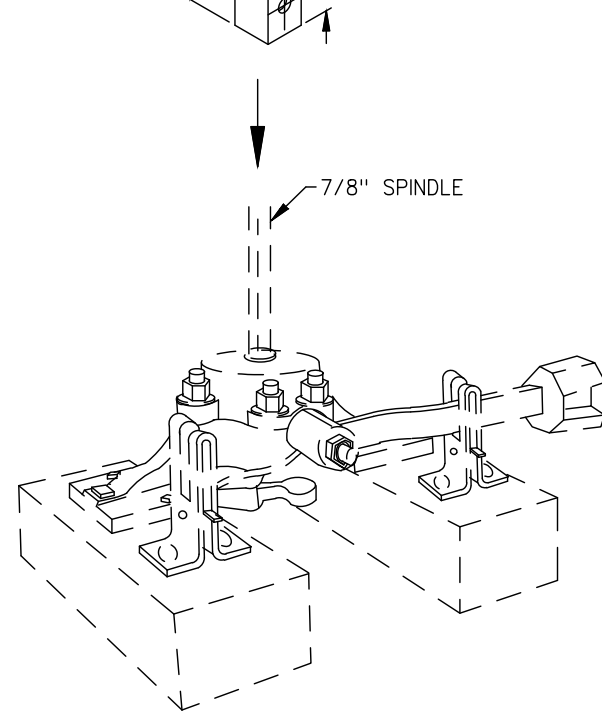
1 1/4" SQ. OUTSIDE  
61/64" SQ. INSIDE  
HOLLOW TUBE



STAMP "B"  
-3/8" MINIMUM CHARACTER HEIGHT



7/8" SPINDLE



### MAST EXTENSION "B"

- FOR 36D & 1004 STANDS USED ON MAIN TRACK.  
(IE. 7/8" SQ. SPINDLE)

#### NOTES:

1. MAST EXTENSION ASSEMBLIES ARE REQUIRED ON ALL LOW RIGID STANDS (36E, 36D, & 1004) WHEN USED IN MAIN TRACK (GTS-0701 SHEET 1). THE EXTENSIONS ALLOW FOR APPLICATION OF 18" HIGH RED REFLECTORIZED TARGET (GTS-0705 ITEM "D").
2. MAST EXTENSIONS ARE NOT REQUIRED ON LOW RIGID STANDS IN SIDING AND YARD APPLICATIONS (GTS-0701 SHEET 1).

#### NOTES:

1. SWITCH STANDS AND TARGETS TO BE MOUNTED IN ACCORDANCE WITH STANDARD PRACTICE CIRCULAR NO. 3500 LATEST DATE.
2. THE VARIOUS TYPES OF SWITCH STAND CONNECTING RODS AND TYPICAL SWITCH STAND MOUNTINGS ARE SHOWN ON DRAWING NO. GTS-0702.

0	17/09/15	DWG VERSION ESTABLISHED	
No.	Date	Revision	By Approved
Standard		GENERAL ARRANGEMENT MAST EXTENSION ASSEMBLIES NO. 36D, 36E AND 1004	
Drawn	MG	Checked	GGG Approved <i>VP</i> VP Corridor Infrastructure
Date	SEPT 15/2017	Plan Number	GTS-0701 Rev 0
REFERENCE: CN_TS-701_SH4_R3		Sheet 4 OF 4	