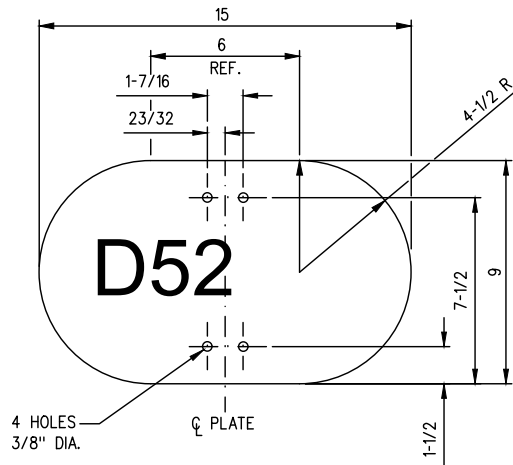


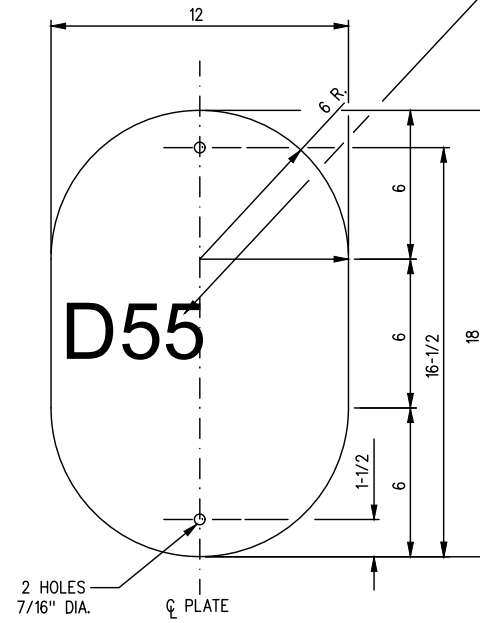
- ITEM
 A REFLECTORIZED RED - 3M DIAMOND GRADE
 B REFLECTORIZED YELLOW - ENGINEER GRADE

TARGETS FOR 17B, 31B & 36EH STANDS



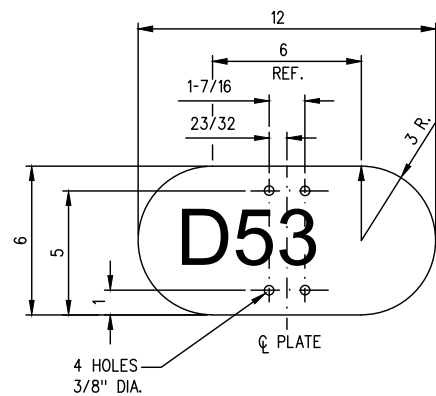
- ITEM PAINTED
 C YELLOW

TARGET FOR 20B STANDS



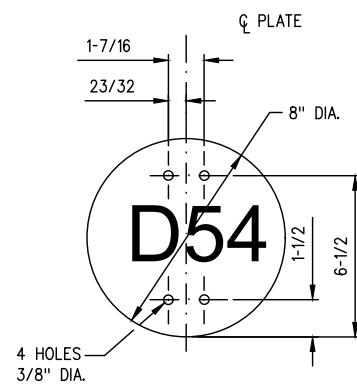
- ITEM
 D REFLECTORIZED RED - 3M DIAMOND GRADE

TARGETS FOR 36D, 36E & 1004 STANDS FOR MAIN TRACK USE



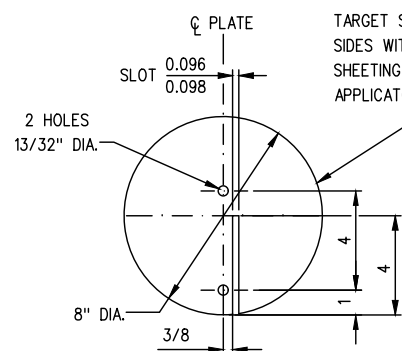
- ITEM REFLECTORIZED YELLOW
 E - ENGINEER GRADE

TARGETS FOR 36D, 36E & 1004 STANDS FOR YARD TRACK USE



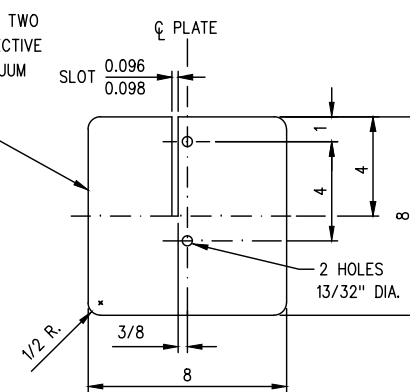
- ITEM REFLECTORIZED
 F YELLOW

TARGET FOR 16 (JACKSON) STANDS



- ITEM REFLECTORIZED
 G RED
 H YELLOW

ROUND TARGET FOR TIP ASSEMBLY



- ITEM REFLECTORIZED
 J GREEN
 K RED

SQUARE TARGET FOR TIP ASSEMBLY

- TYPICAL CHARACTER APPLICATION: (FOR TARGETS A TO G ONLY)
 - REQUISITION STATES EXACT CHARACTERS TO BE MANUALLY APPLIED TO TARGET PLATES.
 - CHARACTERS TO BE APPLIED IN THE GENERAL POSITION AS SHOWN ON PLATES, ONE SIDE ONLY
 - BLACK CHARACTERS ON YELLOW SIGN, WHITE ON RED SIGN.

MATERIAL:

- PLATE - ALCAN ROAD SIDE SHEET ALUMINUM S-67 (12 GA. 0.081 THICK).
 COATINGS - YELLOW LEVEL 1 REFLECTIVE SHEETING - ITEMS F & H
 - YELLOW LEVEL 2 ENGINEER GRADE REFLECTIVE SHEETING - ITEMS B & E
 - RED LEVEL 1 REFLECTIVE SHEETING
 - RED - DIAMOND GRADE REFLECTIVE SHEETING - ITEMS A & D
 - GREEN LEVEL 1 REFLECTIVE SHEETING
 PAINT - YELLOW CN NO. 10 SIGNAL ENAMEL.
 - PRIMER ACCORDING TO SPECIFICATION CN 470-6C.
 CHARACTERS - BLACK NO.3655 SCOTCHCAL FILM PRECUT 2" STANDARD MEDIUM LETTERS OR 1" STANDARD MEDIUM LETTERS WHERE MANY CHARACTERS TO BE APPLIED TO SMALL TARGET PLATES.
 - WHITE NO. 3650 SCOTCHCAL FILM (SIMILAR SIZES AS ABOVE)

NOTES:

STEEL TARGET PLATES RETURNED FOR REFINISHING SHOULD BE STRAIGHTENED, SANDED, WIRE BRUSHED OR SAND BLASTED TO REMOVE DAMAGED PAINT OR RUST. ALL PAINTED TARGET PLATES TO HAVE ONE COAT OF SPECIFIED PRIMER AND TWO COATS OF SPECIFIED FINISH PAINT. FOR FINAL ASSEMBLY OF TARGETS SEE DRAWING GTS-0701. WHEN REFERRING TO TARGETS, DRAWING NUMBER MUST BE STATED AS A, B, C, ETC. TO INDICATE SPECIFIC TARGET REQUIRED.

SPECIFICATION:

REFLECTIVE SHEETING MUST CONFORM TO THE LATEST ISSUE OF CANADIAN GOVERNMENT SPECIFICATION 62-GP-11 FOR TYPE 1, CLASS 2, REFLECTIVITY LEVEL 1 AND LEVEL 2 MATERIAL.

THIS DRAWING SUPERSEDES DRAWING DATED 23 DECEMBER 1971 REV. 22 OCT.'90

0	17/09/15	DWG VERSION ESTABLISHED	
No.	Date	Revision	By Approved

Standard / **PAINTED AND REFLECTORIZED TARGET PLATES FOR 31B, 17B, 20B, 36D, 36E, 36EH, 1004 & 16 SWITCH STANDS**

Drawn GWM Checked GWM Approved *VP* VP Corridor Infrastructure



Date SEPT 15/2017 Plan Number GTS-0705 Rev 0

REFERENCE: TS-0705_SH1_R7 Sheet 1 OF 2

FOR ADDITIONAL INFORMATION E-MAIL "TRACKSTD"

	SCOTCHLITE
RED	2872
RED - DIAMOND GRADE	3972
YELLOW	2871
YELLOW - ENGINEER GRADE	3271
WHITE	2870
GREEN	2877