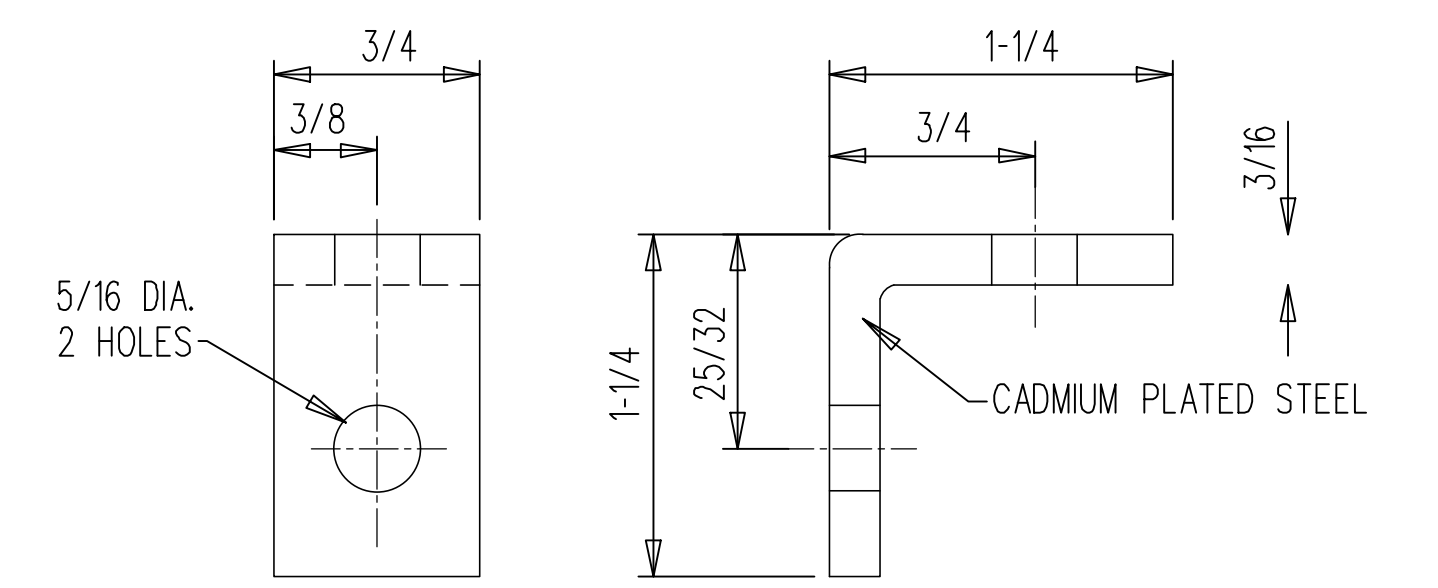


POSITIONING OF CHARACTERS



DETAIL OF MOUNTING CLEAT

STOCK NO. 01-29-186

MATERIALS:

- BLADES - ALCAN ROAD SIDE SHEET ALUMINIUM *S-67 (*12 GA. 0.081" THICK)
- COATING - YELLOW LEVEL 1 REFLECTIVE SHEETING
- GREEN LEVEL 1 REFLECTIVE SHEETING
- CHARACTERS - MOUNTED ON YELLOW BLADE-BLACK NO.3655 "SCOTCHCAL" FILM 1-3/4" WIDE AND 3" HIGH
- MOUNTED ON GREEN BLADE-WHITE NO.3650 "SCOTCHCAL" FILM 1-3/4" WIDE AND 3" HIGH OR SIZE AS SPECIFIED ON REQUISITION.
- CLEATS - 3/16" THICK STEEL - SPECIFICATION 150-1 CLASS C (CADMIUM PLATED)

CHARACTER APPLICATION:

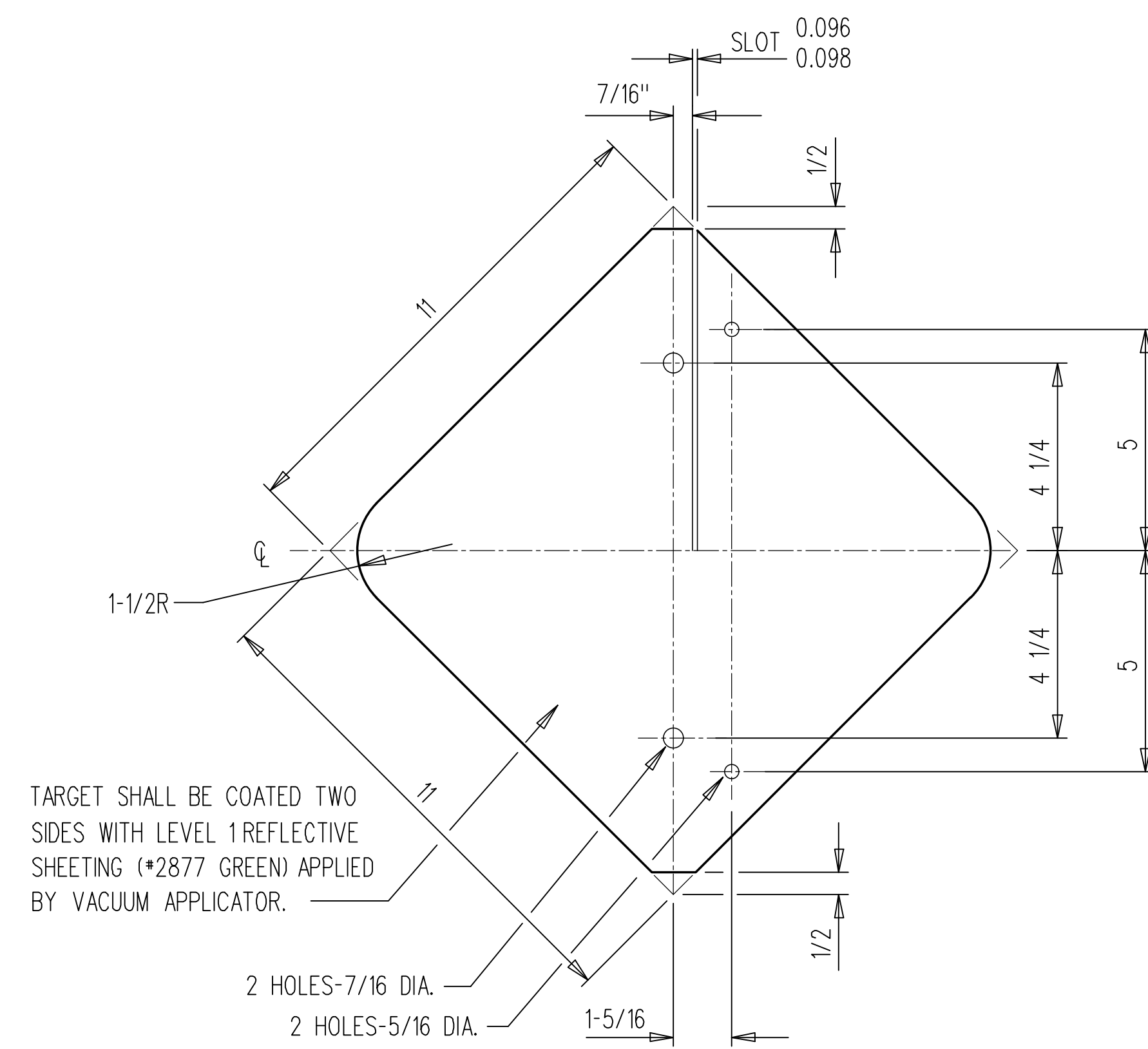
- REQUISITION STATES EXACT CHARACTERS TO BE MANUALLY APPLIED TO YELLOW TARGET. USING 3" SCOTCHCAL BLACK CHARACTERS-STRIP PROTECTIVE BACKING-ALIGN CHARACTERS IN PLACE AS SHOWN-PRESS FIRMLY TO SURFACE -RUB VIGOROUSLY TO OBTAIN PROPER ADHESIVE. AFTER EACH CHARACTER IS IN POSITION, REMOVE PROTECTIVE FRONT TISSUE. THE SAME TO BE DONE TO REVERSE SIDE OF TARGET.
- IN CERTAIN YARDS, SPECIAL MARKINGS ARE REQUIRED ON GREEN TARGETS, IF SO, THESE CHARACTERS MUST BE WHITE. IF A SPECIAL STYLE IS REQUIRED, THE SHAPE AND STYLE MUST BE DESCRIBED ON REQUISITION.

NOTES:

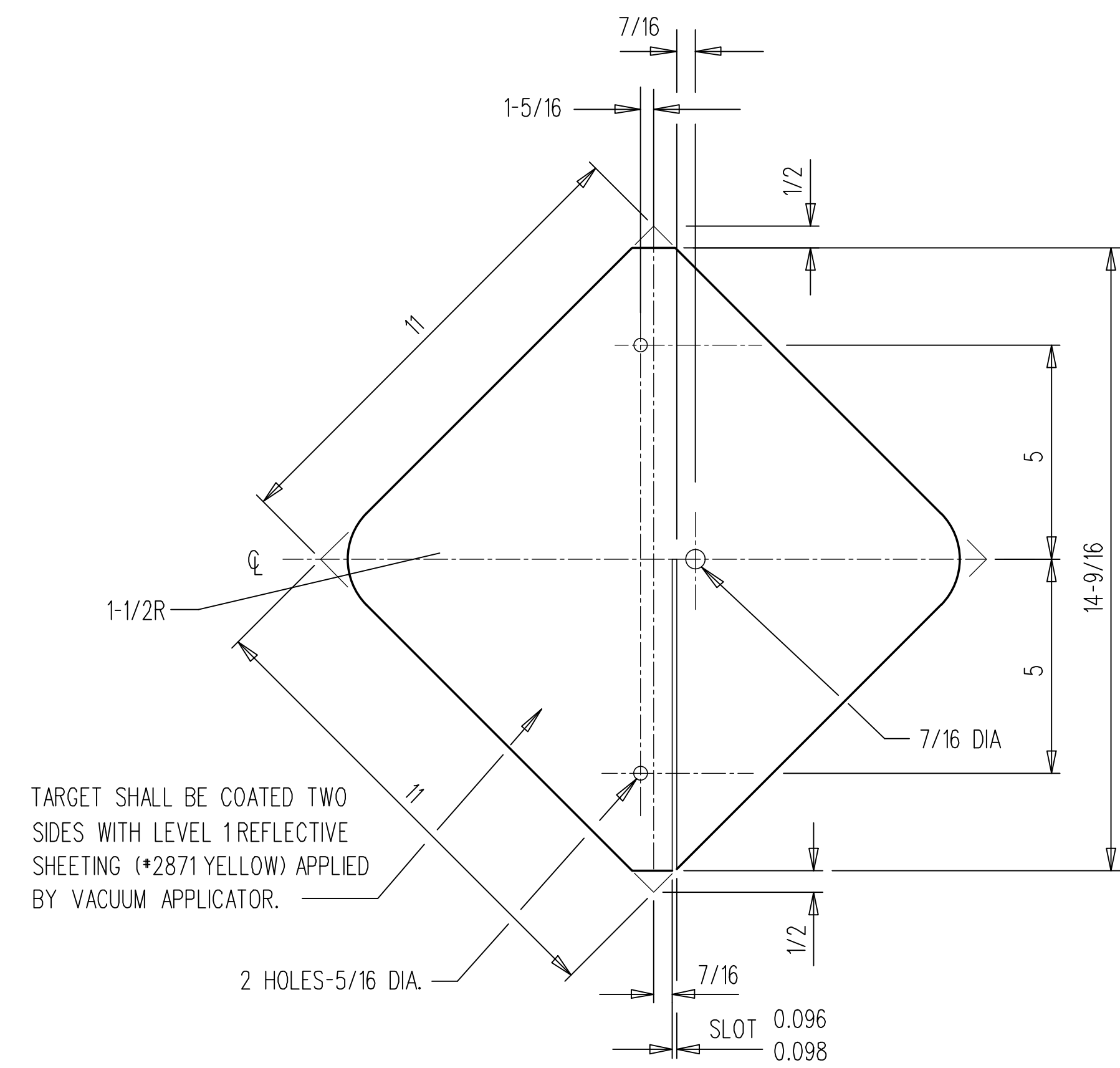
- FOR FINAL ASSEMBLY OF SWITCH TARGETS AND CLEATS, SEE DRAWING TS-701.
- ALL DIMENSION ARE IN INCHES.

SPECIFICATION:

REFLECTIVE SHEETING MUST CONFORM TO THE LATEST ISSUE OF CANADIAN GOVERNMENT SPECIFICATION 62-CP-11 FOR TYPE 1, CLASS 2, REFLECTIVITY LEVEL 1 & LEVEL 2 MATERIAL.



DETAIL OF GREEN TARGET BLADE



DETAIL OF YELLOW TARGET BLADE

NOTE:
CONVERSION FACTOR: 1 INCH=25.4mm, 1 FOOT=304.8mm

0	17/12/15	REVISED PDF VERSION ESTABLISHED	
No.	Date	Revision	By Approved
Standard		REFLECTORIZED TARGET BLADES FOR TRAILABLE YARD STANDS	
Drawn	MG	Checked	GGG
		Approved	<i>[Signature]</i> VP Corridor Infrastructure
Date	DEC 15, 2017	Plan Number	GTS-0706
REFERENCE: TS-706		Rev	0
		Sheet 1 OF 1	



METROLINX