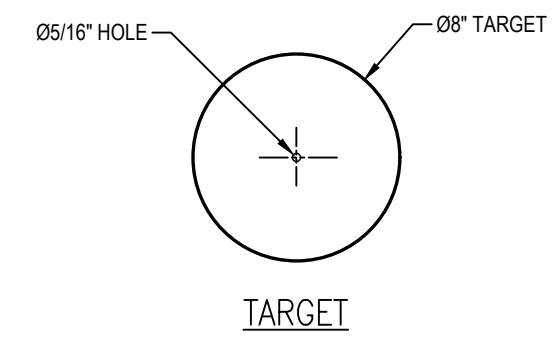
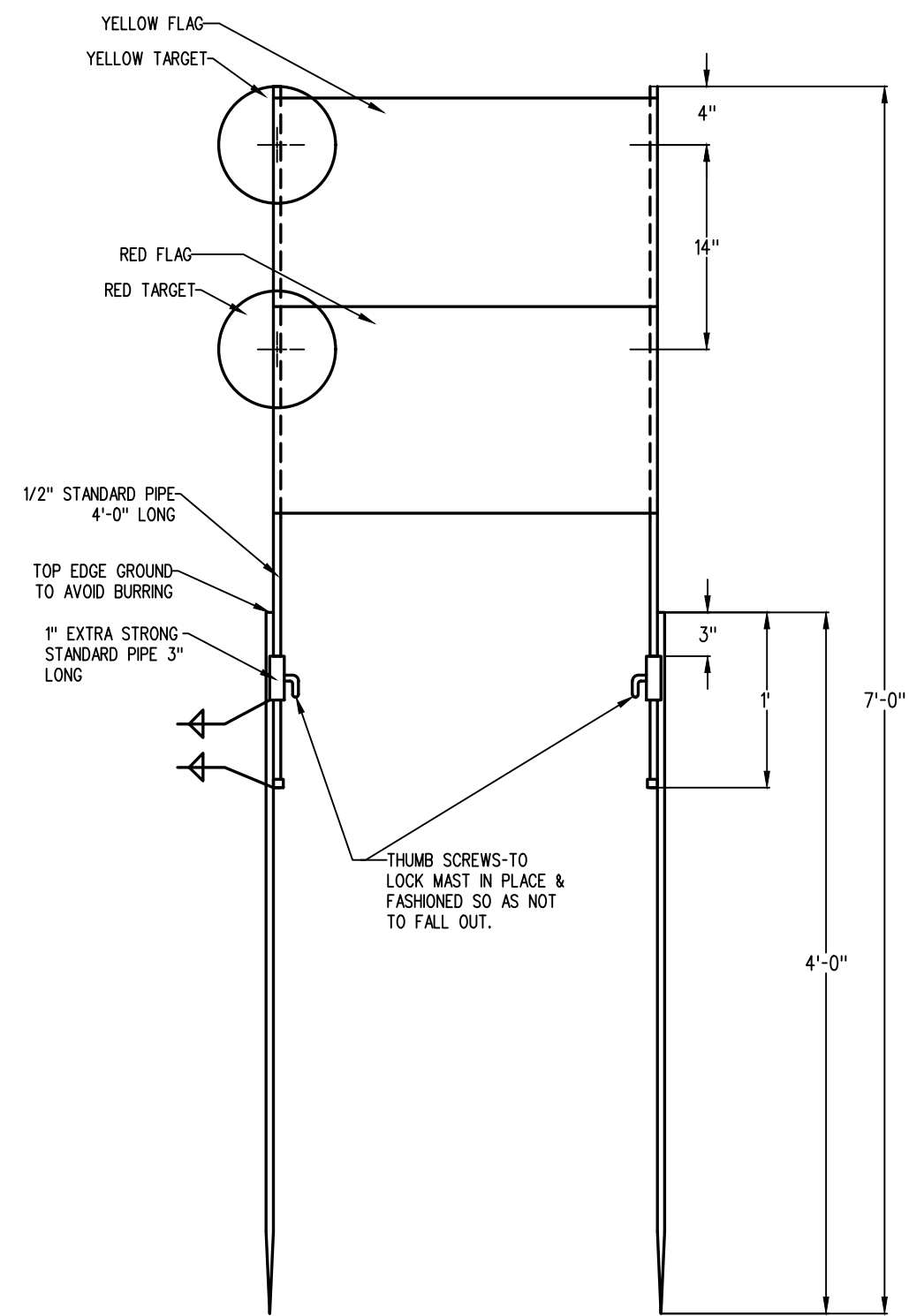


1/4"X1-1/2" MACHINE BOLTS WITH PLAIN WASHER & SPRING LOCK WASHER- 2 REQ. PER ASSEMBLY.

5/16" DIA. DRILL 4 HOLES

STAKE- 5/8" DIA. ROUND STEEL BAR GROUND TO A MINIMUM THICKNESS OF 1/16" AT THE POINT.



NOTES:

1. TARGET SHALL BE COATED ONE SIDE WITH LEVEL 1 REFLECTIVE SHEETING APPLIED BY VACUUM APPLICATOR.
2. FOR DETAILS OF 1" PIPE & THUMB SCREWS SEE SOJ- 1.3.
3. FRO DETAILS ON MAINTENANCE OF WAY FLAGS SEE SOJ- 1.2.

MATERIAL

PLATE: ALCAN ROAD SIDE SHEET ALUMINUM S-67 (12GA-0.081)
LEVEL 1 REFLECTIVE SHEETING RM 62-GP-1 1M LEVEL 1.

THIS DRAWING SUPERSEDES DRAWING DATED MAY'80 REVISED MAY'89

METRIC CONVERSION: 1 inch=25.4mm, 1 foot=304.8mm

No.	Date	Revision	By Approved
1	18/07/27	ADDED IMPERIAL TO METRIC CONVERSION NOTE	

Standard / **ASSEMBLY OF MAINTENANCE - OF - WAY
FLAGS & REFLECTORIZED TARGETS**

Drawn MG Checked GGS Approved *[Signature]*
VP Engineering & Asset Management



METROLINX

Date DEC 15, 2017 Plan Number GTS-0729 Rev 1

REFERENCE: TS-729 Sheet 1 OF 1