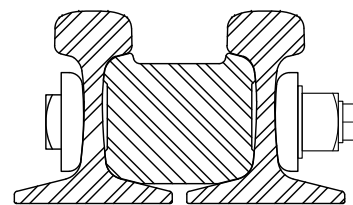


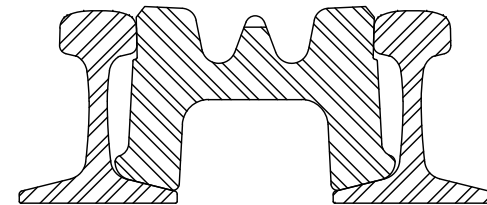
FROG USE	TOE LENGTH	HEEL LENGTH	OVERALL LENGTH	TOE SPREAD	HEEL SPREAD
TURNOUT	13'-8"	20'-4"	34'-0"	9 ³ / ₄ "	15 ³ / ₄ "
MAINTENANCE	17'-4"	22'-2"	39'-6"	12 ¹ / ₂ "	17 ¹ / ₈ "

NOTES:

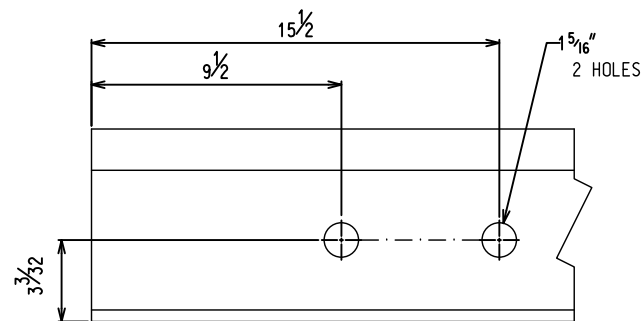
1. RUNNING SURFACES OF INSERT TO BE EXPLOSIVE DEPTH HARDENED AS PER GO SPEC. 12-9 (LATEST REVISION).
2. FROGS ARE TO BE MANUFACTURED IN ACCORDANCE WITH ALL REQUIREMENTS OF GO SPEC. 12-9 (LATEST REVISION).
3. FROG TO BE MANUFACTURED WITHIN TOLERANCES SPECIFIED ON GO TOLERANCE PLAN GO-21.
4. FROG TO BE MADE TO AREMA STANDARD PLAN 623 EXCEPT AS SPECIFIED ON THIS STANDARD.
5. SEE GTS-0899 FOR FROG HEAVY POINT DETAILS.



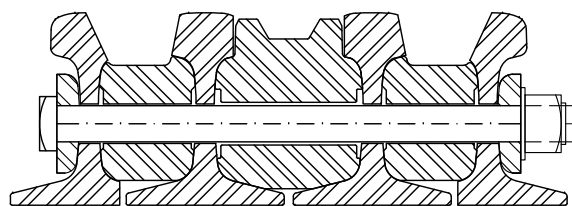
SECTION A-A



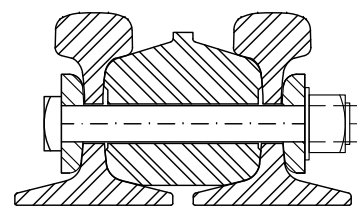
SECTION B-B



**TYPICAL END DRILLING DETAILS
(TURNOUT LENGTH FROGS ONLY)**



SECTION C-C



SECTION D-D

METRIC CONVERSION: 1 inch=25.4mm, 1 foot=304.8mm

No.	Date	Revision	By Approved
1	18/07/27	ADDED IMPERIAL TO METRIC CONVERSION NOTE	

Standard / **ASSEMBLY
NO. 16 LOW IMPACT HEEL RBM FROG
136 LB. RE RAIL**

Drawn DPK Checked YJS Approved VP Engineering & Asset Management



Date SEPT 15/2017 Plan Number GTS-0888 Rev 1