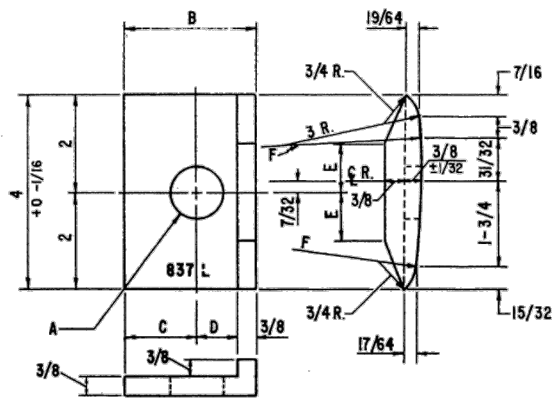
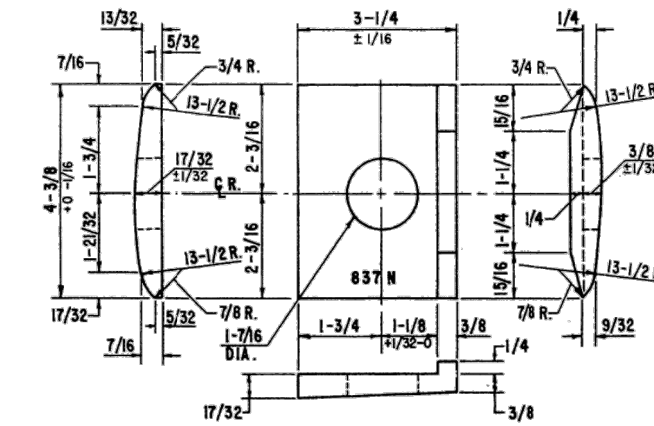


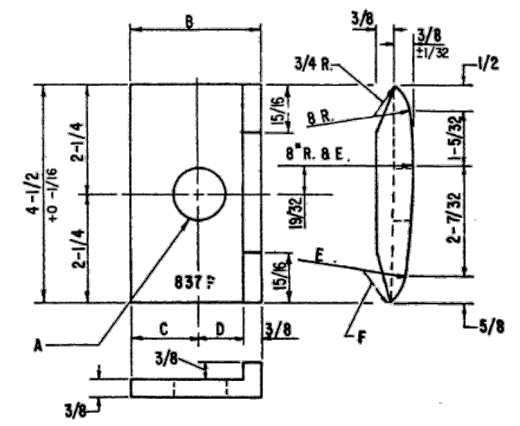
ITEM	STOCK NUMBERS		A DIA.	B ±1/32	C RADIUS	WT. LBS.
	NEW	PARTLY WORN				
837 A			1-1/2	17/32	14	2.09
837 C			1-1/2	11/16	14	2.38
837 E			1-1/2	25/32	14	2.56



ITEM	STOCK NUMBERS		A DIA.	B ±1/16	C	D +1/32-0	E	F RADIUS	WT. LBS.
	NEW	PARTLY WORN							
837 L			1-7/16	3-1/4	1-3/4	1-1/8	1-1/4	14	1.10
837 M			1-1/16	2-11/16	1-1/2	13/16	1	14	0.97

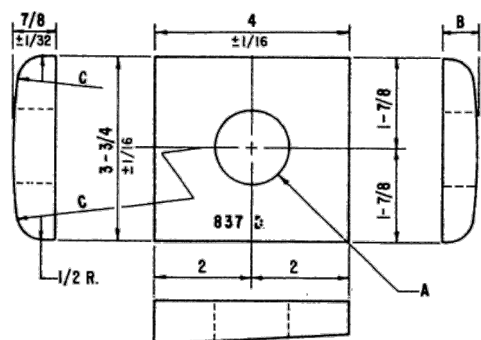


ITEM	STOCK NUMBERS:	WEIGHT
837 N		1.41 LBS.



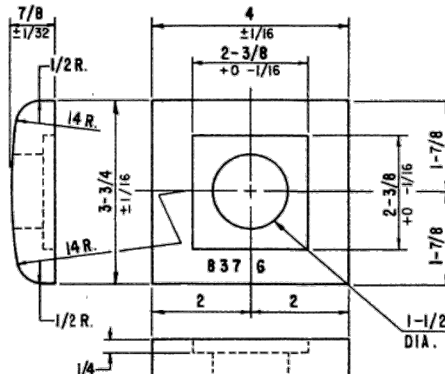
ITEM	STOCK NUMBERS		A DIA.	B ±1/16"	C +0-1/16"	D RAD.	E RAD.	F RAD.	WT. LBS.
	NEW	PARTLY WORN							
837 P			1-1/16	2-11/16	1-13/32	29/32	16"	7/8"	1.06 LBS
837 R			1-7/16	2-7/8	1-3/8	1-1/8	16"	7/8"	1.07 LBS
837 Q			1-3/16	2-11/16	1-13/32	29/32	20"	3/4"	

HEAD WASHER-BEVELLED

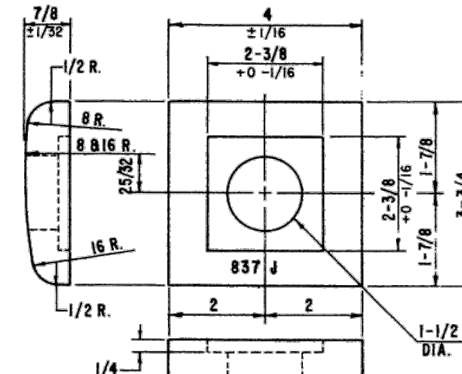


ITEM	STOCK NUMBERS		A DIA.	B ±1/32	C RADIUS	WT. LBS.
	NEW	PARTLY WORN				
837 B			1-1/2	17/32	14	2.36
837 D			1-1/2	11/16	14	2.66
837 F			1-1/2	25/32	14	2.83

HEAD LOCK WASHER

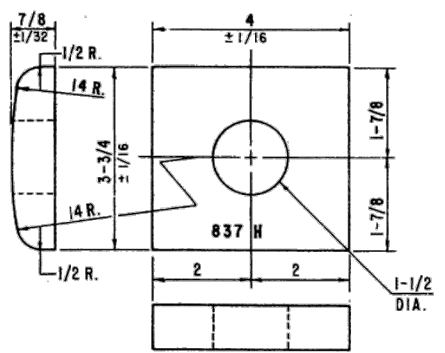


ITEM	STOCK NUMBERS:	WEIGHT
837 G		2.73 LBS.

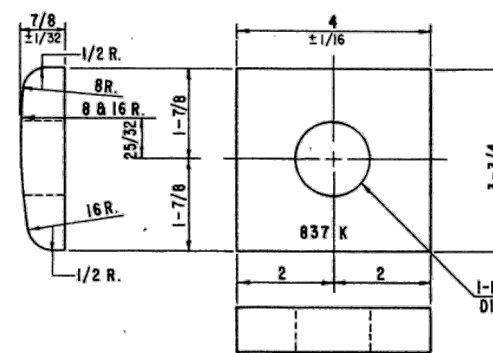


ITEM	STOCK NUMBERS:	WEIGHT
837 J		2.68 LBS.

HEAD WASHER - NOT BEVELLED

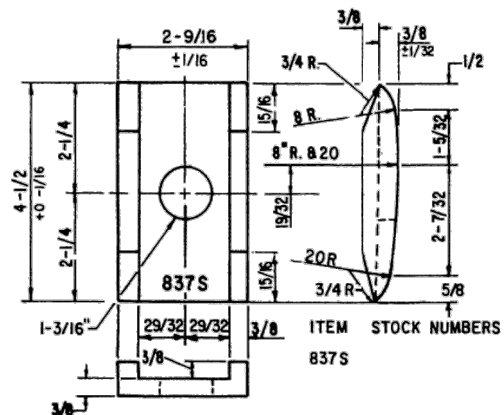


ITEM	STOCK NUMBERS:	WEIGHT
837 H		3.01 LBS.



ITEM	STOCK NUMBERS:	WEIGHT
837 K		2.95 LBS.

TAIL WASHER-BEVELLED



DOUBLE HEAD LOCK WASHER

HEAD LOCK WASHER

- NOTES:**
- ALL DIMENSIONS ARE IN INCHES.
 - WHEN REFERRING TO WASHERS, DRAWING NUMBER MUST BE STATED AS A,B,C,ETC... TO INDICATE SPECIFIC WASHER REQUIRED.
 - IDENTIFICATION CHARACTERISTICS, 1/4" HIGH MINIMUM - RAISED 1/32", TO BE CLEARLY CAST ON EACH WASHER AS SHOWN.

- MATERIAL:**
- WASHERS TO BE OF MALLEABLE IRON TO THE LATEST REVISION OF A.S.T.M. SPECIFICATION A47-68, GRADE 32510 OR DUCTILE IRON TO THE LATEST REVISION OF A.S.T.M. SPECIFICATION A536-70, GRADE 60-45-10.

METRIC CONVERSION: 1 inch=25.4mm, 1 foot=304.8mm

No.	18/07/27	ADDED IMPERIAL TO METRIC CONVERSION NOTE	By Approved
Standard		HEAD & TAIL WASHERS	
		FOR 115 - 136 LB. FROGS & GUARD RAILS	
Drawn	MG	Checked GGS	Approved <i>[Signature]</i> VP Engineering & Asset Management



METROLINX

Date	DEC 15, 2017	Plan Number	GTS-0837	Rev	1
REFERENCE:	TS-837 A/S				Sheet 1 OF 1