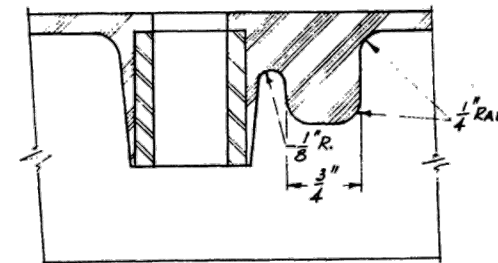
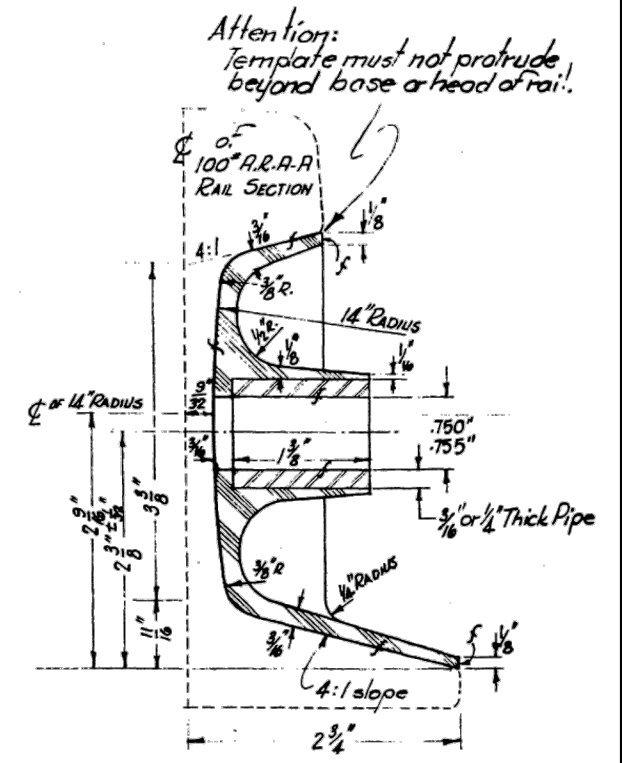


SIDE VIEW OF TEMPLATE
SCALE - FULL SIZE
Material: Reinforced Fiberglass Plastic
General Purpose Polyester Resin



Rib Detail
SECTION B-B
SCALE - FULL SIZE



SECTION A-A
SCALE - FULL SIZE

General Notes:
f - indicates finished surfaces
Inside thickness dimensions are minimum required.
Template to be finished in green colour
For detail of centre punch detail see dwg no GTS-1104

METRIC CONVERSION: 1 inch=25.4mm, 1 foot=304.8mm

No.	Date	Revision	By Approved
1	18/07/27	ADDED IMPERIAL TO METRIC CONVERSION NOTE	

Standard / DRILLING TEMPLATE
FOR
100* A. R. A. - A. RAIL

Drawn MG Checked GGS Approved *WLL*
VP Engineering & Asset Management



METROLINX

Date DEC 15, 2017 Plan Number GTS-1101 Rev 1

REFERENCE: TS-1101 Sheet 1 OF 1