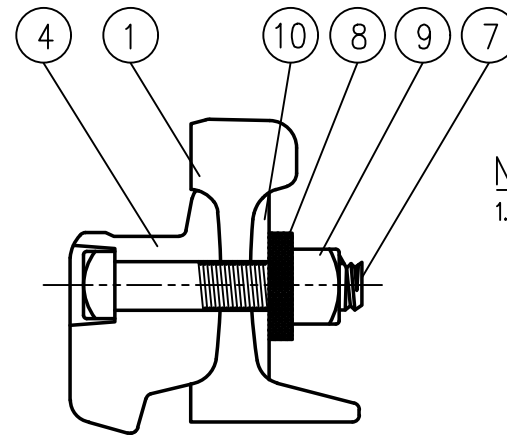
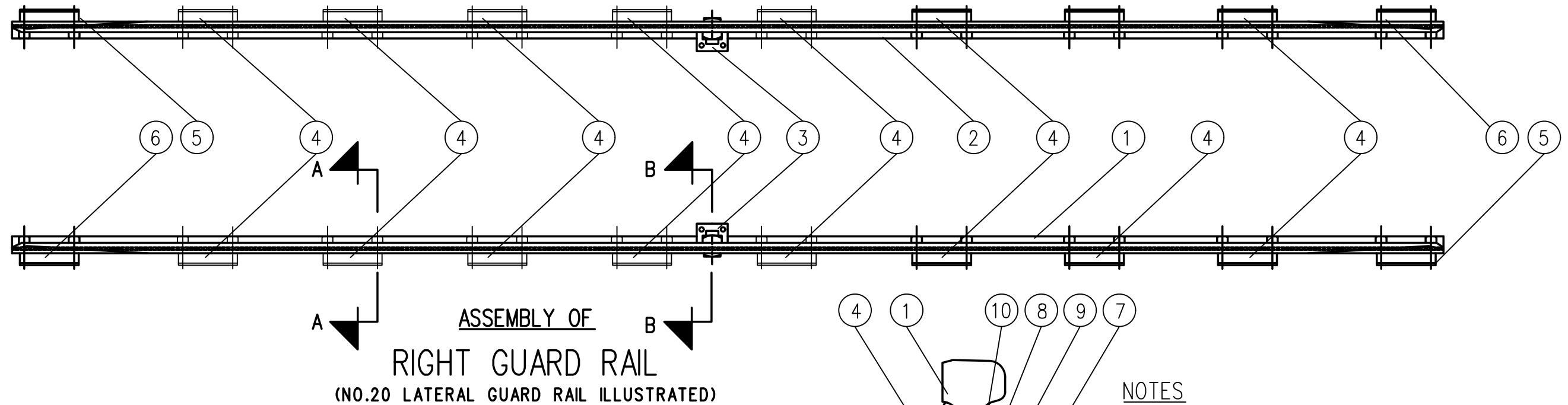
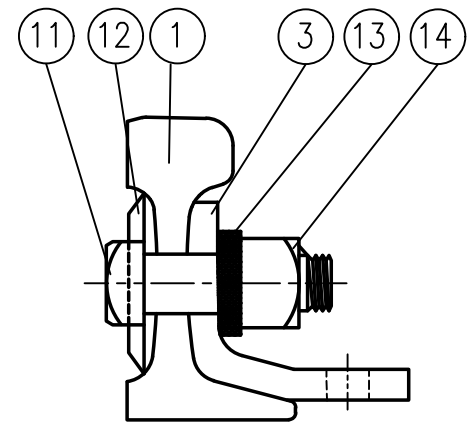


**ASSEMBLY OF
LEFT GUARD RAIL
(NO.20 LATERAL GUARD RAIL ILLUSTRATED)**



SECTION A-A



SECTION B-B

NOTES

1. WHEN REFERRING TO GUARD RAILS, PLAN AND TURNOUT NUMBER MUST BE STATED TO INDICATE SPECIFIC GUARD RAIL REQUIRED.
- A- *10 RIGHT SIDE G.R. ASSEMBLY
- B- *10 LEFT SIDE G.R. ASSEMBLY
- C- *12 RIGHT SIDE G.R. ASSEMBLY
- D- *12 LEFT SIDE G.R. ASSEMBLY
- E- *16 RIGHT SIDE G.R. ASSEMBLY
- F- *16 LEFT SIDE G.R. ASSEMBLY
- G- *20 RIGHT SIDE G.R. ASSEMBLY (LAT.)
- H- *20 LEFT SIDE G.R. ASSEMBLY (LAT.)
- I- *8 RIGHT SIDE G.R. ASSEMBLY
- J- *8 LEFT SIDE G.R. ASSEMBLY
2. FOR MACHINE DRAWING OF GUARD RAILS SEE GTS-1115.
3. x DENOTES THIS ASSEMBLY CAN ALSO BE USED ON THE LEFT SIDE OF EQUILATERAL TURNOUTS. (FOR RIGHT HAND TURNOUTS SEE GTS-1116)

BILL OF MATERIAL FOR RIGHT HAND GUARD RAIL ASSEMBLIES			QUANTITIES FOR TURNOUTS									
ITEM	DESCRIPTION	STANDARD PLAN NO.	*10		*12		*16		*20 (LAT.)		*8	
			A	B	C	D	E	F	xG	H	I	J
1	GUARD RAIL (RIGHT SIDE)	GTS-1115	1									
	GUARD RAIL (RIGHT SIDE)	GTS-1115			1							
	GUARD RAIL (RIGHT SIDE)	GTS-1115					1					
	GUARD RAIL (RIGHT SIDE)	GTS-1115							1			
	GUARD RAIL (RIGHT SIDE)	GTS-1115									1	
2	GUARD RAIL (LEFT SIDE)	GTS-1115		1								
	GUARD RAIL (LEFT SIDE)	GTS-1115				1						
	GUARD RAIL (LEFT SIDE)	GTS-1115						1				
	GUARD RAIL (LEFT SIDE)	GTS-1115								1		
	GUARD RAIL (LEFT SIDE)	GTS-1115										1
3	PLATE CLIP	GTS-1336	1	1	1	1	1	1	1	1	1	1
4	GUARD RAIL FILLER BLOCK	GTS-850A	4	4	4	4	6	6	8	8	4	4
5	GUARD RAIL FILLER BLOCK	GTS-850B	1	1	1	1	1	1	1	1	1	1
6	GUARD RAIL FILLER BLOCK	GTS-850C	1	1	1	1	1	1	1	1	1	1
7	1-1/8 DIA. -7UNC.SQ.HD.BOLT X 6" LONG	GTS-1309/32	12	12	12	12	16	16	20	20	12	12
8	SPRING WASHER FOR 1-1/8 DIA. BOLT	GTS-1301	12	12	12	12	16	16	20	20	12	12
9	SEC. RAILOC LOCKNUT FOR 1-1/8 DIA.BOLT	GTS-1302	12	12	12	12	16	16	20	20	12	12
10	TAILWASHER FOR 1-1/8 DIA.BOLT	FS-157	12	12	12	12	16	16	20	20	12	12
11	1-3/8 DIA. -6UNC.SQ.HD.BOLT X 4-1/2 LONG	GTS-1309/94	1	1	1	1	1	1	1	1	1	1
12	HEADLOCK WASHER FOR 1-3/8 DIA. BOLT	GTS-837/R	1	1	1	1	1	1	1	1	1	1
13	SPRING WASHER FOR 1-3/8 DIA. BOLT	GTS-1301	1	1	1	1	1	1	1	1	1	1
14	LOCKNUT FOR 1-3/8 DIA.BOLT	GTS-1302	1	1	1	1	1	1	1	1	1	1

METRIC CONVERSION: 1 inch=25.4mm, 1 foot=304.8mm

1	18/07/27	ADDED IMPERIAL TO METRIC CONVERSION NOTE	
No.	Date	Revision	By Approved
Standard/		ASSEMBLY GUARD RAILS-LEFT HAND TURNOUTS FOR 136LB. R.E. RAILS	
Drawn	MG	Checked	GGG
Approved			<i>[Signature]</i> VP Engineering & Asset Management
Date	DEC 15, 2017	Plan Number	GTS-1117
Rev	1		
REFERENCE: TS-1117 A/J		Sheet 1 OF 1	