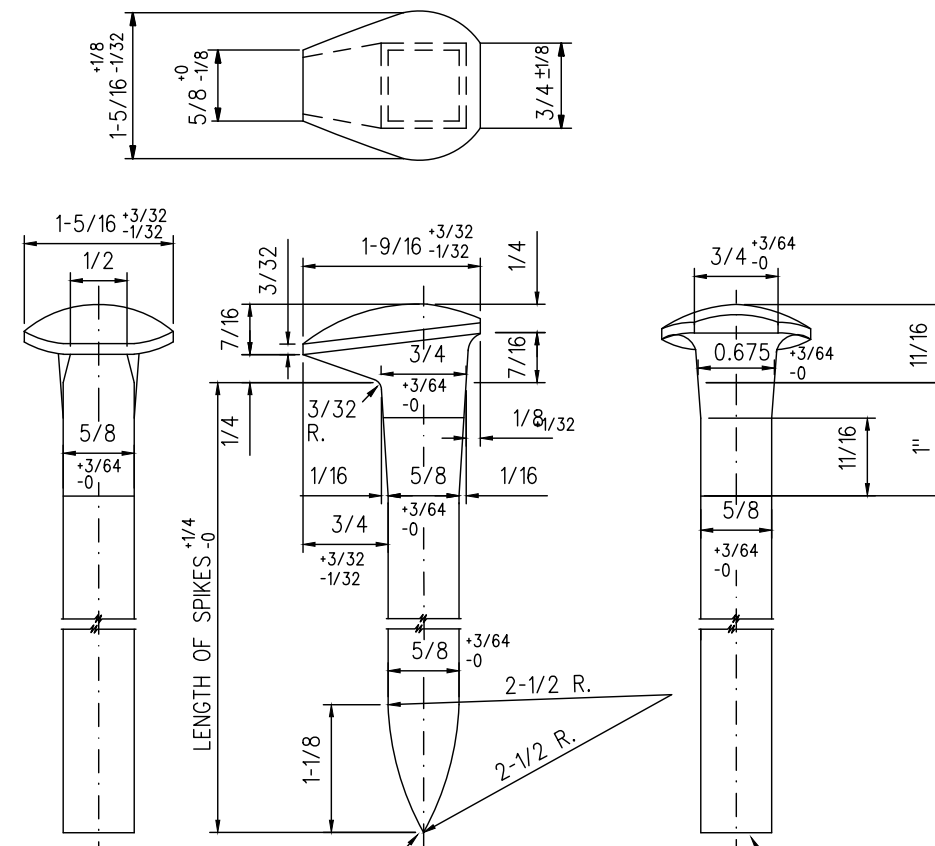


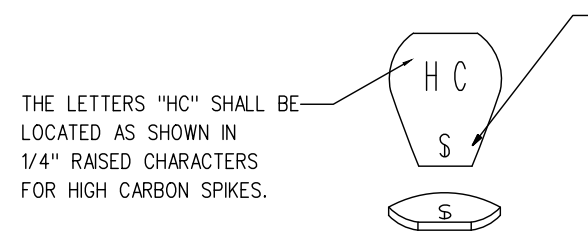
AREMA TRACK AND SHIMMING SPIKES



TRACK SPIKE - CANADIAN REINFORCED THROAT

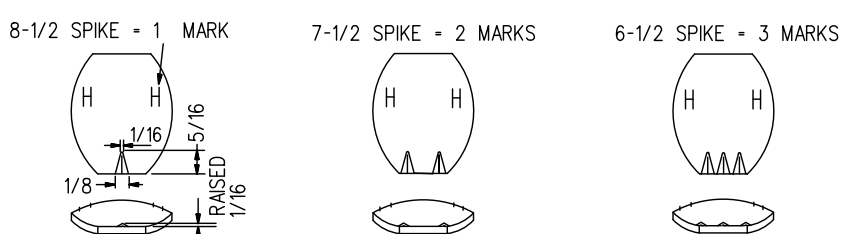
ALL SPIKES MUST BE POINTED TO A CUTTING EDGE, FREE FROM FINNS, AND SHALL BE GROUND IF NECESSARY.

ITEM	LENGTH	WEIGHT	
		LBS.	KG.
TRACK SPIKE - AREMA	6	0.82	0.37
SHIMMING SPIKE	6-1/2	0.87	0.40
SHIMMING SPIKE	7-1/2	0.98	0.45
SHIMMING SPIKE	8-1/2	1.09	0.50
TRACK SPIKE - CANADIAN	6	0.82	0.37



- THE MANUFACTURER'S IDENTIFICATION LETTER MUST APPEAR CLEARLY ON ALL SPIKES IN POSITION SHOWN. LETTERS TO BE 1/4 HIGH AND RAISED 1/32.
- C - DOMINION STEEL & COAL CORP. LTD.
  - E - PREMIER STEEL PRODUCTS LTD.
  - H - STEEL COMPANY OF CANADA LTD.
  - V - PACIFIC BOLT MAN-WESTERN CAN. STEEL.
  - N - NORTRAK LTD.
  - S - AMERISTEEL RAIL PRODUCTS (LANCASTER, S.C., U.S.A.)
  - P - PORTEC RAIL PRODUCTS LTD.

IDENTIFICATION MARKINGS FOR TRACK SPIKES



IDENTIFICATION MARKINGS FOR SHIMMING SPIKES

- NOTES
- ALL SPIKES TO BE MANUFACTURED IN ACCORDANCE WITH SPECIFICATION 12-6 LATEST REVISION.
  - ALL DIMENSIONS ARE IN INCHES UNLESS OTHERWISE NOTED.

METRIC CONVERSION: 1 inch=25.4mm, 1 foot=304.8mm

No.	Date	Revision	By Approved
1	18/07/27	ADDED IMPERIAL TO METRIC CONVERSION NOTE	

Standard / **TRACK AND SHIMMING SPIKES FOR STANDARD GAUGE**

Drawn MR. C Checked GWM Approved VP Engineering & Asset Management



Date SEPT 15/2017 Plan Number GTS-1325 Rev 1