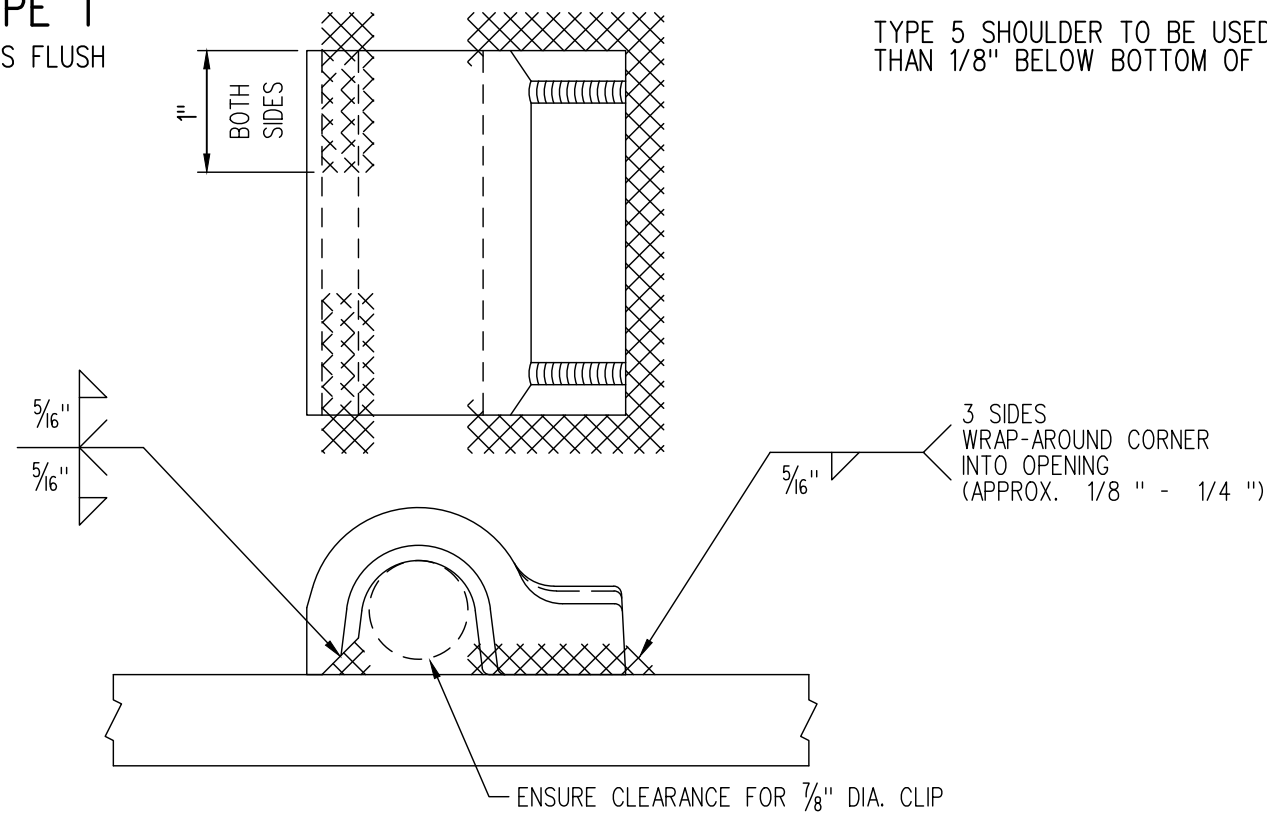


PANDROL FORGED SHOULDER, TYPE 1

TYPE 1 SHOULDER TO BE USED WHEN BASE OF RAIL IS FLUSH WITH OR UP TO 1/8" BELOW BOTTOM OF SHOULDER.

PANDROL FORGED SHOULDER, TYPE 5

TYPE 5 SHOULDER TO BE USED WHEN BASE OF RAIL IS MORE THAN 1/8" BELOW BOTTOM OF SHOULDER.



FORGED SHOULDER WELDING DETAIL

NOTES:

1. ALL DIMENSIONS ARE IN INCHES.
2. UNLESS OTHERWISE SPECIFIED ALL TOLERANCES TO BE $\pm 1/32$.

METRIC CONVERSION: 1 inch=25.4mm, 1 foot=304.8mm

No.	Date	Revision	By	Approved
1	18/07/27	ADDED IMPERIAL TO METRIC CONVERSION NOTE		

Standard / **PANDROL CLIP FORGED SHOULDER**

Drawn KJM Checked DL Approved *[Signature]* VP Engineering & Asset Management



Date SEPT 15/2017 Plan Number GTS-1329 Rev 1