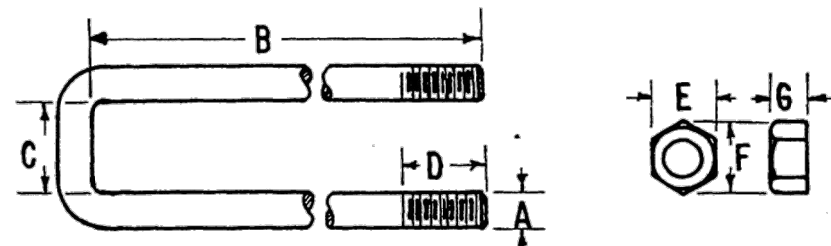
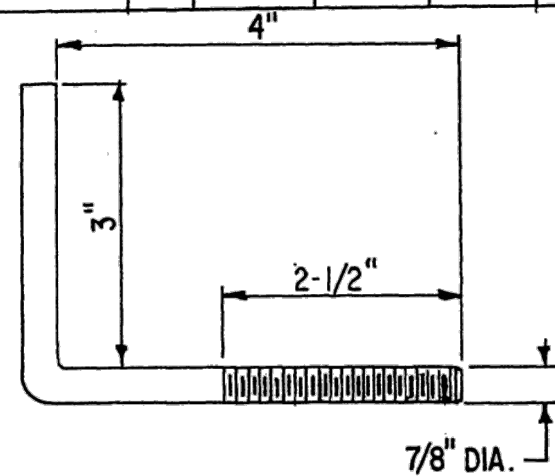


U BOLT , SQUARE BEND

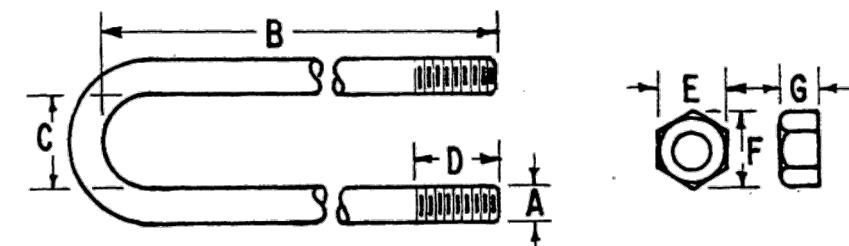


STOCK NUMBERS		ITEM NO.	A BODY DIA	B LENGTH OF BOLT	C SPREAD	D LENGTH OF THD	THDS INCH	E ACROSS FLATS	F CORNERS	G THICKNESS OF NUT
NEW	PARTLY WORN									
		1	5/16	1 1/2	1 1/8	3/4	18	1/2	.577-.557	17/64



HOOK BOLT , RIGHT ANGLE BEND

U BOLT , ROUND BEND



STOCK NUMBERS		ITEM NO.	A BODY DIA	B LENGTH OF BOLT	C SPREAD	D LENGTH OF THD	THDS INCH	E ACROSS FLATS	F CORNERS	G THICKNESS OF NUT
NEW	PARTLY WORN									

NOTES: ALL DIMENSIONS ARE IN INCHES.
ITEM 1 TO BE CADMIUM PLATED

TRACK STANDARD DRAWING NUMBER
ITEM NO.(SPECIFIC BOLT REQUIRED)
GTS-1312/1

METRIC CONVERSION: 1 inch=25.4mm, 1 foot=304.8mm

1	18/07/27	ADDED IMPERIAL TO METRIC CONVERSION NOTE	
No.	Date	Revision	By Approved
Standard/		U & HOOK BOLTS	
Drawn	MG	Checked	GGS
		Approved	<i>[Signature]</i> VP Engineering & Asset Management
Date	DEC 15, 2017	Plan Number	GTS-1312/1
		Rev	1
REFERENCE: TS-1312/1			Sheet 1 OF 1