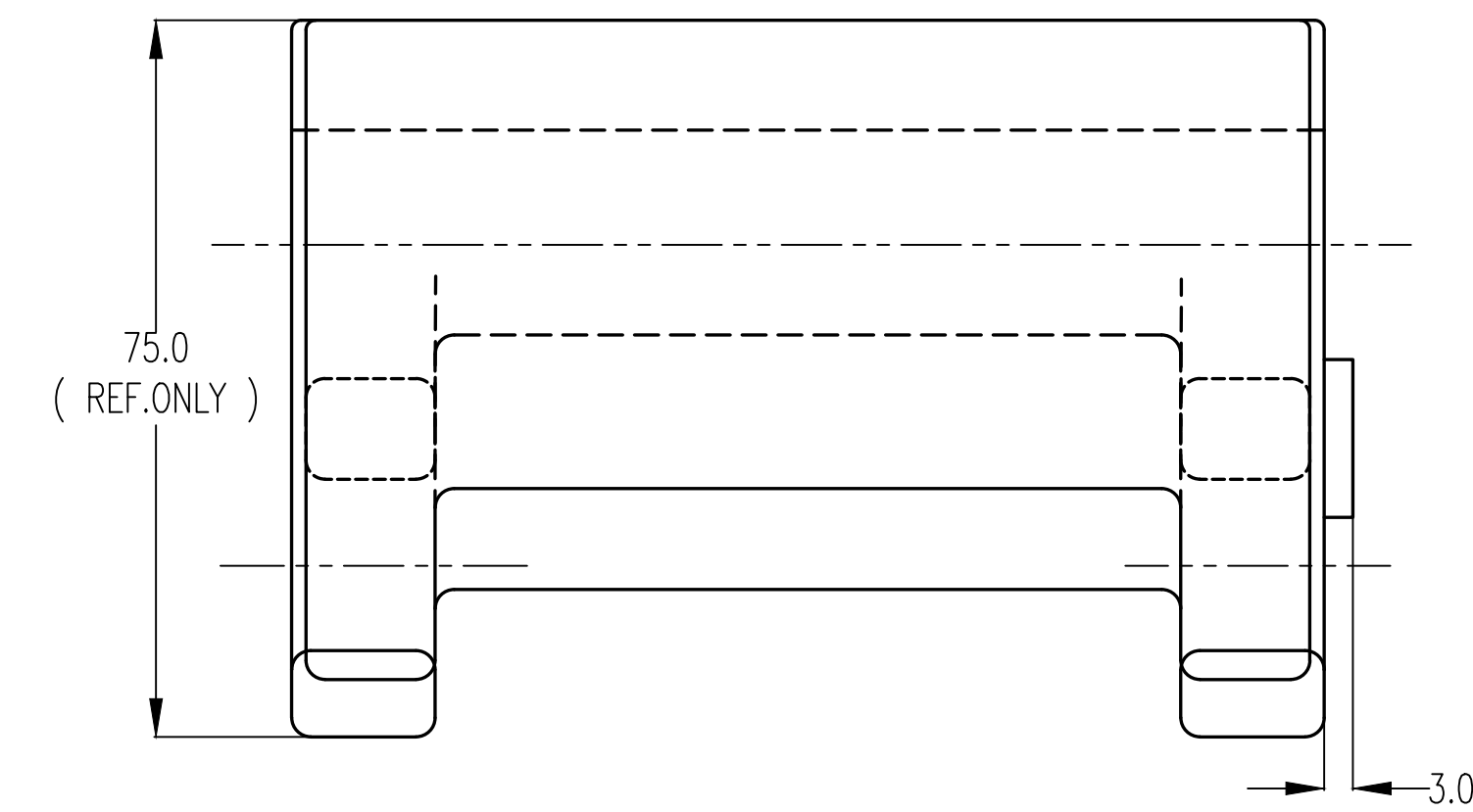
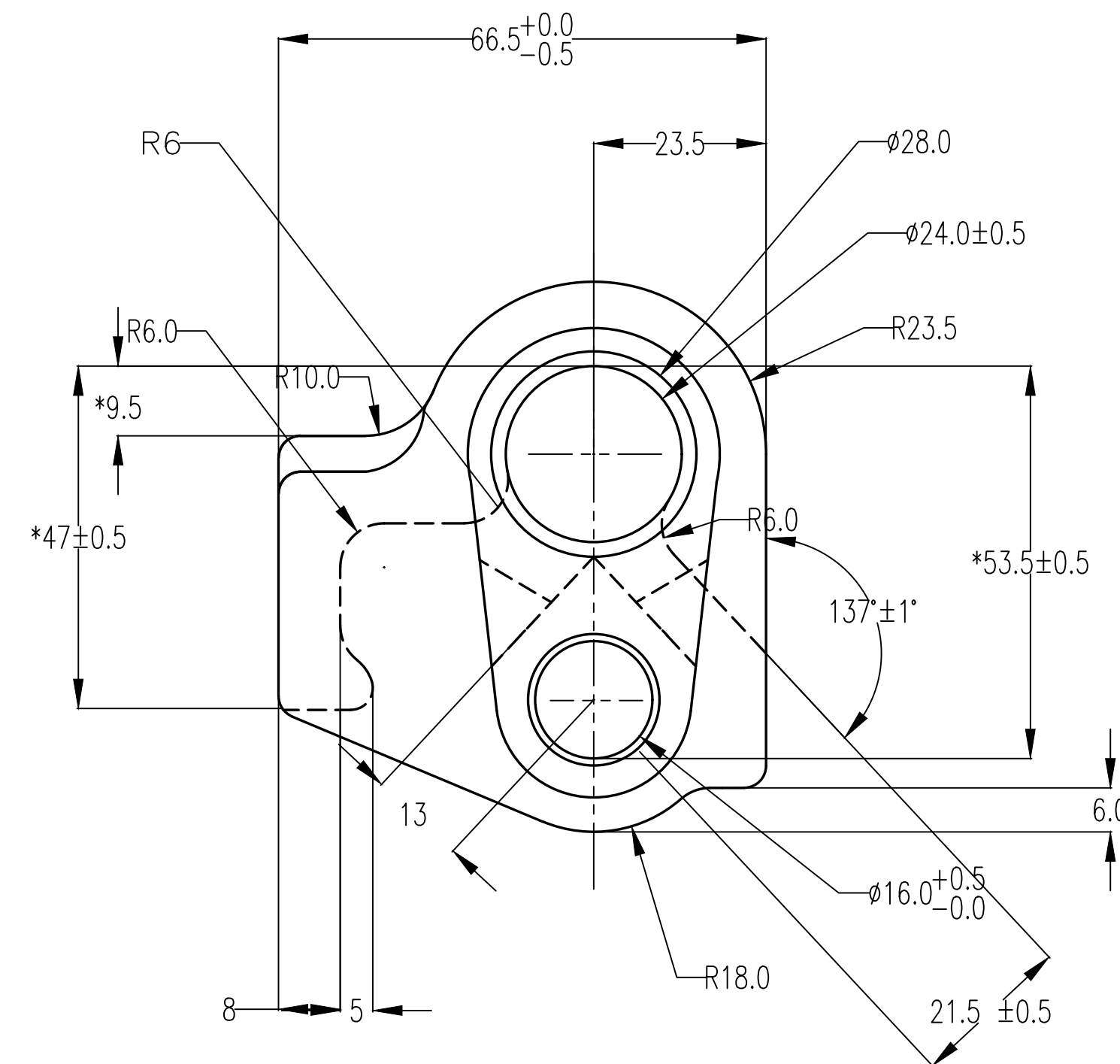
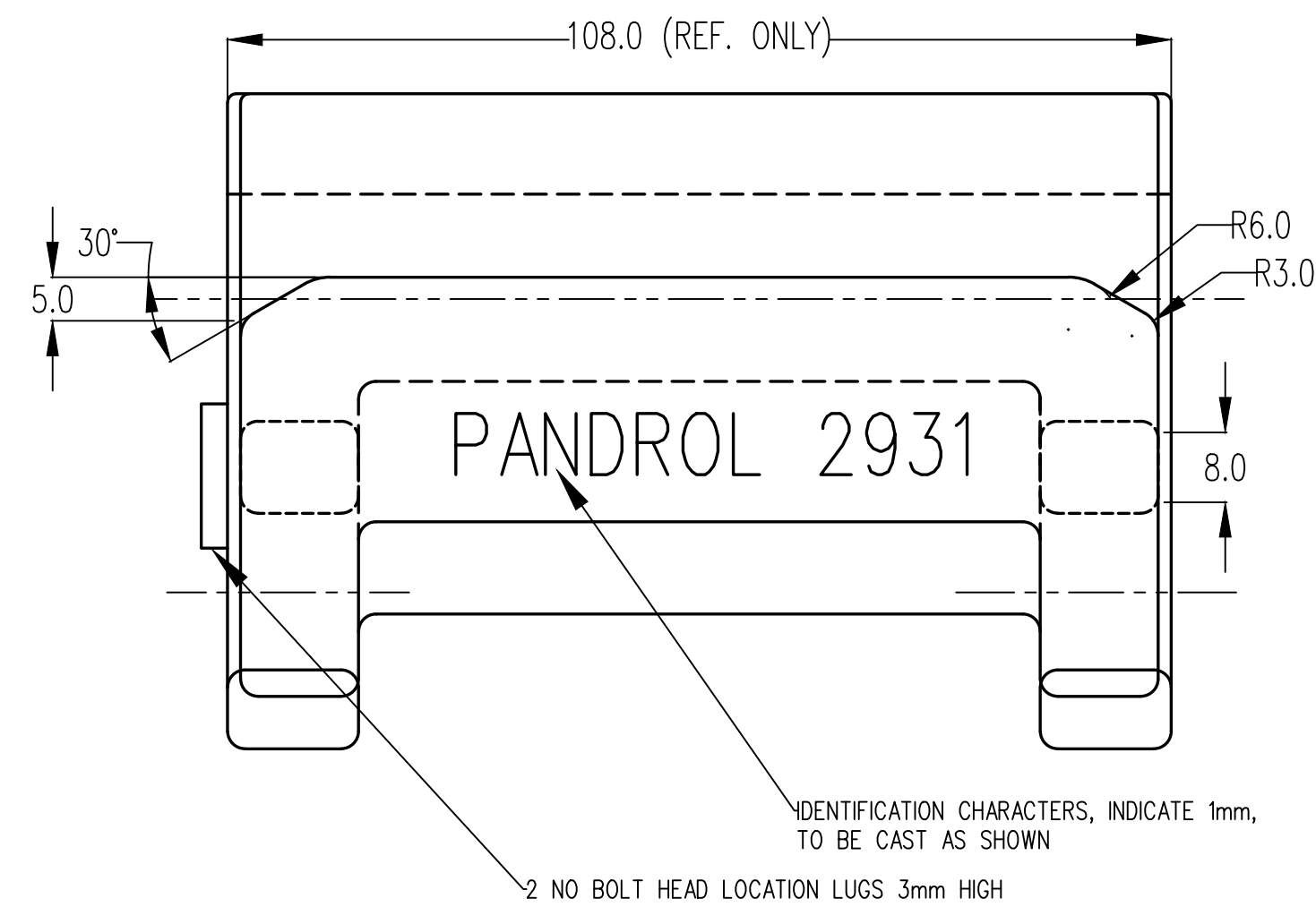


NOTES:

1. CONVERSION FACTOR: 1 INCH=25.4mm, 1 FOOT=304.8mm.
2. ALL DIMENSIONS ARE IN MILIMETERS.
3. DIMENSIONS ARE FOR FINISHED SHOULDERS. PROPER ALLOWANCES MUST BE MADE FOR SHRINKAGE WHEN MAKING PATTERNS.
4. ALL UNSPECIFIED RADII TO BE 3mm
5. RISERS TO BE GROUND OFF FLUSH
6. IDENTIFICATION CHARACTERS, AS SHOWN , TO BE CLEARLY CAST 8mm HIGH
7. ALL UNSPECIFIED TOLERANCES TO BE :
 0-25 ± 0.8
 26-50 ± 1.5
 51 UP ± 3.0
8. * ACCEPTABLE QUALITY LEVEL $\pm 1\%$
9. FOR INSTALLATION DETAILS SEE GTS-2207

MATERIAL:

SHOULDERS SHALL BE OF MALLEABLE IRON MADE IN ACCORDANCE WITH THE LATEST REVISION OF GO TRANSIT TRACK STANDARDS AND OF A.S.T.M. STANDARD SPECIFICATION FOR MALLEABLE CASTINGS NO.A47 GRADE 32510.



METRIC CONVERSION: 1 inch=25.4mm, 1 foot=304.8mm

1	18/07/27	ADDED IMPERIAL TO METRIC CONVERSION NOTE	
No.	Date	Revision	By Approved

Standard / SHIMMING
SHOULDER EXTENSION

Drawn MG Checked GGS Approved *[Signature]*
VP Engineering & Asset Management



Date DEC 15, 2017 Plan Number GTS-1332 Rev 1

REFERENCE: TS-1332 Sheet 1 OF 1