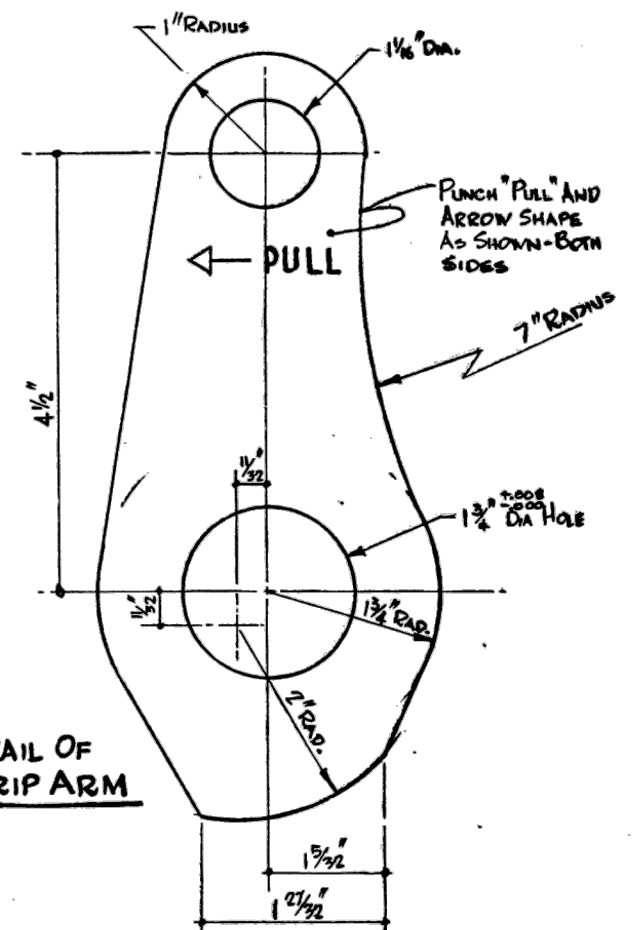


BILL OF MATERIAL

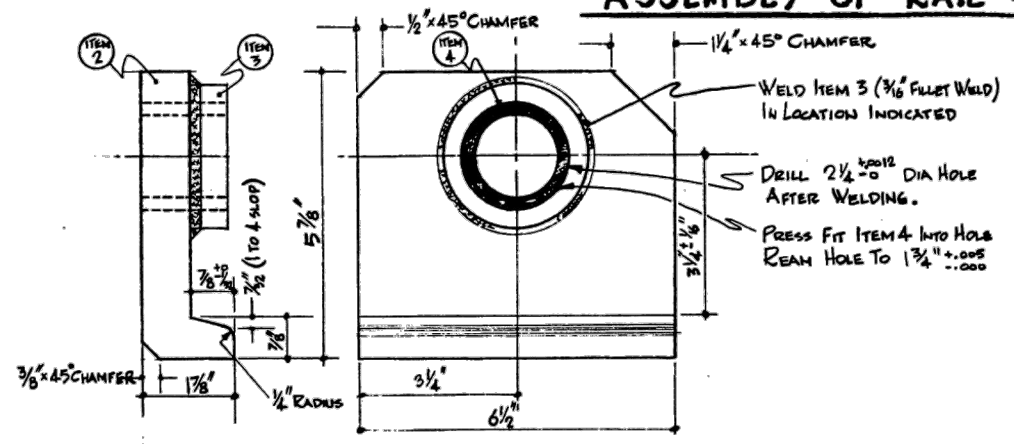
QUANTITY	ITEM	DESCRIPTION
1	1	GRIP CAM (MAT'L EN Spec M-42-0 Class A Grade 3)
2	2	SIDE CLAMP - MILD STEEL EN Spec 150-6A Class C-1030
2	3	SPACER 3" DIA x 3/8" THICK MILD STEEL
2	4	BUSHING (MAT'L A.I.S.I. - 1020 Grade C)
1	5	PIN (MAT'L AAR M-122 Grade C-1030)
2	6	END PIECE 2 3/4" x 4 9/8" x 1/2" THICK MILD STEEL
1	7	END PIECE 2" x 4 9/8" x 1/2" THICK MILD STEEL
1	8	PLATE WASHER 1 1/8" I.D. x 3 1/2" O.D. x 3/16" THICK
1	9	COTTER PIN 3/8" DIA x 3" LG.

- SECTION -

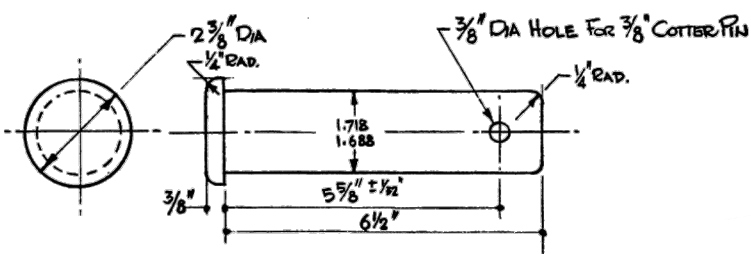


DETAIL OF GRIP ARM

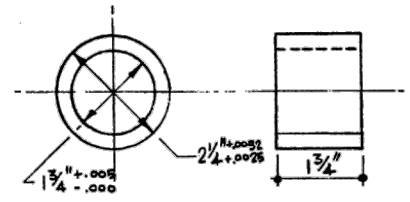
- ASSEMBLY OF RAIL GRAB -



DETAILS & SUB-ASSEMBLY COMPLETED SIDE RECE



DETAIL ITEM 5 PIN
MAT'L M-122 Grade C-1030



DETAIL ITEM 4 BUSHING
CASE HARDENED BUSHING - MAT'L A.I.S.I - 1020 Grade C

METRIC CONVERSION: 1 inch=25.4mm, 1 foot=304.8mm

1	18/07/27	ADDED IMPERIAL TO METRIC CONVERSION NOTE	
No.	Date	Revision	By Approved

Standard / **RAIL GRAB**

Drawn MG Checked GGS Approved *WLL*
VP Engineering & Asset Management



Date DEC 15, 2017 Plan Number GTS-1805 Rev 1

REFERENCE: TS-1805 Sheet 1 OF 1