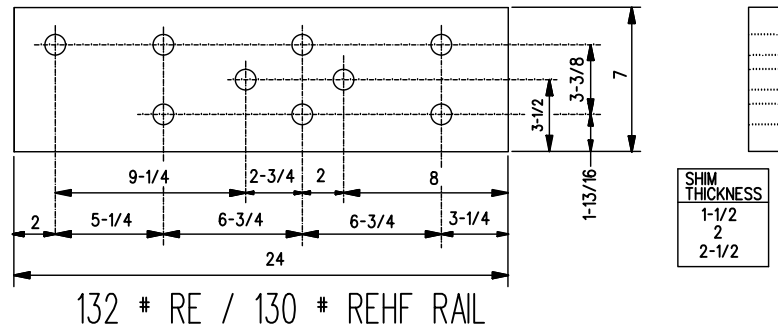
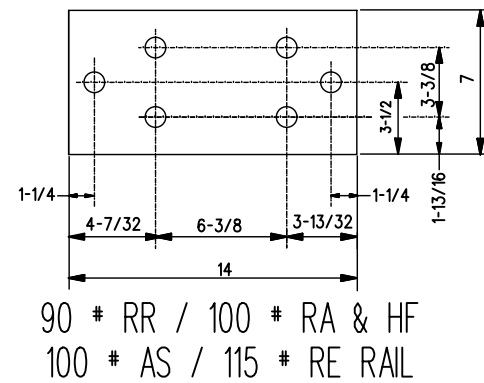
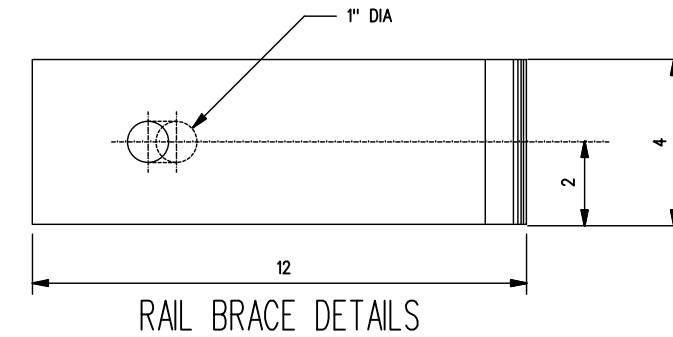
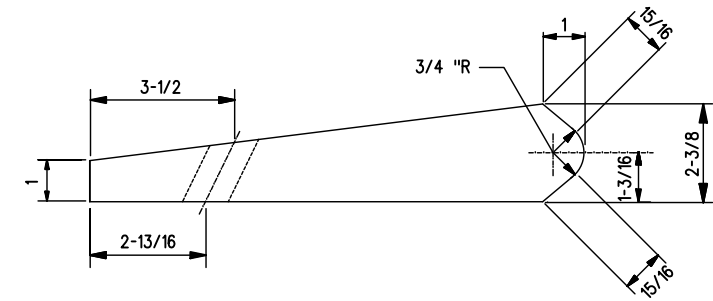


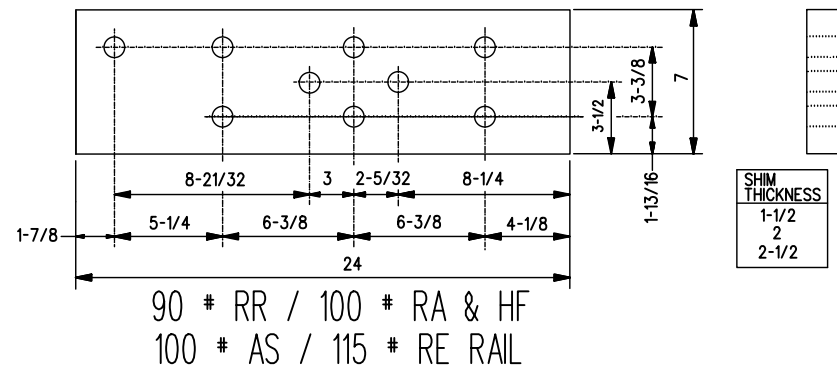
SHIM THICKNESS
1/8
1/4
3/8
1/2
3/4
1
1-1/4



SHIM THICKNESS
1-1/2
2
2-1/2



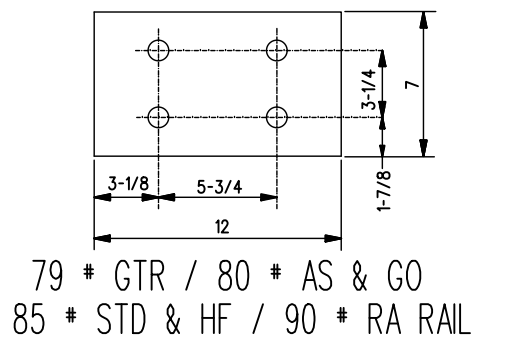
SHIM THICKNESS
1/8
1/4
3/8
1/2
3/4
1
1-1/4



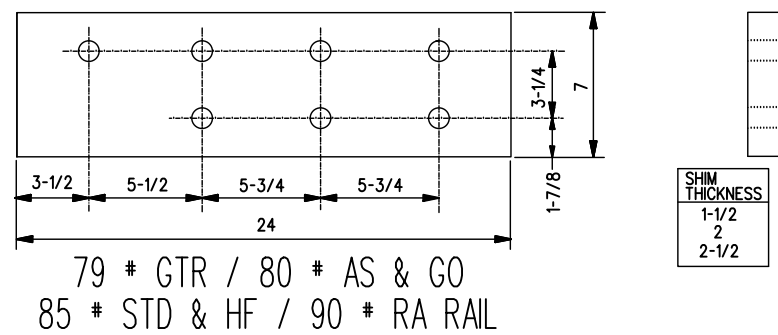
SHIM THICKNESS
1-1/2
2
2-1/2

NOTES :

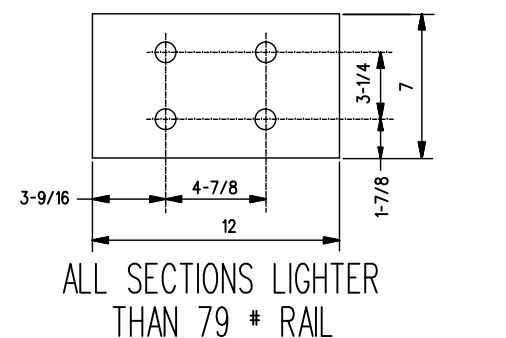
1. ALL DIMENSIONS ARE IN INCHES.
2. 8'-0" SHIMS TO BE DRILLED IN FIELD.
3. ALL HOLES TO BE DRILLED 1" IN DIAMETER.
4. FOR INSTALLATION DETAILS SEE GTS-2206
5. SHIMS TO BE MANUFACTURED IN ACCORDANCE WITH THE LATEST REVISION OF GO TRACK STANDARDS RC-0506-02TRK.



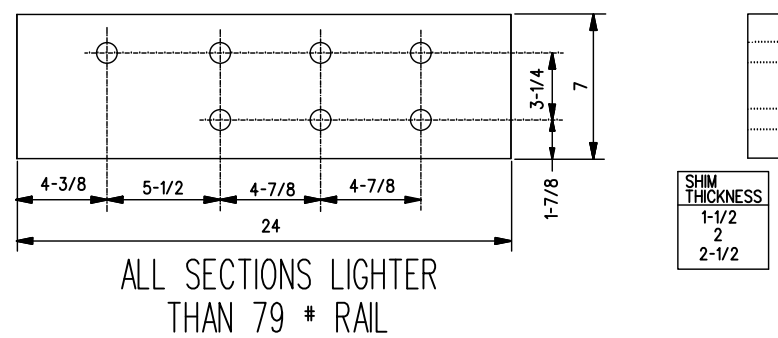
SHIM THICKNESS
1/4
1/2
3/4
1
1-1/4



SHIM THICKNESS
1-1/2
2
2-1/2



SHIM THICKNESS
1/4
1/2
3/4
1
1-1/4



SHIM THICKNESS
1-1/2
2
2-1/2

METRIC CONVERSION: 1 inch=25.4mm, 1 foot=304.8mm

1	18/07/27	ADDED IMPERIAL TO METRIC CONVERSION NOTE	
No.	Date	Revision	By Approved

Standard / **MANUFACTURING DETAILS TRACK SHIMS & RAIL BRACES**

Drawn GGS Checked GWM Approved *[Signature]* VP Engineering & Asset Management



Date SEPT 15/2017 Plan Number GTS-2003 Rev 1