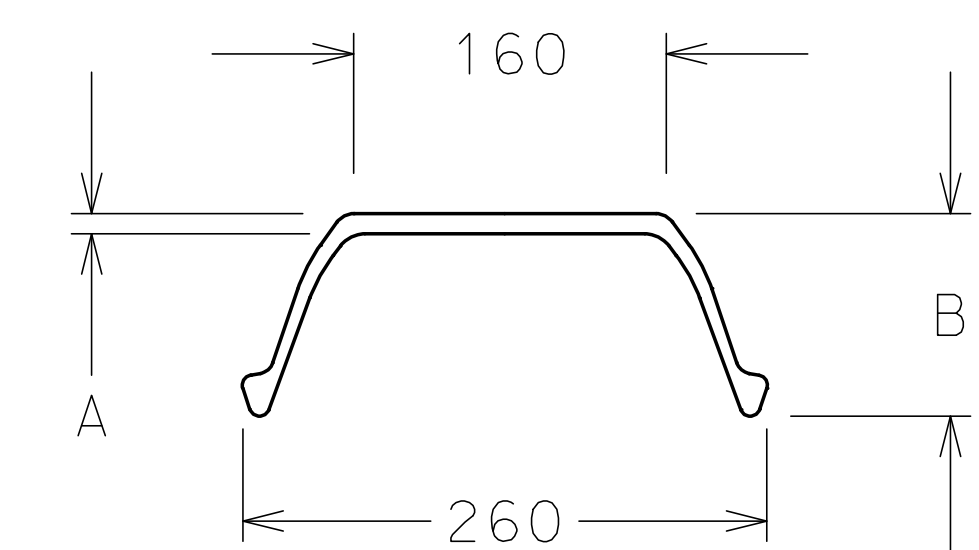
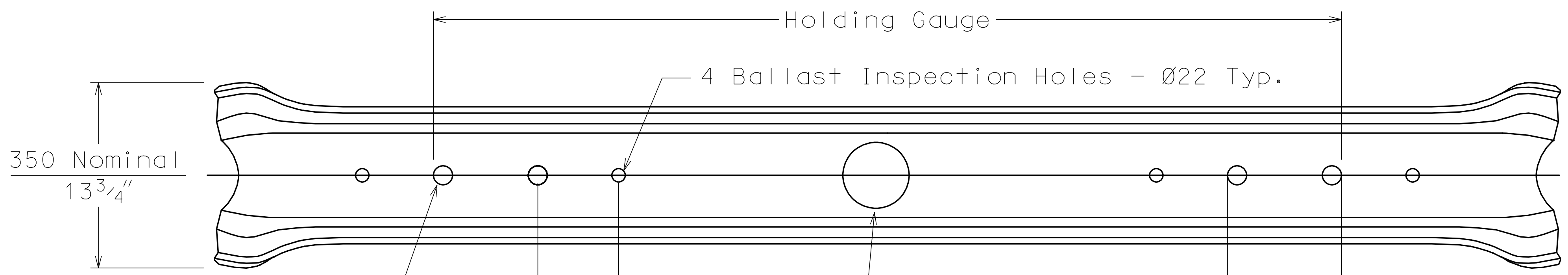


Section Properties



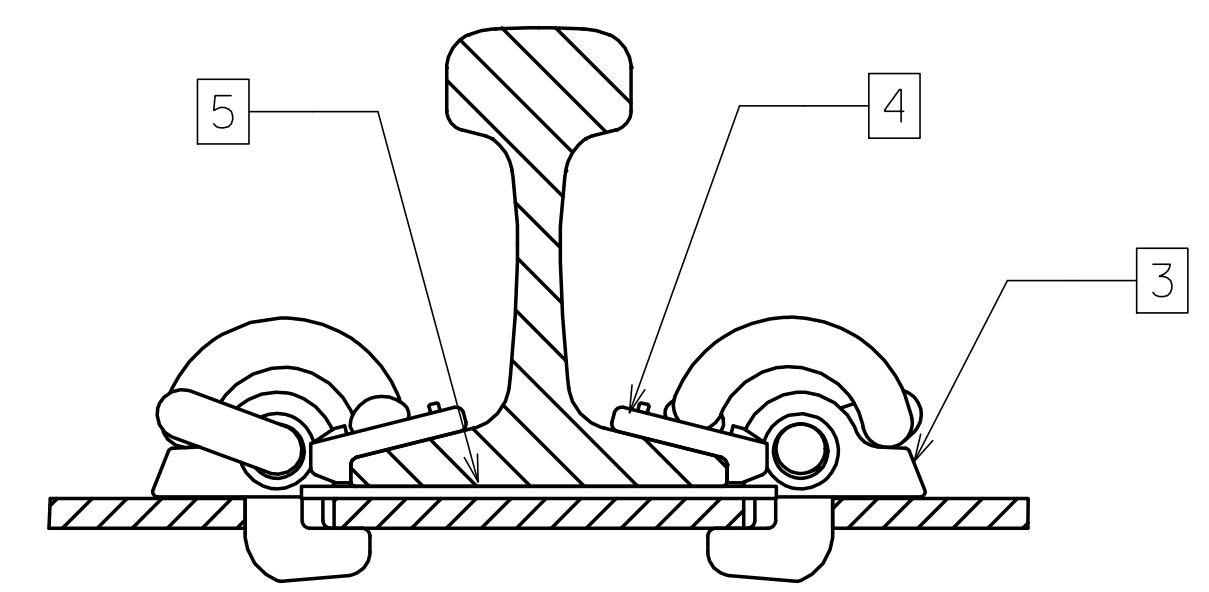
Section:	M8	M10
Dimension 'A' mm	8	10
Dimension 'B' mm	98.3	100.3
Weight of tie - kg / lb	58/128	70/154
Weight of bar - kg/m	22.2	26.7
Yield strength - MPa (min)	345	345
Section moduli - Z Top*10 ³ mm ³	97.4	115.2
- Z Bot*10 ³ mm ³	45.7	51.8



Holes punched to suit rail weight & insulation requirements

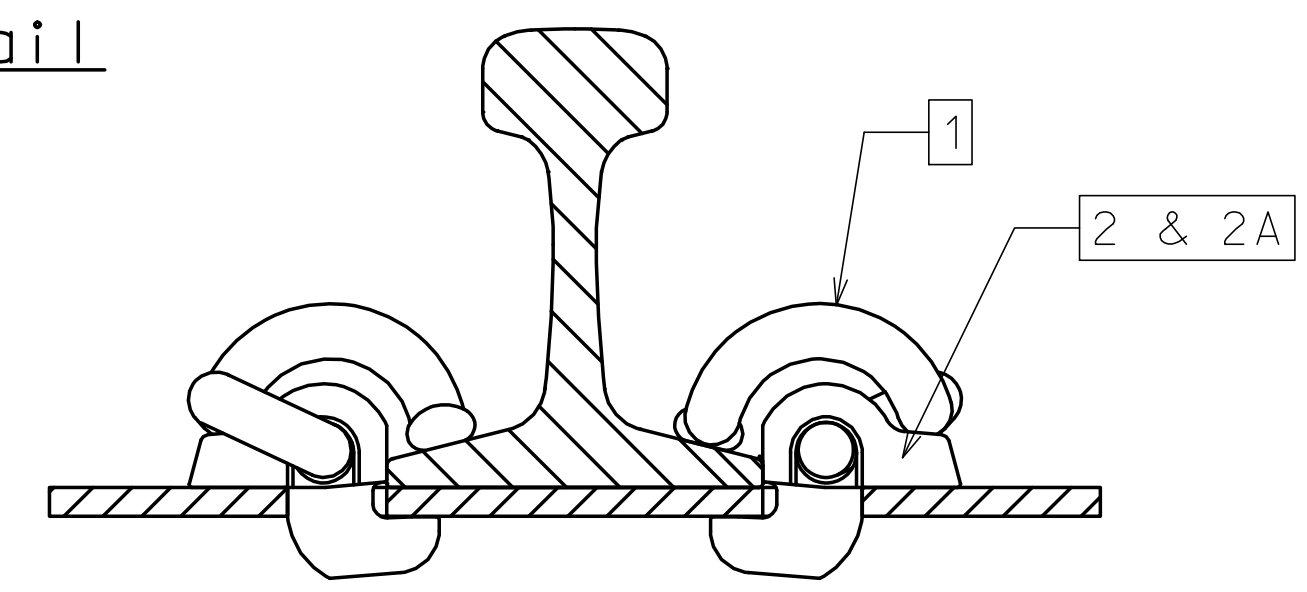
NARSTCO
TIE CODE
MM-YY USA

Stamp Detail



Typical Insulated Rail Assembly

NOTE: M8 TIE NOT AVAILABLE WITH INSULATED RAIL ASSEMBLY



Typical Uninsulated Rail Assembly

No.	'e' TYPE ASSEMBLY COMPONENTS	PART No.
1	'e' TYPE RAIL CLIP	'e' CLIP
2	NARSTCO CAST HOOK-IN SHOULDER (10mm)	4020
2A	NARSTCO CAST HOOK-IN SHOULDER (8mm)	4040
3	NARSTCO CAST HOOK-IN SHOULDER (10mm)	4010
4	INSULATOR	
5	RAIL PAD	

* Rail seat area canted to specification i.e. 1:20, 1:30, 1:40

METRIC CONVERSION: 1 inch=25.4mm, 1 foot=304.8mm

No.	Date	Revision	By	Approved
0	18/08/31	REVISED PDF VERSION ESTABLISHED		

Standard / **M-SECTION STEEL CROSS TIE INSULATED AND UNINSULATED APPLICATIONS WITH CAST HOOK-IN SHOULDERS FOR 'e' TYPE CLIPS**

Drawn MG Checked GGS Approved *[Signature]* VP Engineering & Asset Management

Date AUG 31, 2017 Plan Number GTS-2104 Rev 0

REFERENCE: Sheet 1 OF 1

