

FIGURE I - COMMON MATERIAL EMBANKMENT UP TO 3.05m [10'] FILL

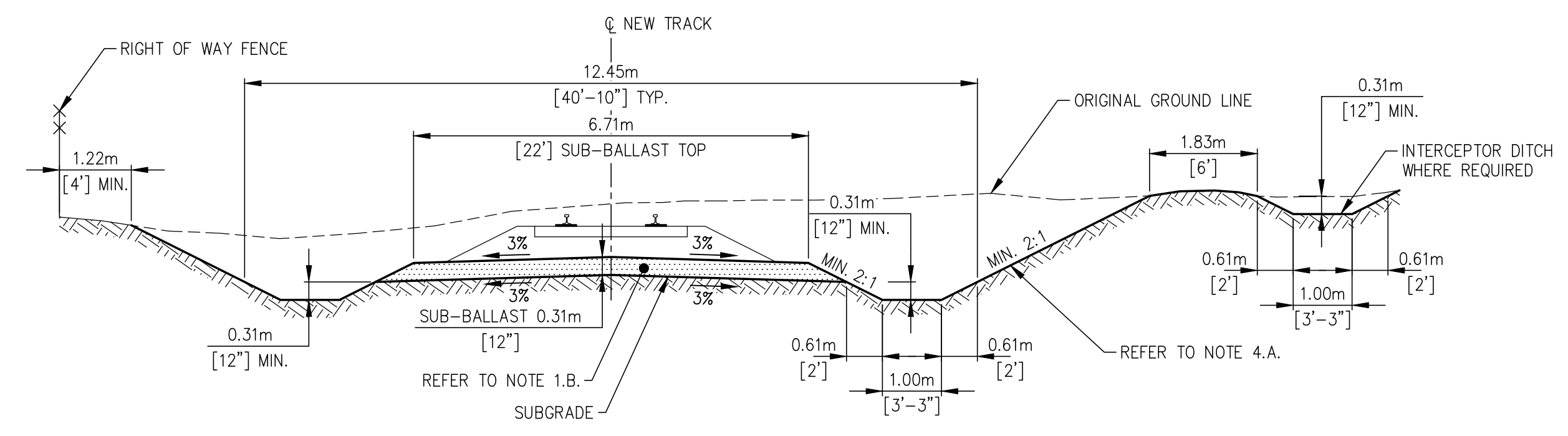


FIGURE IV - COMMON MATERIAL EXCAVATION UP TO 3.05m [10'] CUT

NOTES:  
1. REFER TO SHEET 2 FOR NOTES.

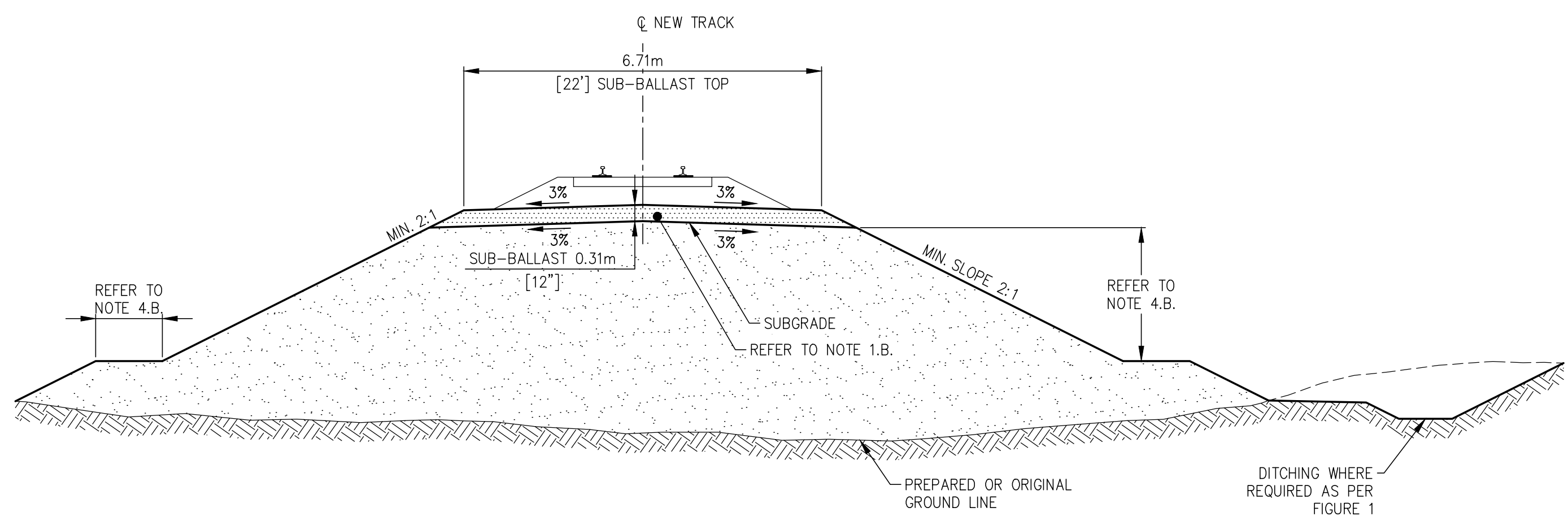


FIGURE II - COMMON MATERIAL EMBANKMENT UP TO 3.05m [10'] FILL - SPECIAL DESIGN

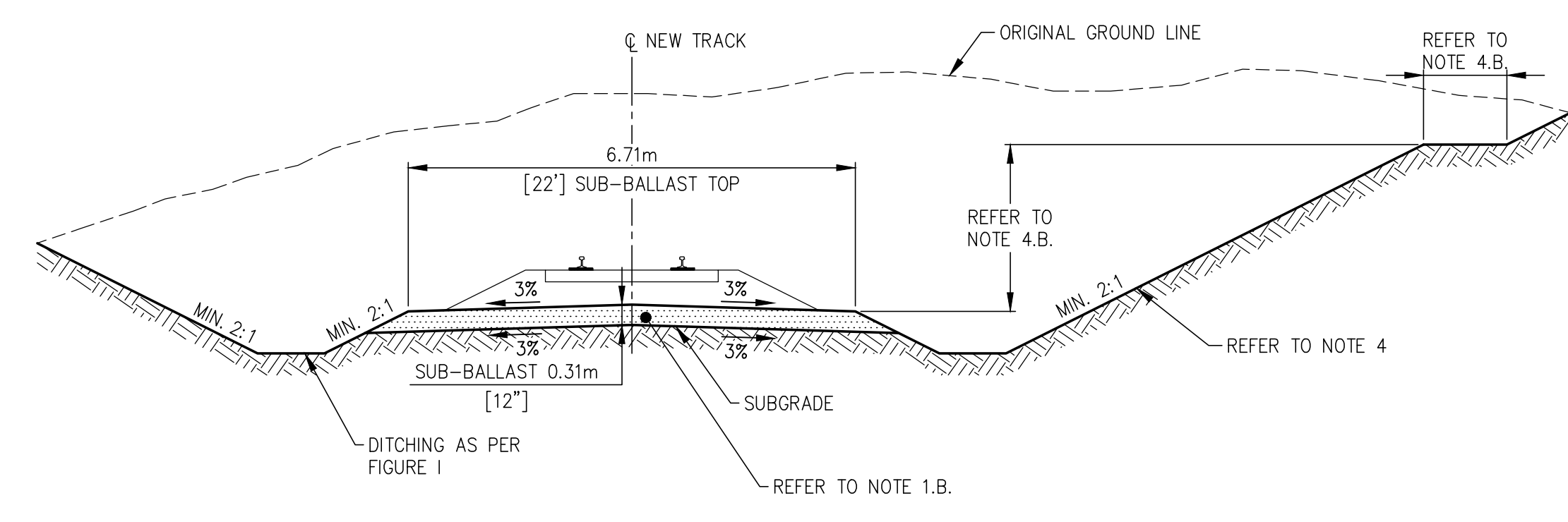


FIGURE V - COMMON MATERIAL EXCAVATION UP TO 3.05m [10'] CUT - SPECIAL DESIGN

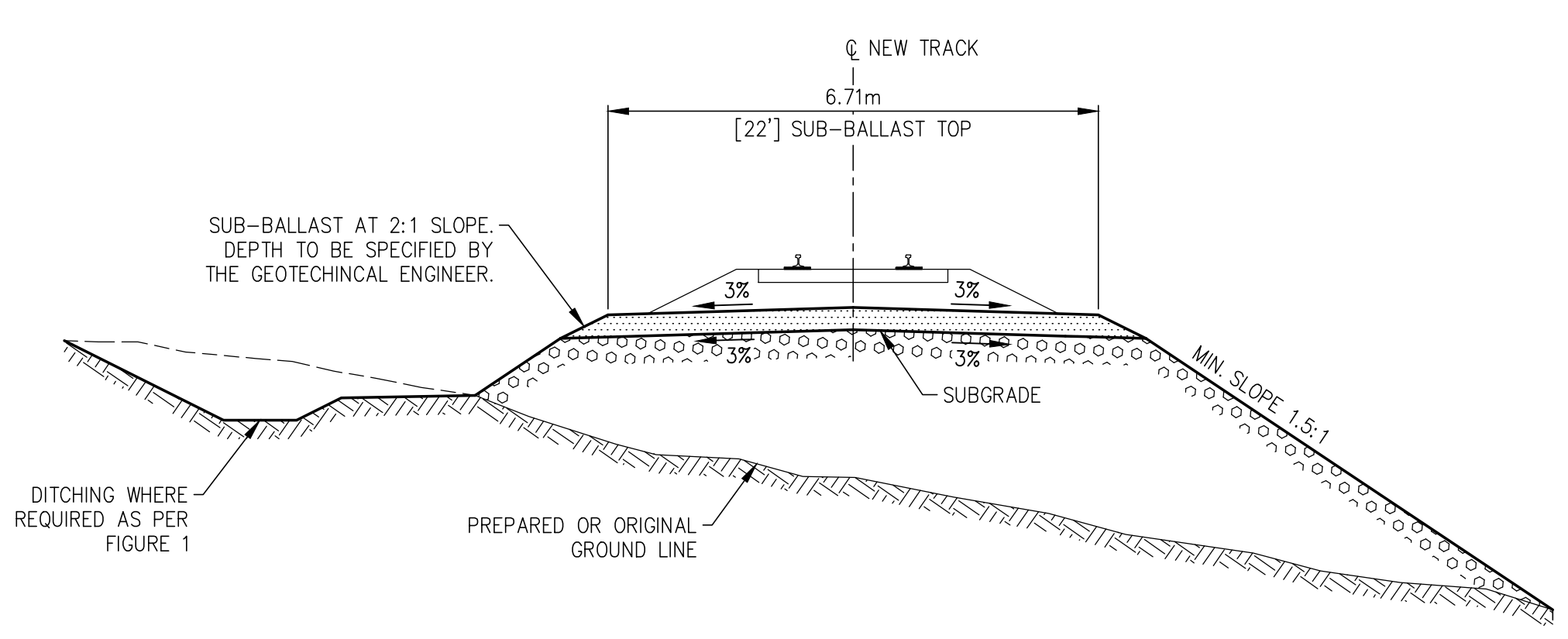


FIGURE III - ROCK EMBANKMENT

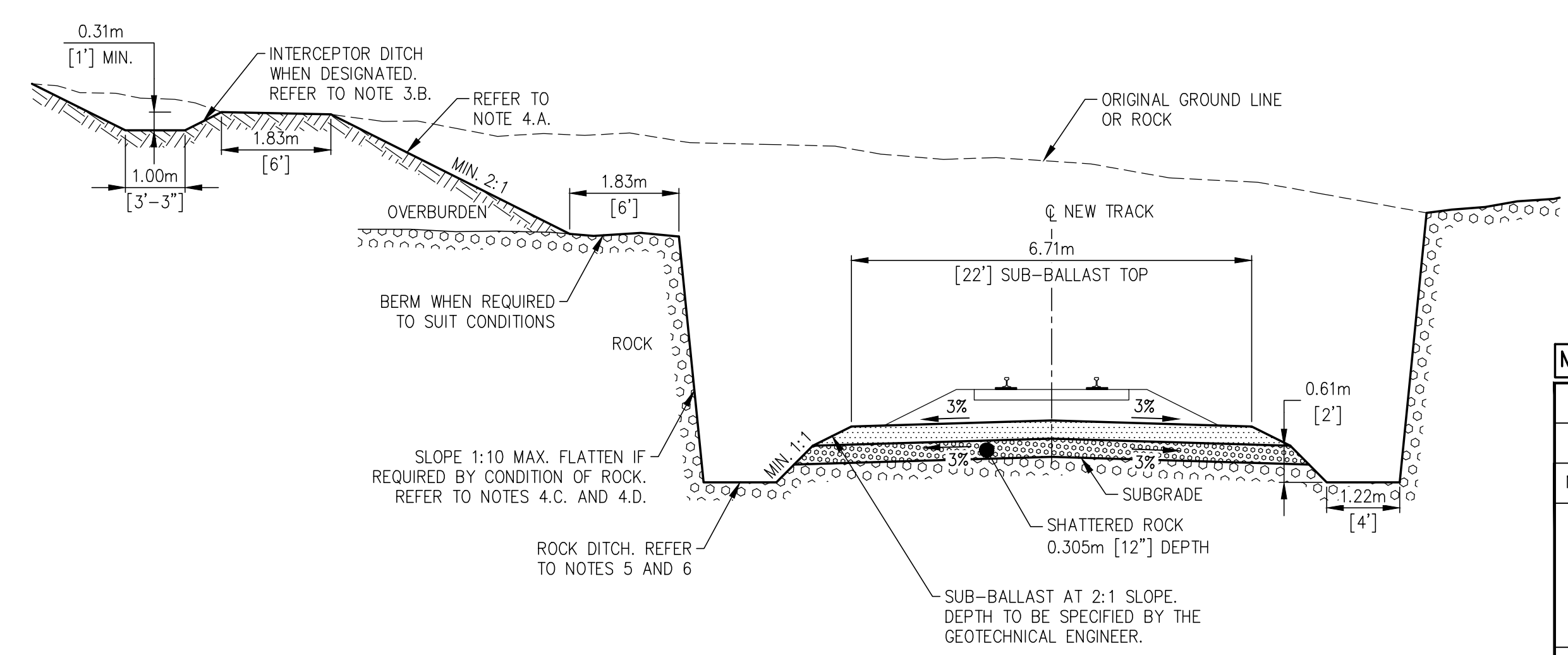


FIGURE VI - ROCK EXCAVATION

METRIC CONVERSION: 1 inch=25.4mm, 1 foot=304.8mm

2	23/10/31	UPDATED DITCH, SUB-BALLAST AND SIGNAL TRENCH DETAILS
1	19/01/25	ADDED METRIC CONVERSION, REVISED SUB-BALLAST SUPPLY REQUIREMENT
No.	Date	Revision

Standard TYPICAL EMBANKMENTS & EXCAVATIONS TRACK BEDS FOR MAIN TRACK

Drawn NA Checked SJ Approved VP Engineering & Asset Management - Track



Date OCTOBER 31/2023 Plan Number GTS-2204 Rev 2

REFERENCE: TS-2204\_SH1\_R3 Sheet 1 OF 3