

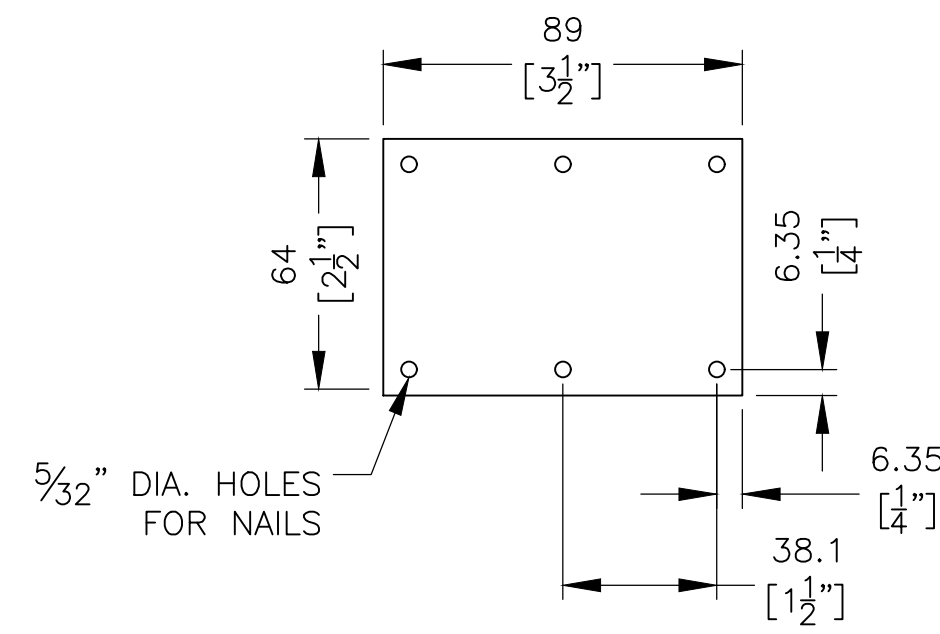
TRACK GEOMETRY POINT DEFINITIONS:

FOR CURVE WITH SPIRALS:
 TS: TANGENT TO SPIRAL
 SC: SPIRAL TO CURVE
 CS: CURVE TO SPIRAL
 ST: SPIRAL TO TANGENT

FOR CURVE WITH SUPERELEVATION RUNOFF:
 SS: START OF SUPERELEVATION
 ES: END OF SUPERELEVATION

FOR COMPOUND CURVE WITH SPIRALS:
 PCC: POINT OF COMPOUND CURVATURE
 AHD: AHEAD
 BK: BACK/BEHIND

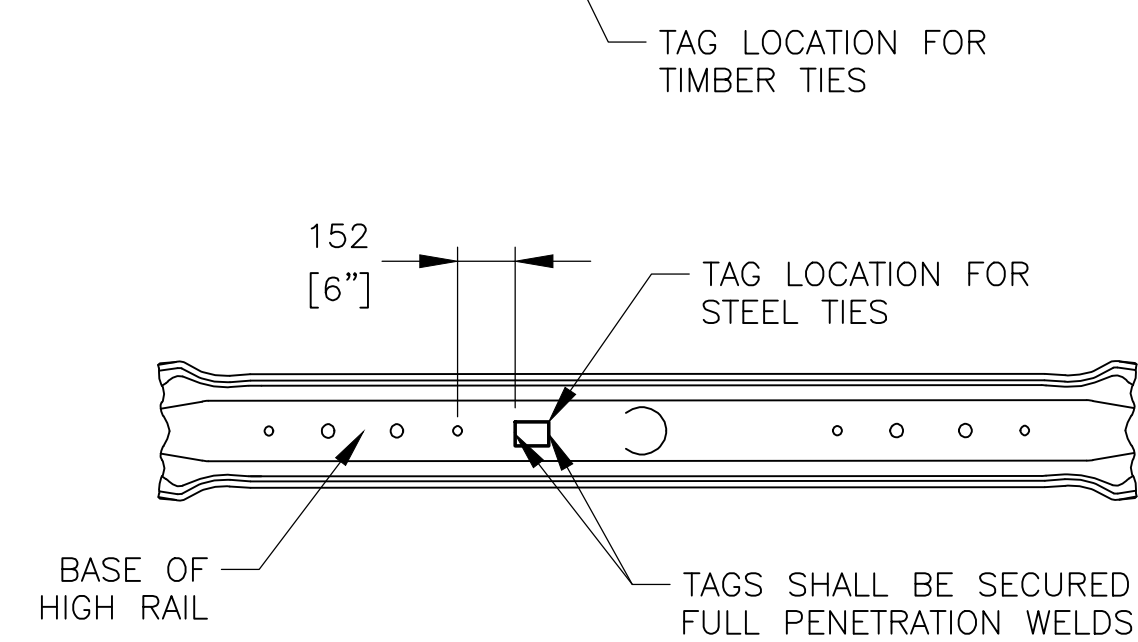
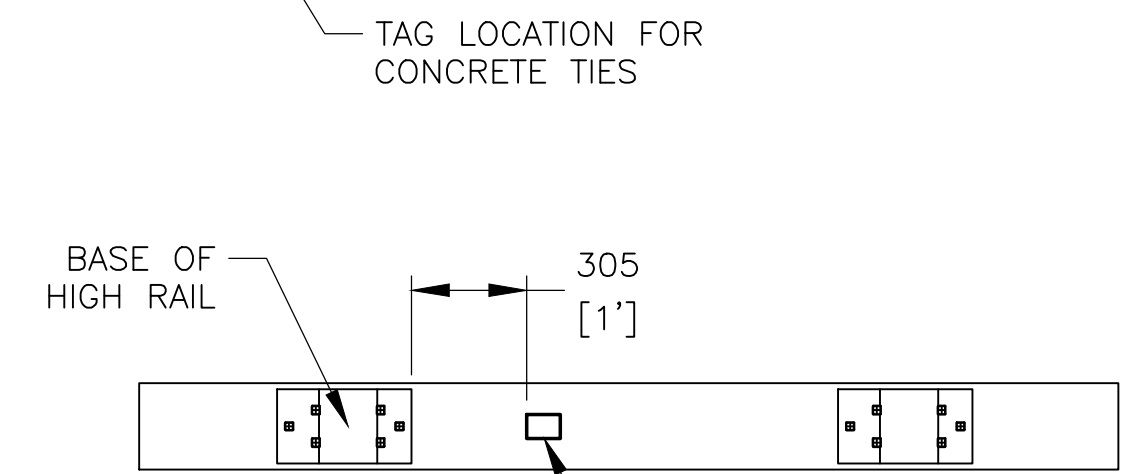
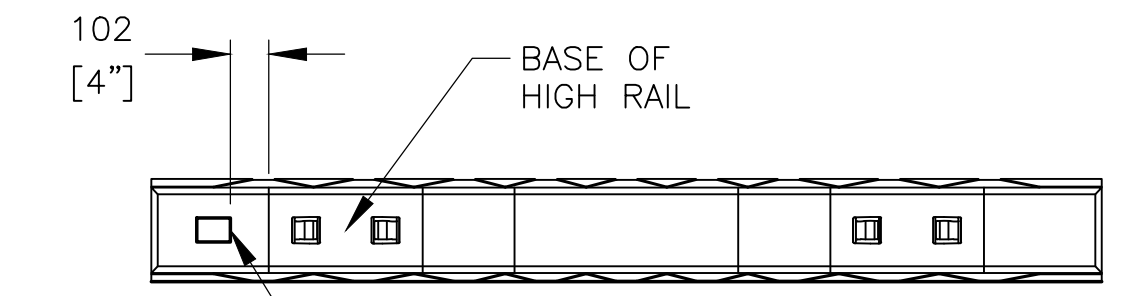
FOR CURVE WITHOUT SPIRALS:
 PC: POINT OF CURVATURE
 PT: POINT OF TANGENCY



TAG DIMENSIONS

CURVE TYPE	TAG DETAILS			
CURVE WITH SPIRALS	TAG 1 TS LS = XX FT EA = X.XX IN	TAG 2 SC LS = XX FT D = X-XX-XX EA = X.XX IN	TAG 3 CS LS = XX FT D = X-XX-XX EA = X.XX IN	TAG 4 ST LS = XX FT EA = X.XX IN
	TAG 5 SS L _{SS-TS} = XX FT EA = 0 IN	TAG 6 ES L _{ST-ES} = XX FT EA = 0 IN		
CURVE WITH SPIRALS WITH SUPERELEVATION RUNOFF ONTO TANGENT	TAG 7 CS LS = XX FT D = X-XX-XX EA = X.XX IN	TAG 8 PCC D BK = X-XX-XX D AHD = X-XX-XX EA = X.XX IN		
	TAG 9 PC D = X-XX-XX EA = 0 IN	TAG 10 PT D = X-XX-XX EA = 0 IN		

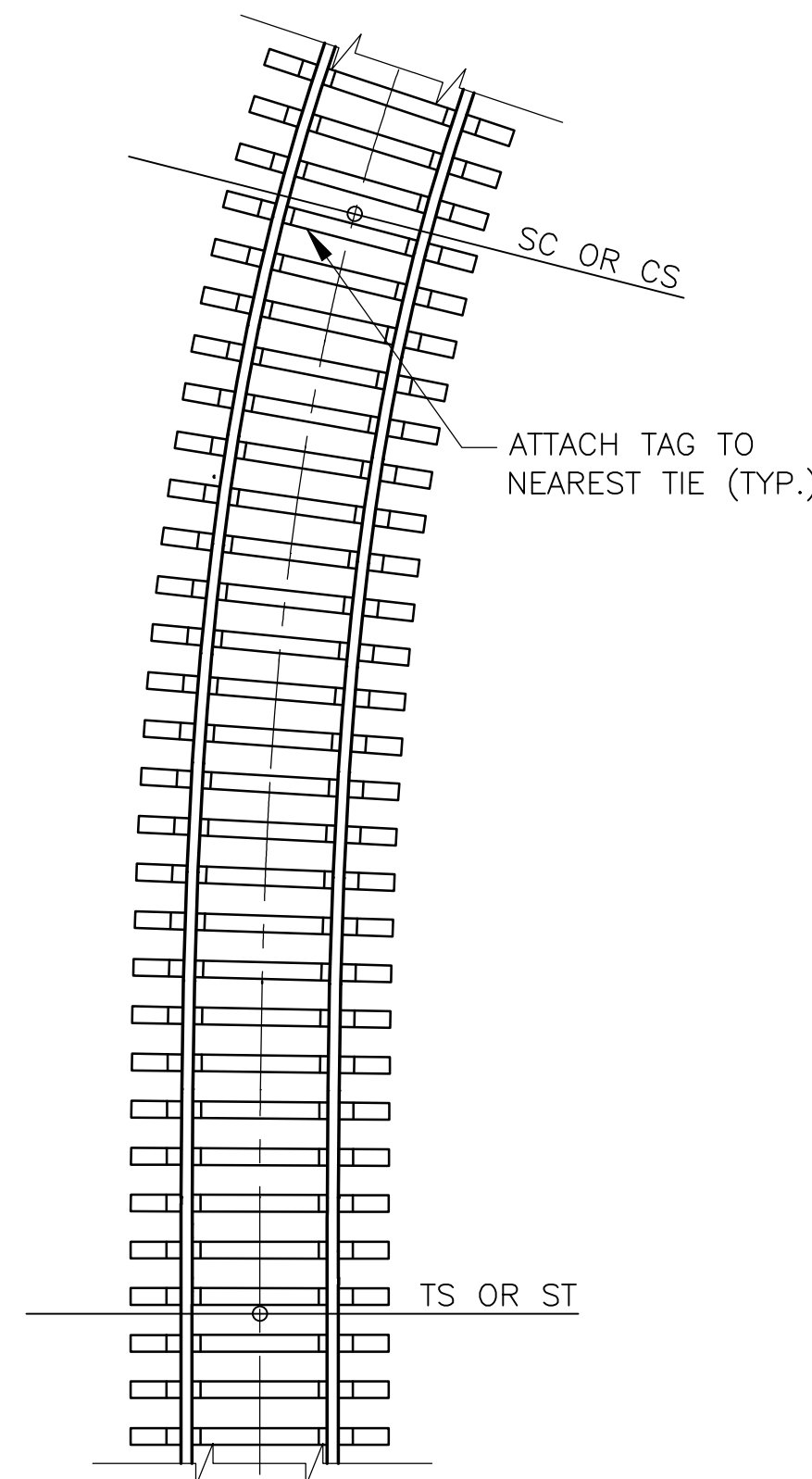
TAG DETAILS



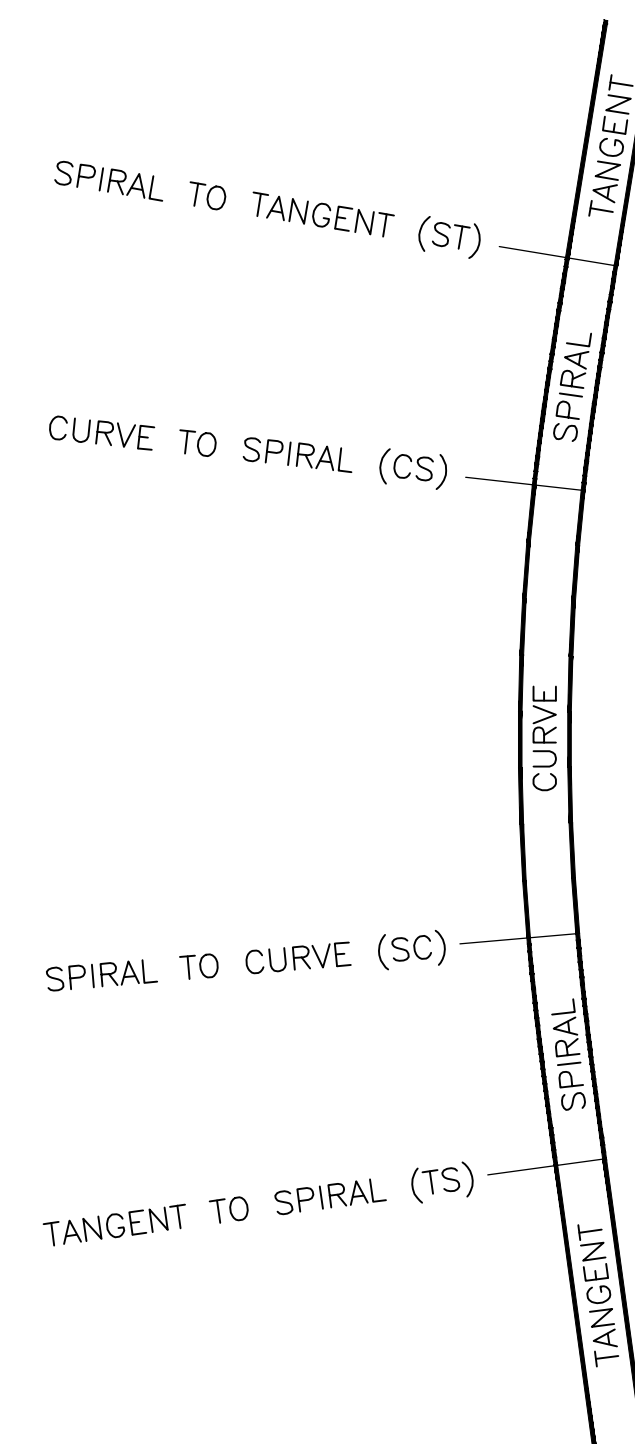
PLAN – TAG LOCATION ON TIES



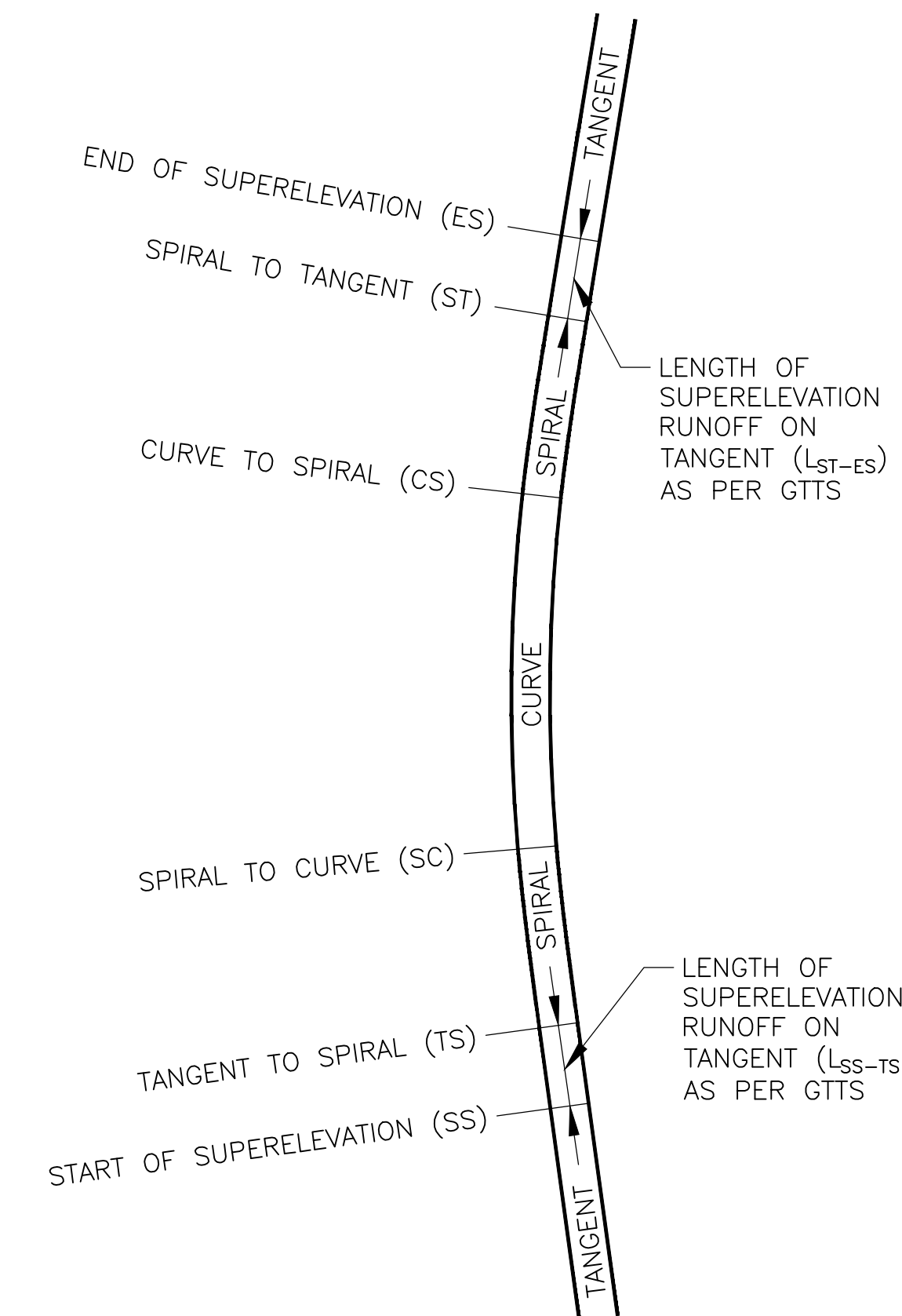
PLAN – LOCATIONS TO BE TAGGED
 NOTE: RH CURVE AS SHOWN, LH OPPOSITE



PLAN – TAG LOCATION AT GEOMETRY POINTS



PLAN – CURVE WITH SPIRALS



PLAN – CURVE WITH SPIRALS WITH SUPERELEVATION RUNOFF ONTO TANGENT

NOTES:

- FOR CONCRETE AND TIMBER TIES, TAGS SHALL BE MADE OF GRADE 303 STAINLESS STEEL WITH EMBOSSED LETTERING, AS SHOWN.
- FOR STEEL TIES, TAGS SHALL BE STEEL, 16 GAUGE, WITH EMBOSSED LETTERING, AS SHOWN.
- ORIENT TAGS TO BE READ WHILE WALKING IN THE DIRECTION OF INCREASING MILEPOSTS.
- ATTACH TAGS TO CONCRETE TIES WITH MANUS-PRENE 65-A ADHESIVE (OR EQUIVALENT AS APPROVED BY METROLINX-TRACK).
- ATTACH TAGS TO WOOD TIES WITH GALVANIZED 10 PENNY NAILS (OR EQUIVALENT AS APPROVED BY METROLINX-TRACK).
- TAGS ATTACHED TO ANY TIE BEING REPLACED SHALL BE REMOVED AND ATTACHED TO THE REPLACEMENT TIE BY THE CONTRACTOR.

METRIC CONVERSION: 1 inch=25.4mm, 1 foot=304.8mm

0	23/10/31	INITIAL VERSION ESTABLISHED	
No.	Date	Revision	By Approved

Standard	TRACK GEOMETRY TAGS
Drawn	NA
Checked	SJ
Approved	VP Engineering & Asset Management - Track



Date OCTOBER 31/2023 Plan Number GTS-0726 Rev 0