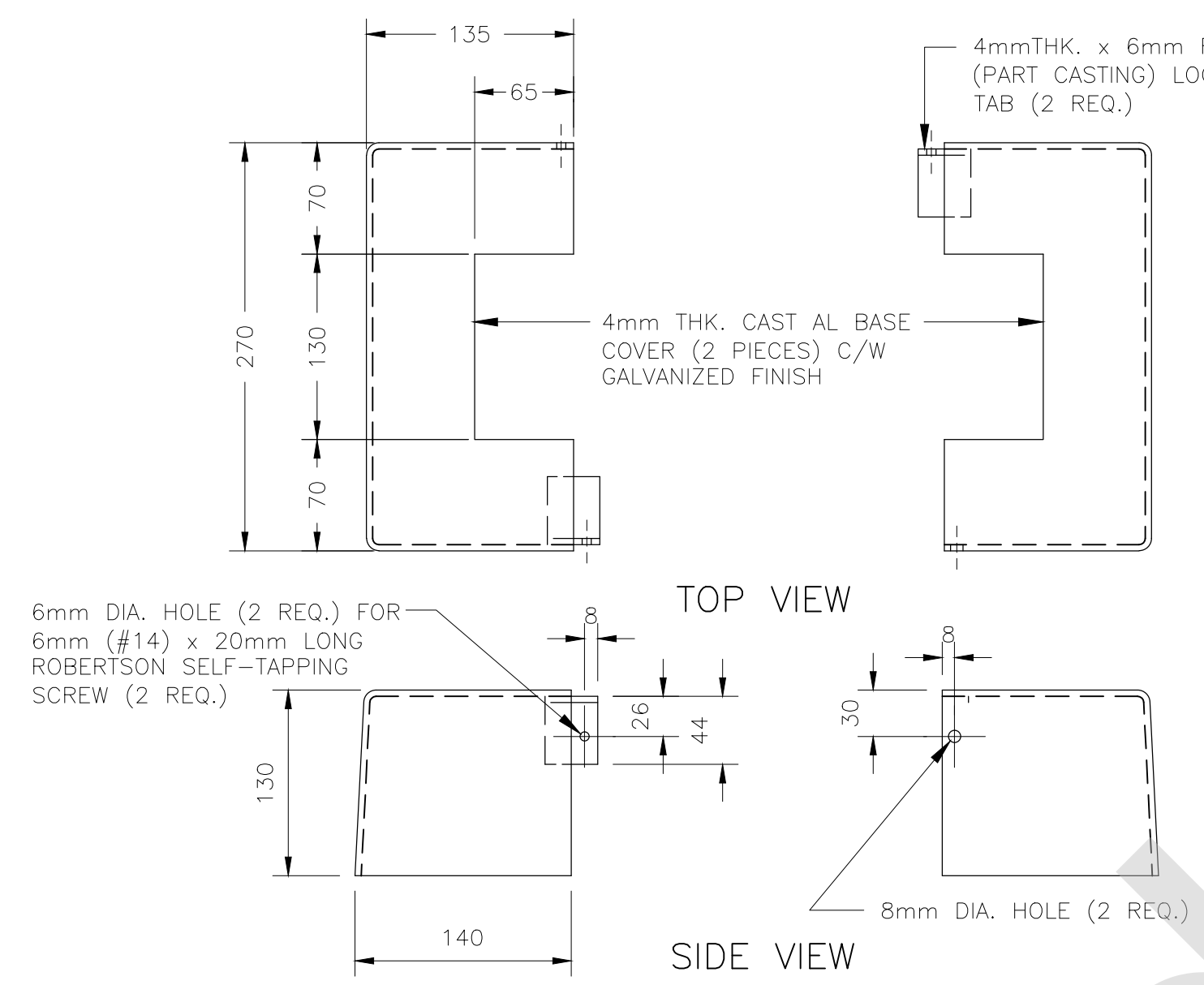
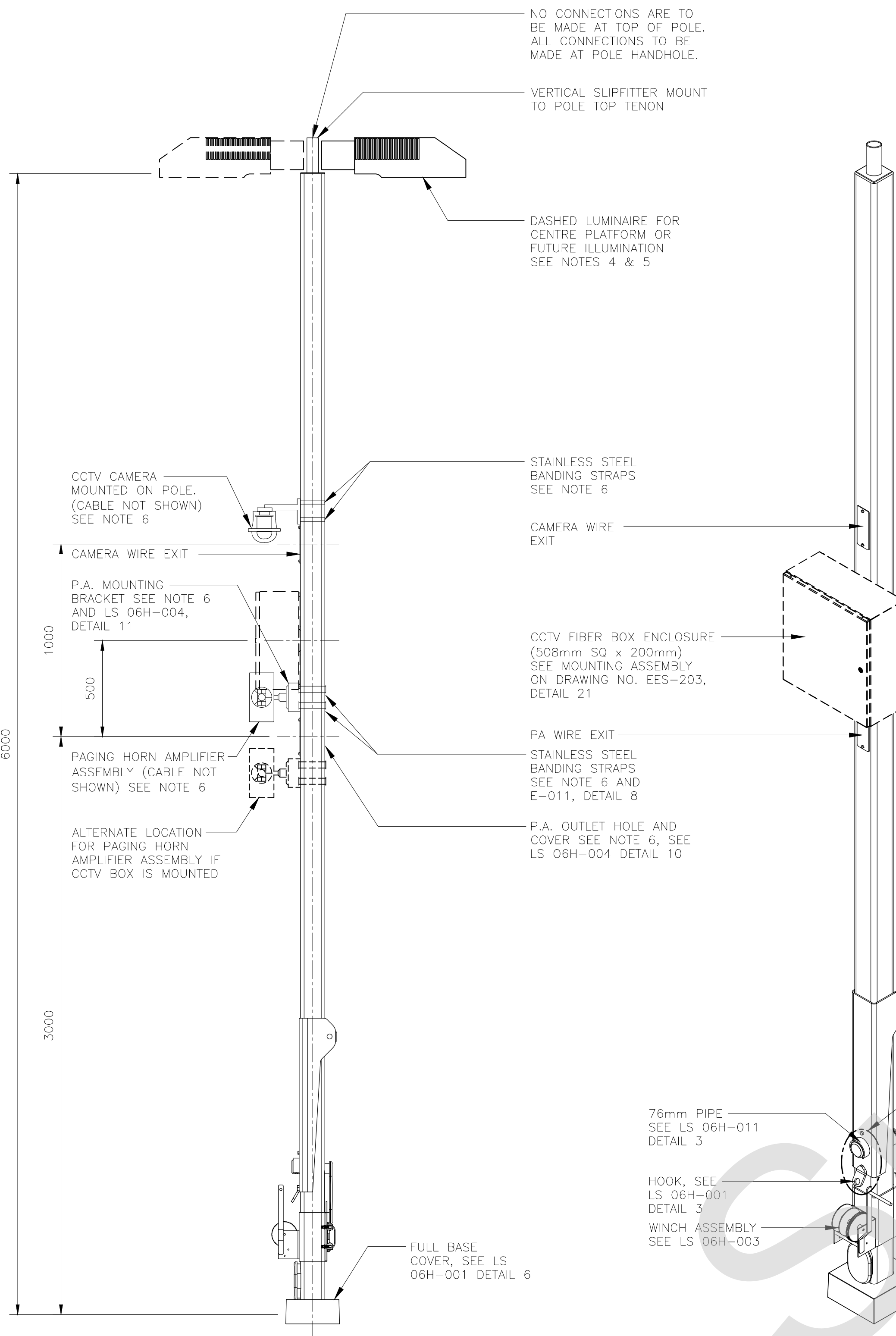


METRIC

ALL DIMENSIONS SHOWN ARE IN METRES AND/OR MILLIMETRES UNLESS OTHERWISE NOTED.

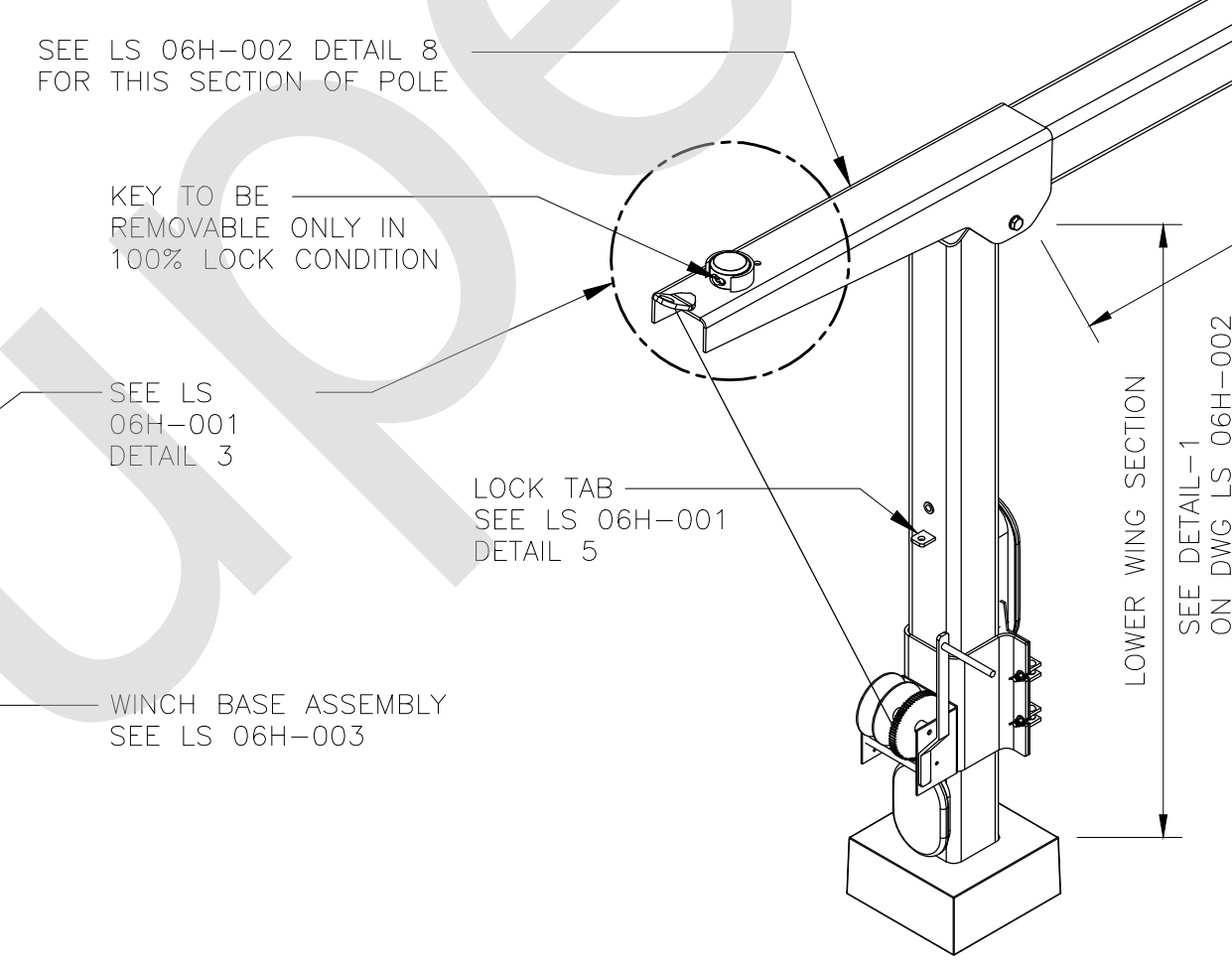
GENERAL NOTES:

1. THIS TYPICAL 6m STRAIGHT SQUARE GALVANIZED STEEL POLE ASSEMBLY IS GENERAL GUIDANCE FOR ELECTRICAL INSTALLATION APPLICABLE TO PLATFORM, BUS LOADING, KISS & RIDE AND WALKWAY AREA LIGHTING. FOR CONCRETE FOUNDATION REQUIREMENT, REFER TO LAYOUT DRAWINGS AND CONCRETE FOUNDATION REINFORCEMENT TABLE ON STANDARD DRAWING LS 06H-004.
2. FOR APPLICABLE LUMINAIRE MOUNTING HEIGHTS SEE NOTE 1 ABOVE.
3. THE HORIZONTAL AND VERTICAL TRACK CLEARANCES FOR ALL PLATFORM LIGHTING POLE INSTALLATIONS SHALL COMPLY WITH THE LATEST CANADIAN NATIONAL AND/OR CANADIAN PACIFIC RAILWAYS STANDARD CLEARANCE DIAGRAM. THE DESIGNER TO DETERMINE EXACT DISTANCE AND MUST OBTAIN WRITTEN APPROVALS BEFORE ANY WORK IS STARTED.
4. SECOND LUMINAIRE IS USUALLY NECESSARY FOR CENTRE PLATFORM LIGHTING OR AS DETERMINED BY SITE CONDITIONS; REFER TO LAYOUT DRAWINGS.
5. 150 WATT HPS LUMINAIRE WITH INTERNAL 150 WATT, 120 VOLT BALLAST AND 150 WATT CLEAR HPS LAMP, MATERIAL AND FINISH AS PER SPECIFICATION. COLOR TO BE PLATINUM SILVER. LUMINAIRE MANUFACTURER TO SUPPLY VERTICAL SLIP FITTER MOUNTS.
6. P.A. HARDWARE AND WIRING SUPPLIED AND INSTALLED AS SPECIFIED. FOR EXACT LOCATION OF SPEAKERS, REFER TO LAYOUT DRAWINGS.
7. GROUNDING RODS TO BE LOCATED AT BASE OF EVERY OTHER POLE OR EVERY 50m (PLATFORM ONLY.)
8. ORIENTATE POLE SUCH THAT POLE SWING PARALLEL TO TRACK.
9. LIGHTING POLE CONSTRUCTION AND COMPONENTS SHALL BE HOT DIP GALVANIZED STEEL C.S.A. G40.21-44 W MINIMUM WITH 50ksi YIELD
10. SEE ELECTRICAL SPECIFICATIONS FOR ALL WELDING, WIND SPEED AND EPA STANDARDS.
11. ALL FASTENERS TO BE STAINLESS STEEL EXCEPT WHERE NOTED OTHERWISE.
12. POLE MANUFACTURER SHALL SUPPLY BOLTS, NUTS AND WASHERS TO TO SUIT DESIGN SPECIFIED IN NOTE 10 ABOVE.
13. SEE DRAWING LS 06H-004 FOR POLE CONCRETE FOUNDATION DETAIL.

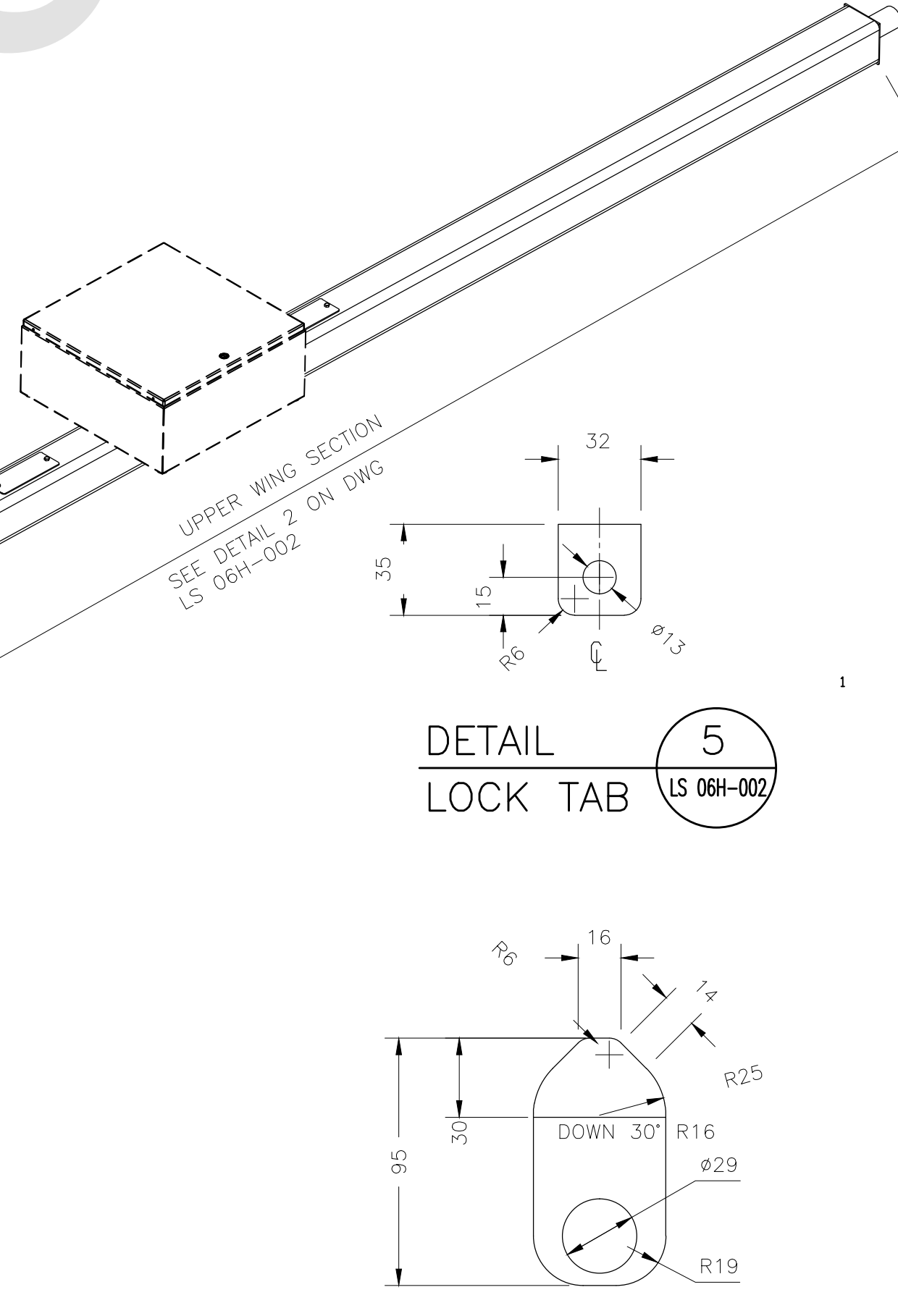


DETAIL 6 FULL BASE COVER

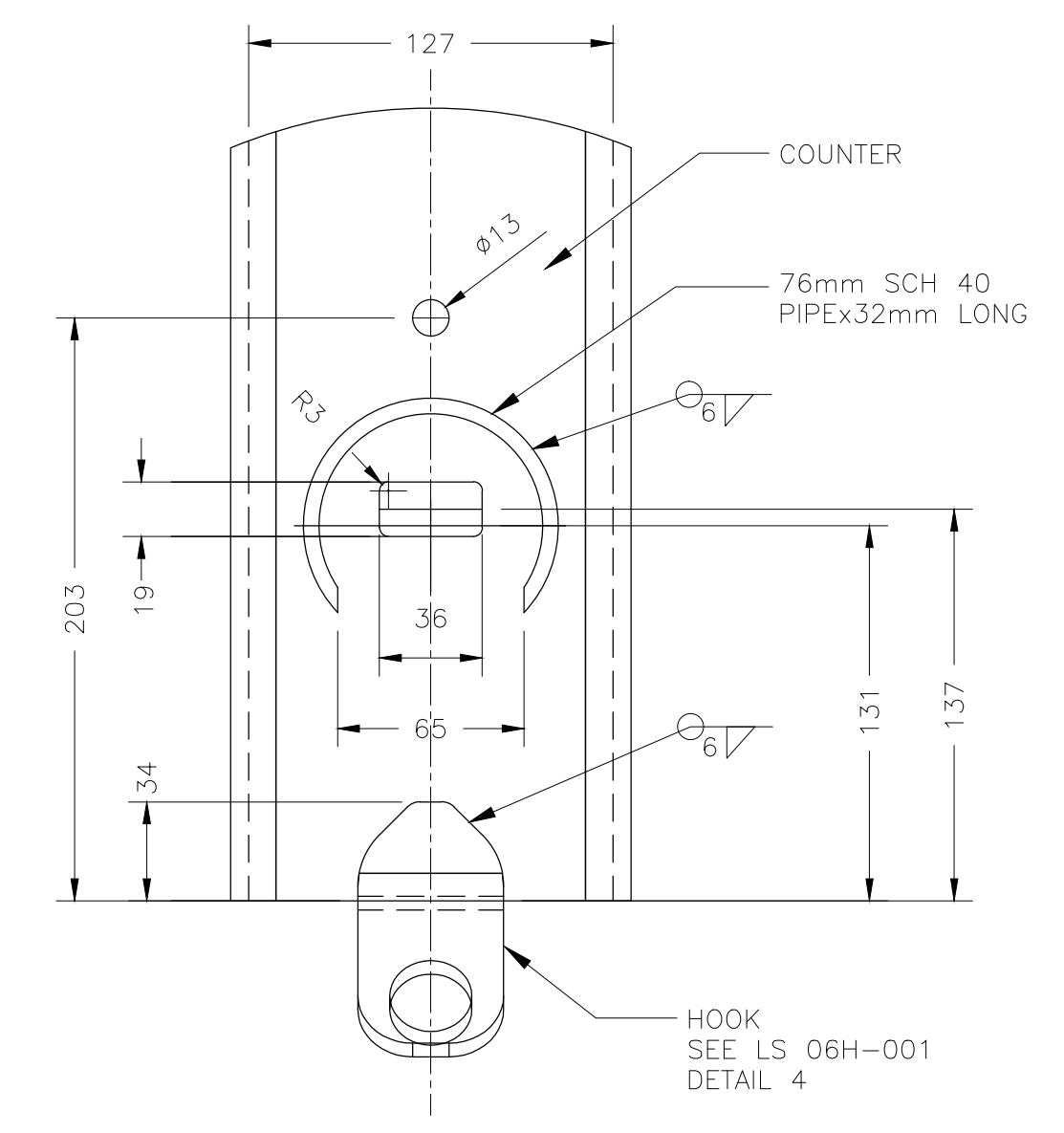
NOTE: THIS DRAWING IS PROVIDED FOR INSTRUCTIONAL DESIGN PURPOSES ONLY BASED ON METROLINX GO TRANSIT DESIGN GUIDELINES AND REQUIREMENTS. THE CONSULTANT SHALL VERIFY FOR LOCAL CODE COMPLIANCE, EXISTING SITE CONDITIONS AND INTER DISCIPLINARY DRAWING COORDINATION. ALL DIMENSIONS AND SPECIFICATIONS SHOULD BE VERIFIED BY CONSULTANT AND/OR CONTRACTOR BEFORE ACTUAL CONSTRUCTION BEGINS.



ISOMETRIC VIEW B TYPICAL PLATFORM LIGHTING POLE ASSEMBLY



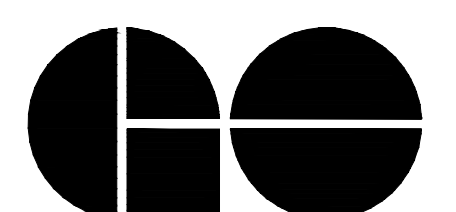
DETAIL 4 HOOK LS 06H-002



DETAIL 3 HOOK LS 06H-002

ELEVATION A TYPICAL PLATFORM LIGHTING POLE ASSEMBLY

METROLINX PROJECT NO. XXXXXX

REFERENCE DRAWINGS	ISSUE	REVISIONS	DRAWN BY:	DESIGNED BY:	A Division of METROLINX		XXXXXXX STATION	
			X.X.X. YY/MM/DD	YY/MM/DD			6M LIGHT STANDARD-HINGED POLE	
			CHECKED BY:	APPROVED BY:			STANDARD DETAILS	
			YY/MM/DD	YY/MM/DD	SCALE: 1:XXX FULL SIZE ONLY		CONTRACT NO.	DWG. NO.
DWG. NO.	TITLE	NO. DATE	ISSUED FOR	REV. DATE			XX-200X-EN-XXX	LS 06H-001
							REV. 1	SHEET 1